

# **VACALL**

---

## *Illustrated Parts Manual*

### *Model Vacall VS/VC*

Starting Serial No.  
VAC0001001 & After

**P/N - VA0000S4696**

*Original Issue  
July 2, 2010*

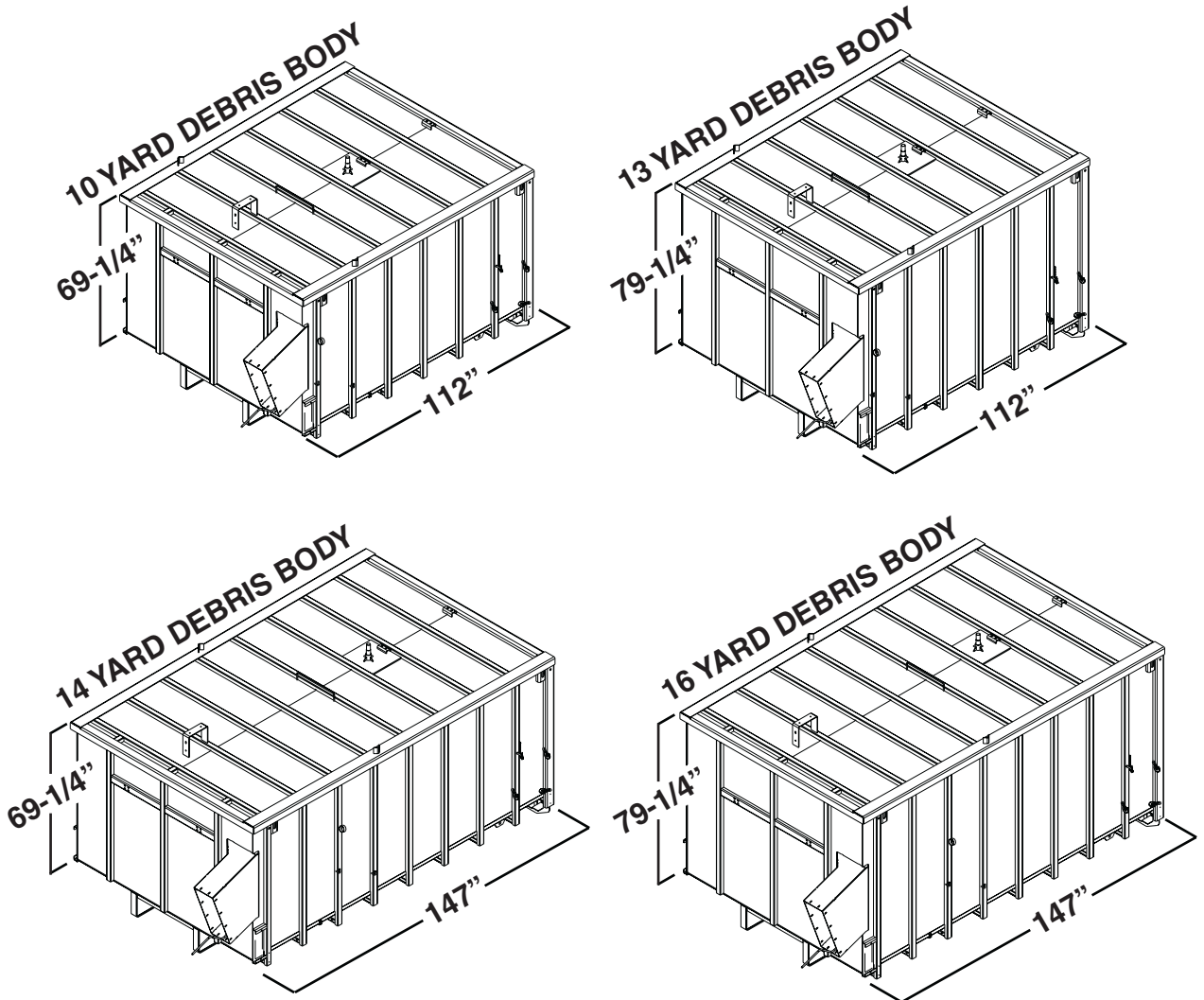


# UNDERSTANDING YOUR MANUAL

This parts manual is a combination of the AllJetVac VC & VS models. Vacall VC units are Catch Basin units only. Vacall VS units are Sweeper Units only. Furthermore, the models are broken down into debris body sizes. There are four sizes listed throughout this manual. They are 10, 13, 14 & 16 yard debris bodies. It is important that you understand how to accurately locate information for your particular machine. The following information is a guideline for navigating this manual.

## Model Designation

The model numbers 10, 13, 14 & 16 are identification numbers used for determining what type of unit you are using. For the Vacall VC10 model, the 10 denotes how many yards of debris the body can hold, while the VC denotes this is a catch basin unit with no sweep gear. For the Vacall VS10 model, the 10 denotes how many yards of debris the debris body can hold, while the VS denotes this is a sweeper unit (catch basin unit plus sweep gear). If you are not sure which unit you are using, you can measure the length & Height of the debris body from the front wall to the rear wall & the bottom plate to the top plate to determine which model you have. The specific dimensions of each debris body size are shown below..




# UNDERSTANDING YOUR MANUAL


## Model Designation in Page Titles and Parts Lists

If the title of a page lists a machine model or models, the illustration(s) and parts on those pages apply only to the models listed. If no models are shown in the title, then the illustration(s) and parts on those pages apply to all models. Similar model designation can appear in the parts list(s), as well. The following examples illustrate these scenarios.

In this example, the illustration and parts located on the page(s) apply to all models, since no models are designated in the title of the page.

				<b>BODY</b>	
<b>Figure 1-1 Body</b>					
Item	Part Number	Qty.	Description	Rev.	
	VA6502-0010C	1	R.H. TAILGATE LATCH ASSY, (items 4-12, 15, 32-36)		
	VA6502-0016C	1	HYDRAULIC LATCH ASSY, (items 4-12, 15, 32-35)		

On some pages that apply to all models, the parts list may include multiple part numbers for one item that includes a model in their description. In these cases, the part number to be used is the one whose description includes the model of your particular machine. An example is shown below:

				<b>BODY</b>	
<b>Figure 1-2 Internal Body Components</b>					
Item	Part Number	Qty.	Description	Rev.	
	VA6895-0020D	1	INPUT TUBE ASSY, 10 & 14 YD, (items 15-19)		
	VA6895-0021D	1	INPUT TUBE ASSY, 13 & 16 YD, (items 15-19)		

# UNDERSTANDING YOUR MANUAL


## Serial Number Breaks

Serial number breaks are located in the manual to help identify what component applies to your machine when multiple parts are shown. The following examples show serial number breaks you will encounter and how to interpret them.

*(Note: The machine(s) serial number can be found on the serial number plate located on the Chassis Frame Rail underneath the Debris Body.*


---

The parts located on the page shown in this example would apply to all models listed whose machine serial number(s) falls *before* the serial number(s) shown. This does **not** include the serial number(s) shown in the list.

	<b>ENGINE &amp; ATTACHING PARTS</b>	Before S/N 3613
Figure 4-8 Clutch		

---

The parts located on the page shown in this example would apply to all models listed whose machine serial number(s) falls *after* the serial number(s) shown. This also includes the serial number(s) shown in the list.

	<b>ENGINE &amp; ATTACHING PARTS</b>	S/N 3613 & After
Figure 4-8 Clutch		

---

## UNDERSTANDING YOUR MANUAL

### **View and download this manual and others, for free, online!**

Gradall Industries Inc. has introduced a new Vacall web site designed to make the full range of manuals for Vacall models available very quickly via pdf downloads at **[www.vacallindustries.com](http://www.vacallindustries.com)**.

On this web site, fleet managers as well as parts, service and training managers can quickly access the full library of manuals available for virtually every Vacall unit — from Vacall VS/VC Sweepers and catch basins to AllJetVac 1015/1215 models.

In the **[www.vacallindustries.com](http://www.vacallindustries.com)** web site, click the **Product Support** tab, then the **Manuals** tab and you can review and download pdf files of all available manuals. Or, you can purchase manuals on CDs.

# TABLE OF CONTENTS

FIGURE NO.	TITLE	PAGE NO.
<b>SECTION 1 - BODY</b> . . . . . <b>1-1</b>		
	Body . . . . .	1-2
	Internal Body Components . . . . .	1-4
	Body - Screen Washer . . . . .	1-8
	Body Vibrator . . . . .	1-10
	Body Overload Indicator . . . . .	1-12
	Tailgate . . . . .	1-16
	Tailgate Deflectors & Baffle . . . . .	1-18
	Hydraulic Tailgate Latch . . . . .	1-20
<b>SECTION 2 - BOOM</b> . . . . . <b>2-1</b>		
	Power Boom Installation . . . . .	2-2
	Boom Assembly . . . . .	2-4
	Stub Boom Assembly . . . . .	2-6
	Intake Hose Assembly . . . . .	2-8
	Catch Basin & Extension Tubes . . . . .	2-14
	VC Front Boom . . . . .	2-18
	Boom Swing Arm & Pivot Shaft Assy . . . . .	2-20
	Boom Arm . . . . .	2-22
<b>SECTION 3 - ATTACHMENTS</b> . . . . . <b>3-1</b>		
	Broom Linkage Assy - R.H. & L.H. . . . .	3-2
	Gutter Broom & Drive . . . . .	3-4
	Transfer Broom . . . . .	3-6
	Gutter Broom Lift Cylinder . . . . .	3-10
	Gutter Broom Motor . . . . .	3-12
	Transfer Broom Motor . . . . .	3-14
	Body Adapter Assy . . . . .	3-16
	Nozzle Linkage Assy . . . . .	3-18
	42" Nozzle Assy . . . . .	3-20
	48" Nozzle Assy . . . . .	3-22
	Nozzle Pick-Up Tube Assy . . . . .	3-24
	Nozzle & Transfer Broom Cylinder . . . . .	3-26
	Deflector Brush . . . . .	3-28
<b>SECTION 4 - ENGINE &amp; ATTACHING PARTS</b> . . . . . <b>4-1</b>		
	Engine Assy . . . . .	4-2
	Air Cleaner Assy . . . . .	4-8
	Exhaust Assy . . . . .	4-10
	Fuel Tanks . . . . .	4-18
	Filter . . . . .	4-20
	Trans-Fluid Coupling . . . . .	4-22
	Clutch Linkage . . . . .	4-24
	Clutch . . . . .	4-26

# TABLE OF CONTENTS

FIGURE NO.	TITLE	PAGE NO.
<b>SECTION 5 - CONTROLS</b> ..... <b>5-1</b>		
	Sweeper Cab Controls .....	5-2
	Remote Sweeper Controls .....	5-4
<b>SECTION 6 - HYDRAULIC CIRCUITS</b> ..... <b>6-1</b>		
	Body Hoist Assy - Single .....	6-2
	Body Hoist Assy - Dual .....	6-4
	Body Hoist Assy - Single Cylinder .....	6-6
	Body Hoist Assy - Double Cylinder .....	6-8
	Body Hoist Valve Assy .....	6-10
	Stub Boom Hydraulics .....	6-12
	Engine Driven Power Boom .....	6-14
	Street Flusher .....	6-16
	Street Flusher Pump .....	6-18
<b>SECTION 7 - HYDRAULIC COMPONENTS</b> ..... <b>7-1</b>		
	Hoist Cylinder .....	7-2
	Hydraulic Boom Cylinder .....	7-8
	Stub Boom Cylinder .....	7-10
	Front Boom Lift Cylinder .....	7-12
	Front Boom Rotate Cylinder .....	7-14
	Front Boom Telescoping Cylinder .....	7-16
	Hydraulic Gear Pump .....	7-18
	Boom Pump .....	7-20
	Body Hoist Control Valve .....	7-22
	Single Sweeper Main Control Valve .....	7-24
	Dual Sweeper Main Control Valve .....	7-26
	Directional Control Valve - Body Up/Down .....	7-30
	Dual Cross-Over Relief Valve - Body Hoist .....	7-32
	Unloading Valve w/Auto Raise .....	7-34
<b>SECTION 8 - WATER CIRCUITS</b> ..... <b>8-1</b>		
	Jetting Pump Drive Assy .....	8-2
	Rear Jetting Station & Gun .....	8-10
	Sweeper Water System .....	8-12
	Sweeper Nozzle - Transfer Broom .....	8-16
	Water Tank Fill Assy .....	8-18
	Water Tank Fill Piping Assy - Front Boom .....	8-20
<b>SECTION 9 - WATER COMPONENTS</b> ..... <b>9-1</b>		
	Frame - Water Tank & Silencer .....	9-2
	Mounting Pad Assy .....	9-4
	Engine & Water Tank Mount .....	9-6
	Water Tank Assy .....	9-8



# TABLE OF CONTENTS

<b>FIGURE NO.</b>	<b>TITLE</b>	<b>PAGE NO.</b>
	300 GAL Water Tank Assy - Font Boom .....	9-16
	Blower Assy .....	9-18
	Blower Drive Assy .....	9-20
	Silent Vac Assy .....	9-24
	Water Solenoid Valve .....	9-28
	Jetting Pump .....	9-30
	Jetting Pump Clutch .....	9-32
	Jetting Pump w/Electric Clutch .....	9-34
<b>SECTION 10 - ELECTRICAL</b> .....		<b>10-1</b>
	Single Sweeper Wiring Panel w/Auto Raise .....	10-2
	Dual Sweeper Wiring Panel w/Auto Raise .....	10-4
	Single Sweeper Hydraulic Box .....	10-6
<b>SECTION 11 - DECALS</b> .....		<b>11-1</b>
	Decals .....	11-2
	Rocker Switch Decals .....	11-8
	Accessories .....	11-10
<b>SECTION 12 - OPTIONS</b> .....		<b>12-1</b>
<b>SECTION 13 PART NUMBER INDEX</b> .....		<b>13-1</b>

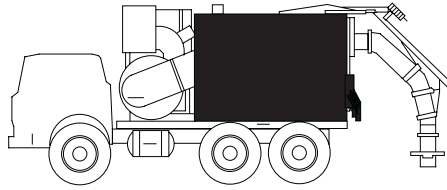
# TABLE OF CONTENTS

**FIGURE NO.** **TITLE** **PAGE NO.**

---

---

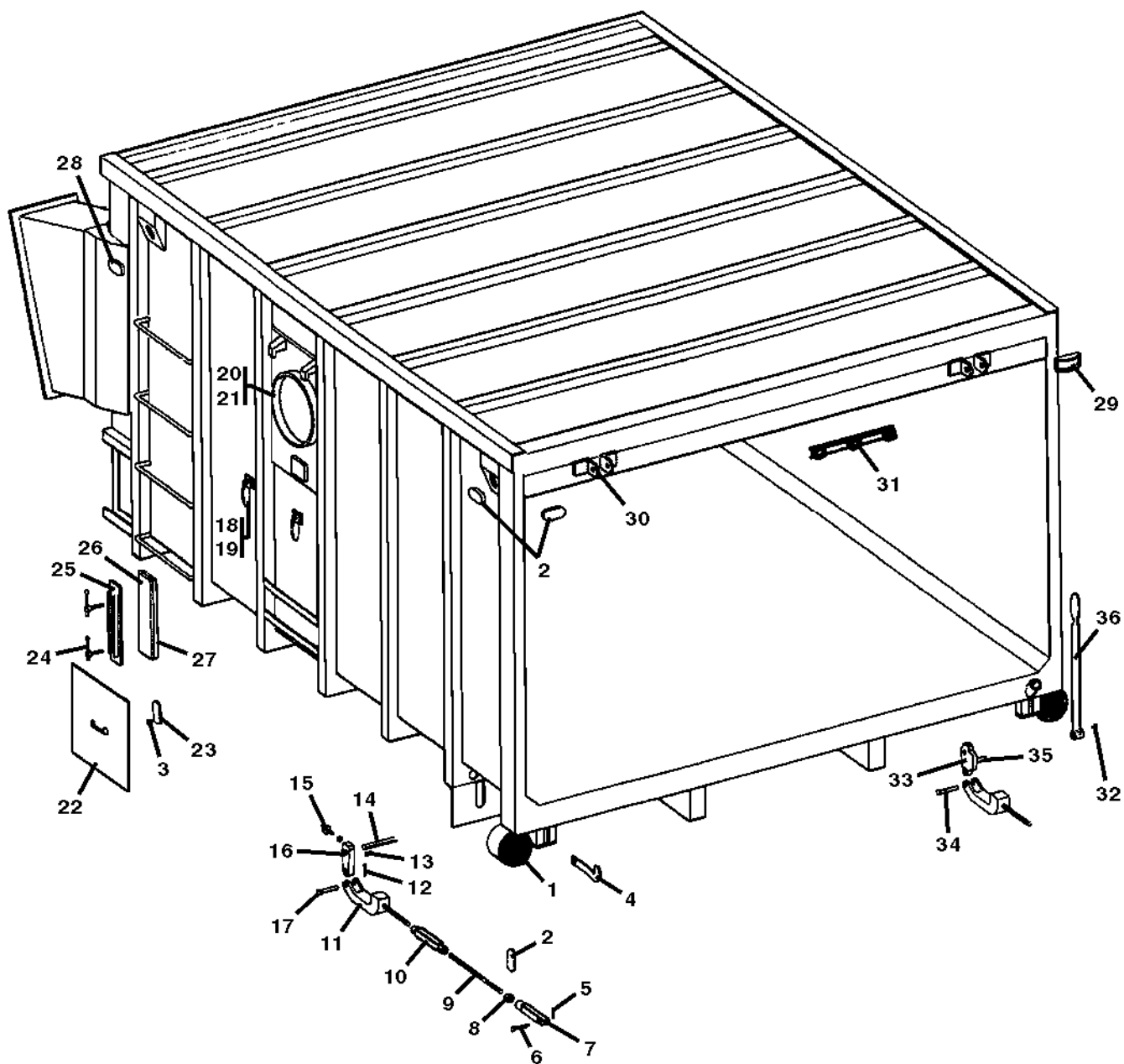
# SECTION 1 -BODY



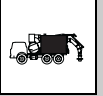


# BODY

## Body



PAM0430



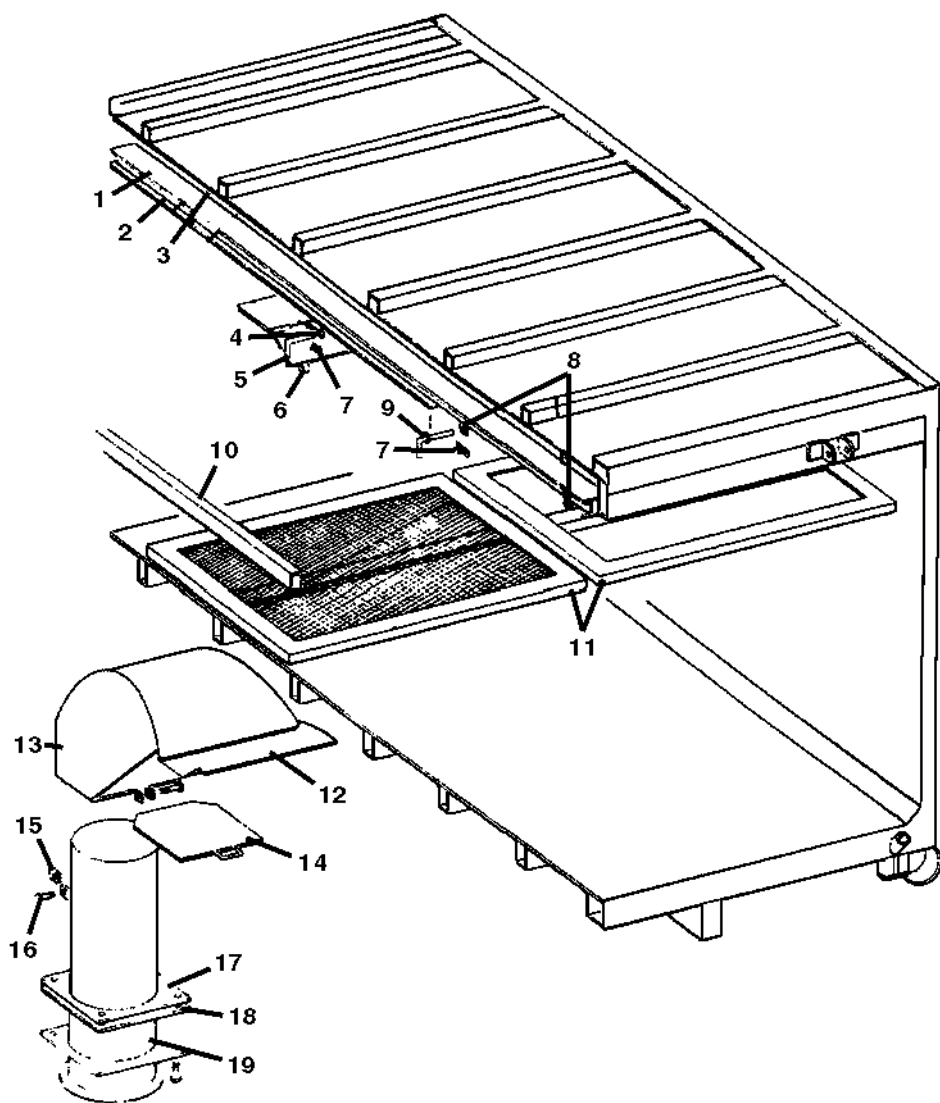
**Body**

Item	Part Number	Qty.	Description	Rev.
	VA6502-0010C	1	R.H. TAILGATE LATCH ASSY, (items 4-12, 15, 32-36)	
	VA6502-0016C	1	HYDRAULIC LATCH ASSY, (items 4-12, 15, 32-35)	
	VA38555	2	RED TAIL LIGHT	
2	VA2762-0002A	2	RED REFLECTOR	
3	VAF4117	8	SELF-TAPPING SCREW, #8X3/4	
4	VA4502-0001B	2	TAILGATE LATCH	
5		2	COTTER PIN, 5/32X1-1/4	
6	VA2722-0001A	2	CLEVIS PIN	
7	VA2998-0001A	2	END YOKE	
8	VAF3625	2	JAM NUT, 3/4	
9	VA4784-0041A	2	TURN BUCKLE STUB ROD	
10	VA2897-0001A	2	TURN BUCKLE	
11	VA8105-0003B	2	CAM ARM ASSY	
12	VA2722-0517	2	COTTER PIN	
13	VA2498-0019	2	KEY	
14	VA4820-0054A	1	TAILGATE LOCK SHAFT	
15	VAF0330	2	CAPSCREW, 3/8X1-1/4	
16	VA4040-0021A	1	SWIVEL ARM	
17	VA2722-0418A	1	CLEVIS PIN	
	VA6502-0009C		L.H. TAILGATE LATCH ASSY, (items 4-13 & 15-17)	
18	VA6801-0017A	16	SPINDLE ASSY	
19	VA6127-0017A	4	CLAMP COVER ASSY, (items 18-19)	
20	VA2127-0145	2	CLAMP GASKET	
21	VA4302-0066A	2	PORTHOLE GASKET	
22	VA8139-0099C	2	PORTHOLE COVER	
23	VA2762-0001A	2	AMBER REFLECTOR	
24	VA2815-0001A	4	CLAMP SCREW	
25	VA8127-0035B	2	COVER PLATE CLAMP WELDMENT	
26	VA4139-0073A	2	COVER PLATE	
27	VA4302-0073A	2	GASKET	
	VA8139-0102A	2	CLEAN OUT COVER PLATE WELDMENT, (items 26 & 27)	
28	VA16131	2	AMBER CLEARANCE LIGHT	
29	VA16132	4	RED CLEARANCE LIGHT	
30	VA2372-0021A	2	BODY HINGE	
31	VA2522-0039A	1	CLUSTER LIGHT	
32	VA2722-0548	1	COTTER PIN	
33	VA8105-0004B	1	R.H. TAILGATE LOCKING CAM WELDMENT	
34	VA2722-0417	1	CLEVIS PIN	
35	VA4723-0077A	1	CLEVIS TAILGATE LATCH PIN	
36	VA8352-0019B	1	HANDLE	

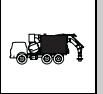


# BODY

## Internal Body Components



PAM0440



**Internal Body Components**

Item	Part Number	Qty.	Description	Rev.
1	VA6895-0020D	1	INPUT TUBE ASSY, 10 & 14 YD, (items 15-19)	
	VA6895-0021D	1	INPUT TUBE ASSY, 13 & 16 YD, (items 15-19)	
	VAE-4309-13	1	CENTER TRACK ASSY, 10 & 13 YD, OLD STYLE CHANNEL	
	VA8890-0006C	1	CENTER TRACK ASSY, 10 & 13 YD, H.R.S, NEW STYLE ANGLE	
	VA8890-0007C	1	CENTER TRACK ASSY, 10 & 13 YD, CORTEN, NEW STYLE ANGLE	
	VA8890-0009C	1	CENTER TRACK ASSY, 10 & 13 YD, STAINLESS, NEW STYLE ANGLE	
	VAE-4309-16	1	CENTER TRACK ASSY, 14 & 16 YD, OLD STYLE CHANNEL	
	VA8890-0005C	1	CENTER TRACK ASSY, 14 & 16 YD, H.R.S, NEW STYLE ANGLE	
	VA8890-0008C	1	CENTER TRACK ASSY, 14 & 16 YD, CORTEN, NEW STYLE ANGLE	
	VA8890-0010C	1	CENTER TRACK ASSY, 14 & 16 YD, STAINLESS, NEW STYLE ANGLE	
	VA8890-0011C	1	CENTER TRACK ASSY, 20 YD, STAINLESS, H.R.S, NEW STYLE ANGLE	
	VA4727-1043B	1	CENTER TRACK PLATE, 10 & 13 YD, H.R.S.	
	VA4727-1049B	1	CENTER TRACK PLATE, 10 & 13 YD, CORTEN	
	VA4727-1097B	1	CENTER TRACK PLATE, 10 & 13 YD, STAINLESS STEEL	
	VA4727-1041B	1	CENTER TRACK PLATE, 14 & 16 YD, H.R.S.	
	VA4727-1050B	1	CENTER TRACK PLATE, 14 & 16 YD, CORTEN	
	VA4727-1098B	1	CENTER TRACK PLATE, 14 & 16 YD, STAINLESS STEEL	
	VA4727-1325B	1	CENTER TRACK PLATE, 20 YD, H.R.S.	
	2	VA4120-0235B	1	L.H. CENTER TRACK, 10 & 13 YD, H.R.S., OLD STYLE CHANNEL
VA4032-0651A		1	L.H. CENTER TRACK, 10 & 13 YD, CORTEN, NEW STYLE ANGLE	
VA4032-0681A		1	L.H. CENTER TRACK, 10 & 13 YD, STAINLESS, NEW STYLE ANGLE	
VA4120-0243B		1	L.H. CENTER TRACK, 14 & 16 YD, H.R.S., OLD STYLE CHANNEL	
VA4032-0650A		1	L.H. CENTER TRACK, 14 & 16 YD, CORTEN, NEW STYLE ANGLE	
VA4032-0682A		1	L.H. CENTER TRACK, 14 & 16 YD, STAINLESS, NEW STYLE ANGLE	
3	VA4032-0746A	1	L.H. CENTER TRACK, 20 YD, H.R.S., NEW STYLE ANGLE	
	VA4120-0236B	1	R.H. CENTER TRACK, 10 & 13 YD, H.R.S., OLD STYLE CHANNEL	
	VA4032-0651A	1	R.H. CENTER TRACK, 10 & 13 YD, CORTEN, NEW STYLE ANGLE	
	VA4032-0681A	1	R.H. CENTER TRACK, 10 & 13 YD, STAINLESS, NEW STYLE ANGLE	
	VA4120-0244B	1	R.H. CENTER TRACK, 14 & 16 YD, H.R.S., OLD STYLE CHANNEL	
	VA4032-0650A	1	R.H. CENTER TRACK, 14 & 16 YD, CORTEN, NEW STYLE ANGLE	
4	VA4032-0682A	1	R.H. CENTER TRACK, 14 & 16 YD, STAINLESS, NEW STYLE ANGLE	
	VA4032-0746A	1	R.H. CENTER TRACK, 20 YD, H.R.S., NEW STYLE ANGLE	
	VA8504-0005A	1	LATCH PIN RETAINER, OLD STYLE CHANNEL	
5	VA8768-0018A	1	LATCH PIN RETAINER, 10 & 13 YD, NEW STYLE ANGLE	
	VA8768-0019A	1	LATCH PIN RETAINER, 14 & 16 YD, NEW STYLE ANGLE	
	VA4723-0080A	1	BAFFLE PIN	
6	VA8052-0004B	1	BAFFLE ASSY, 10 & 13 YD	
	VA8052-0005B	1	BAFFLE ASSY, 14 & 16 YD	
7	VA2352-0001A	8	COTTER PIN	
8	VA4545-0114A	14	PIN LUG	
	VA4545-0123A	14	PIN LUG, STAINLESS STEEL	
9	VA8722-0043A	2	SCREEN PIN, FOR OLD STYLE CHANNELS	
	VA8722-0052A	7	SCREEN PIN, FOR NEW STYLE ANGLES	
10	VA4120-0234B	2	TRACK SCREEN, 10 & 13 YD, H.R.S.	
	VA4120-0338A	2	TRACK SCREEN, 10 & 13 YD, STAINLESS	
	VAE-3921-4	2	TRACK SCREEN, 10 & 13 YD, CORTEN	
	VA4120-0245B	2	TRACK SCREEN, 14 & 16 YD, H.R.S.	
	VA4120-0387B	2	TRACK SCREEN, 14 & 16 YD, CORTEN	
	VA4120-0337A	2	TRACK SCREEN, 14 & 16 YD, STAINLESS	

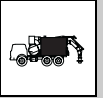


# BODY

## Internal Body Components (Continued)

Item	Part Number	Qty.	Description	Rev.
11	VA8810-0020C	6	STAINLESS PERFORATED SCREEN, 10 & 13 YD	
		8	STAINLESS PERFORATED SCREEN, 14 & 16 YD	
	VA8810-0025C	6	EXPANDED METAL FOR SWEEPER SCREEN, 10 & 13 YD	
		8	EXPANDED METAL FOR SWEEPER SCREEN, 14 & 16 YD	
12	VA8810-0026C	8	EXPANDED STAINLESS SCREEN	
	VA4523-0020B	1	WEAR LINER	
	VAF5675	3	ALIEN SCREW, 3/8-16X1	
	VAF7250	3	FLAT WASHER	
	VAF7875	3	LOCKWASHER	
	VAF2975	3	HEX NUT	
	13	VA6162-0010C	1	DEFLECTOR w/LINER, 10 & 13 YD
VA6162-0009C		1	DEFLECTOR w/LINER, 14 & 16 YD	
VA8162-0028C		1	DEFLECTOR w/o LINER, 10 & 13 YD	
VA8162-0027C		1	DEFLECTOR w/o LINER, 14 & 16 YD	
14	VA8762-0015A	1	COVER PLATE	
15	VA4089-0023A	2	BAR TIE	
16		7	CAPSCREW, 1/2X2	
17	VA4277-0097A	1	INSIDE TUBE FLANGE	
18	VA4302-0076A	1	FLANGE GASKET	
19	VA8897-0173B	1	INPUT TUBE, 10 & 14 YD	
	VA8897-0175B	1	INPUT TUBE, 13 & 16 YD	





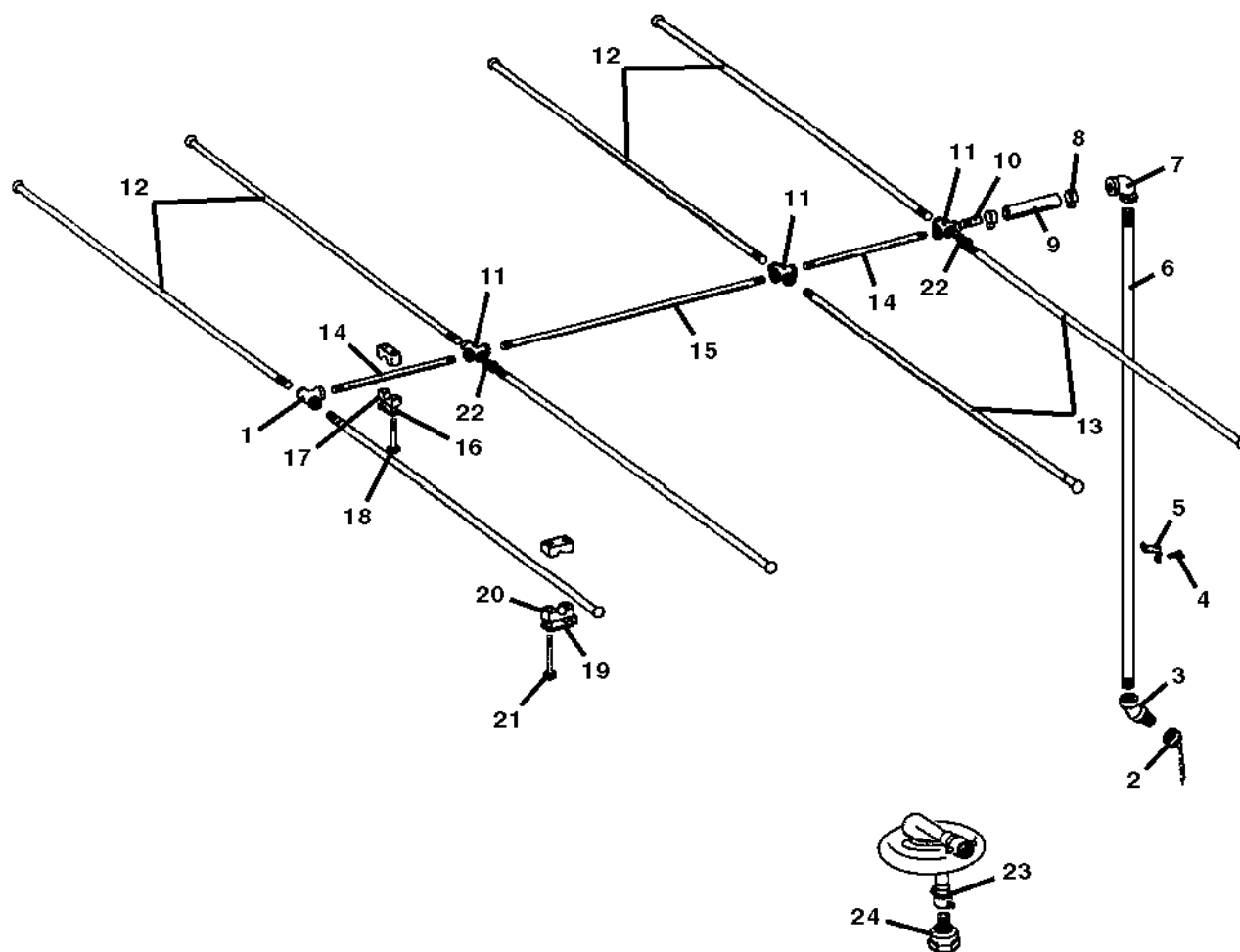
**Internal Body Components (Continued)**

Item	Part Number	Qty.	Description	Rev.

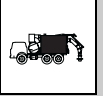


# BODY

## Body - Screen Washer



PAM0450



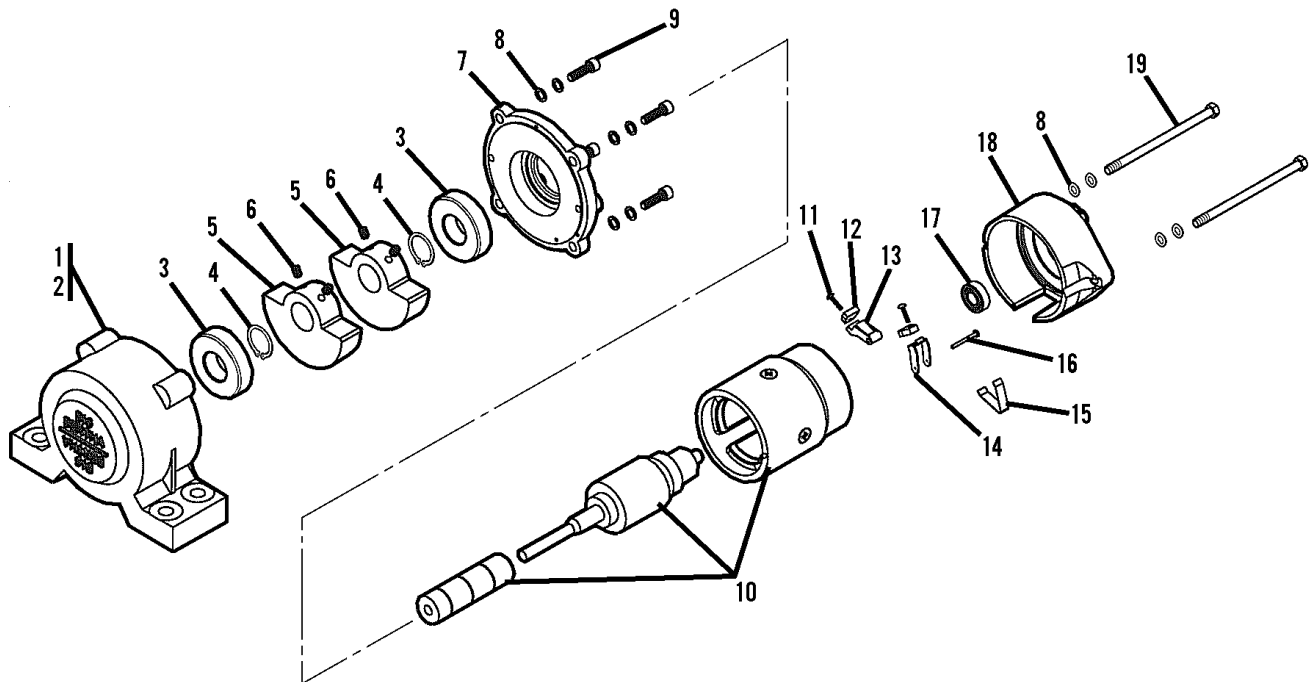
**Body - Screen Washer**

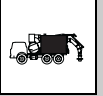
Item	Part Number	Qty.	Description	Rev.
	VA6552-0003A	1	MANIFOLD ASSY, (items 1, 10, 11, 14, 15 & 22)	
	VA6807-0010D	1	SCREEN WASHER ASSY, 10 YD, (items 1-22)	
	VA6807-0013D	1	SCREEN WASHER ASSY, 13 YD, (items 1-22)	
	VA6807-0014D	1	SCREEN WASHER ASSY, 14 YD, (items 1-22)	
	VA6807-0016D	1	SCREEN WASHER ASSY, 16 YD, (items 1-22)	
1	VA5175-0024	1	TEE	
2	VA6104-0003A	1	GALVANIZED CAP & CHAIN ASSY	
3	VA5181-0024	1	ELBOW	
4	VAF4423	2	SELF-TAPPING MACHINE SCREW, 3/8X5/8	
5	VA2127-0081A	1	PIPE STRAP	
6	VA5208-2435	1	PIPE, 10 YD	
		1	PIPE, 14 YD	
	VA5208-2476	1	PIPE, 13 YD	
		1	PIPE, 16 YD	
7	VA5178-0024	1	ELBOW	
8	VA2127-0017A	2	HOSE CLAMP	
9	VA5358-2406	1	HOSE	
10	VA5112-0024	1	NIPPLE	
11	VA5183-0024	3	CROSS	
12	VA8897-0053A	4	SPRAY TUBE ASSY, 10 YD	
		4	SPRAY TUBE ASSY, 13 YD	
	VA8897-0054A	8	SPRAY TUBE ASSY, 14 YD	
		8	SPRAY TUBE ASSY, 16 YD	
13	VA8897-0052A	4	SPRAY TUBE ASSY, 10 YD	
		4	SPRAY TUBE ASSY, 13 YD	
14	VA5208-2474	2	PIPE	
15	VA5208-2475	1	MANIFOLD ASSY	
16	VA2727-0006A	2	COVER PLATE, 1-1/2"	
17	VA2127-0072A	4	HALF CLAMP, 1-1/2"	
18	VAF0826	4	CAPSCREW, 7/16X4	
19	VA2127-0071A	16	HALF CLAMP, 3/4"	
20	VA2727-0005A	8	COVER PLATE, 3/4"	
21	VAF0500	16	CAPSCREW, 3/8X2-1/4	
22	VA5182-2416	8	REDUCER BUSHING	
23	VA3386-6101A	1	FILL HOSE, 1-1/2X12', 6" LONG	
	VA3386-6102A	1	FILL HOSE, 1-1/2X15' LONG	
	VA3386-6103A	1	FILL HOSE, 1-1/2X25' LONG	
	VA3386-6104A	1	FILL HOSE, 1-1/2X50' LONG	
24	VA2272-0004A	1	HYDRANT COUPLING	



# BODY

## Body Vibrator





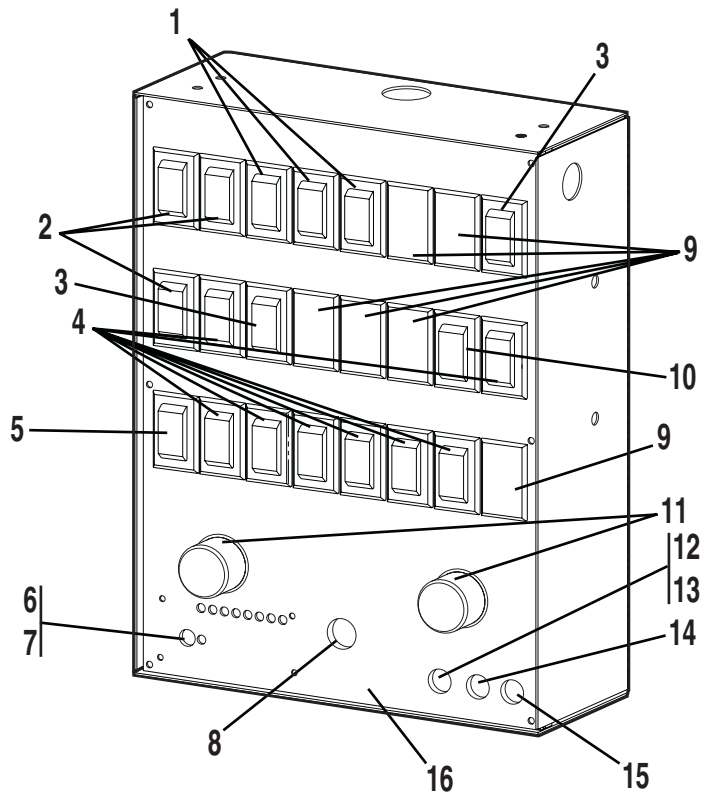
**Body Vibrator**

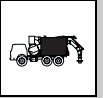
Item	Part Number	Qty.	Description	Rev.
	VA601788	1	BODY VIBRATOR ASSY, (all items)	
1	VA0000S4078	1	MOUNTING PLATE	
2	VA0000S4350	1	MACHINED HOUSING	
3	VA0000S4351	2	BEARING	
4	VA0000S4352	2	SNAP RING	
5	VA0000S4353	2	ECCENTRIC	
6	88221082	4	HEX SOCKET SETSCREW, 3/8-16X1/2	
7	VA0000S4354	1	MOUNTING COVER	
8	VA0000S4355	12	DISC LOCK	
9	88211072	4	SOCKET HD CAPSCREW, 3/8-16X1-1/4, GR8	
10	VA0000S4356	1	MOTOR ASSY	
11	VA0000S4357	4	SCREW	
12	VA0000S4358	4	BRUSH	
13	VA0000S4359	2	BRUSH HOLDER, PLASTIC	
14	VA0000S4360	2	BRUSH HOLDER, METAL	
15	VA0000S4361	2	SPRING	
16	VA0000S4362	2	PIN	
17	VA0000S4363	1	BEARING	
18	VA0000S4364	1	DUST COVER	
19	VA0000S4365	2	HEX HD CAPSCREW, 3/8-16X6-1/2	



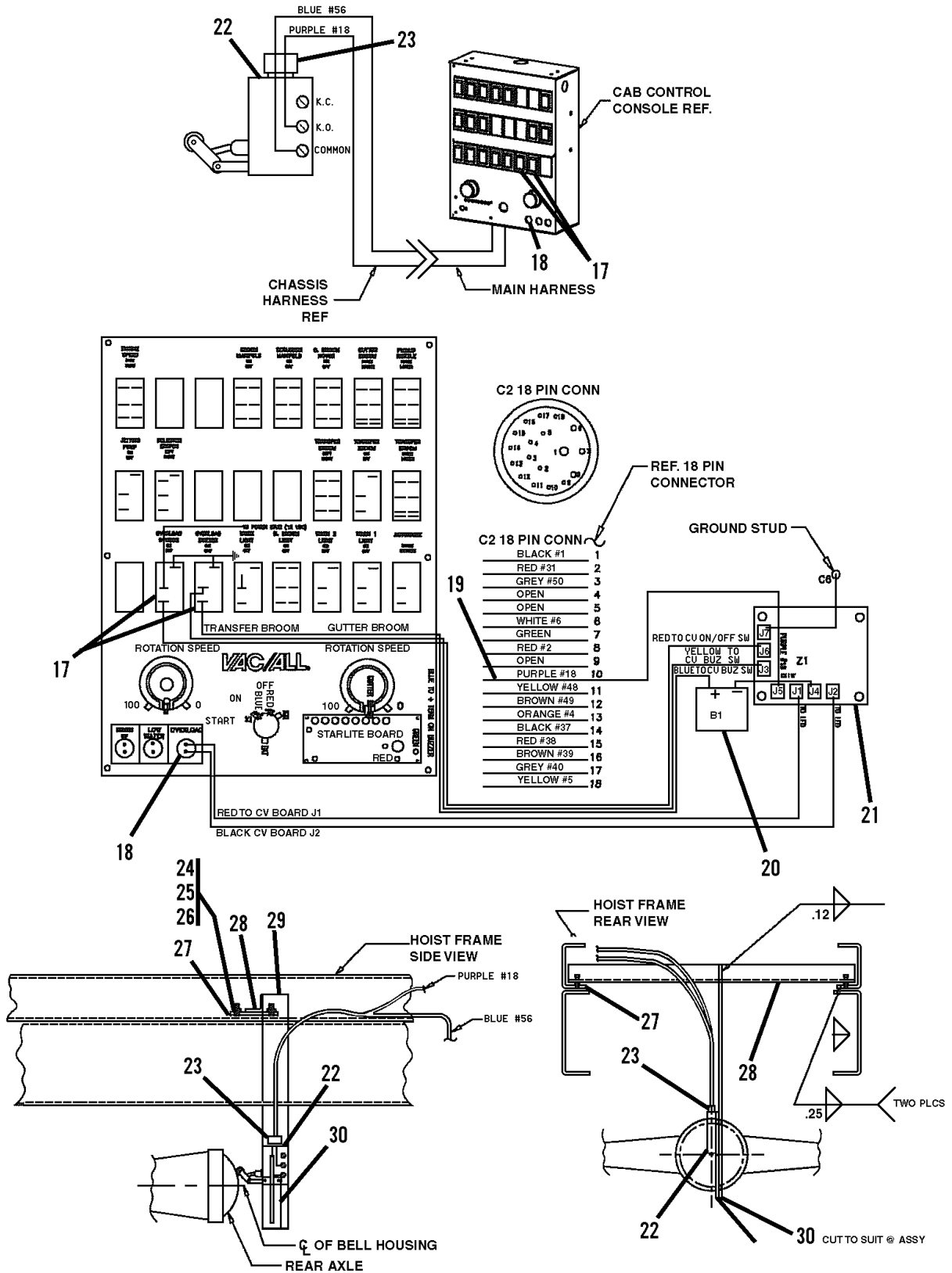
# BODY

## Body Overload Indicator





Body Overload Indicator (Continued)



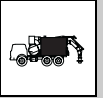


# BODY

## Body Overload Indicator

Item	Part Number	Qty.	Description	Rev.





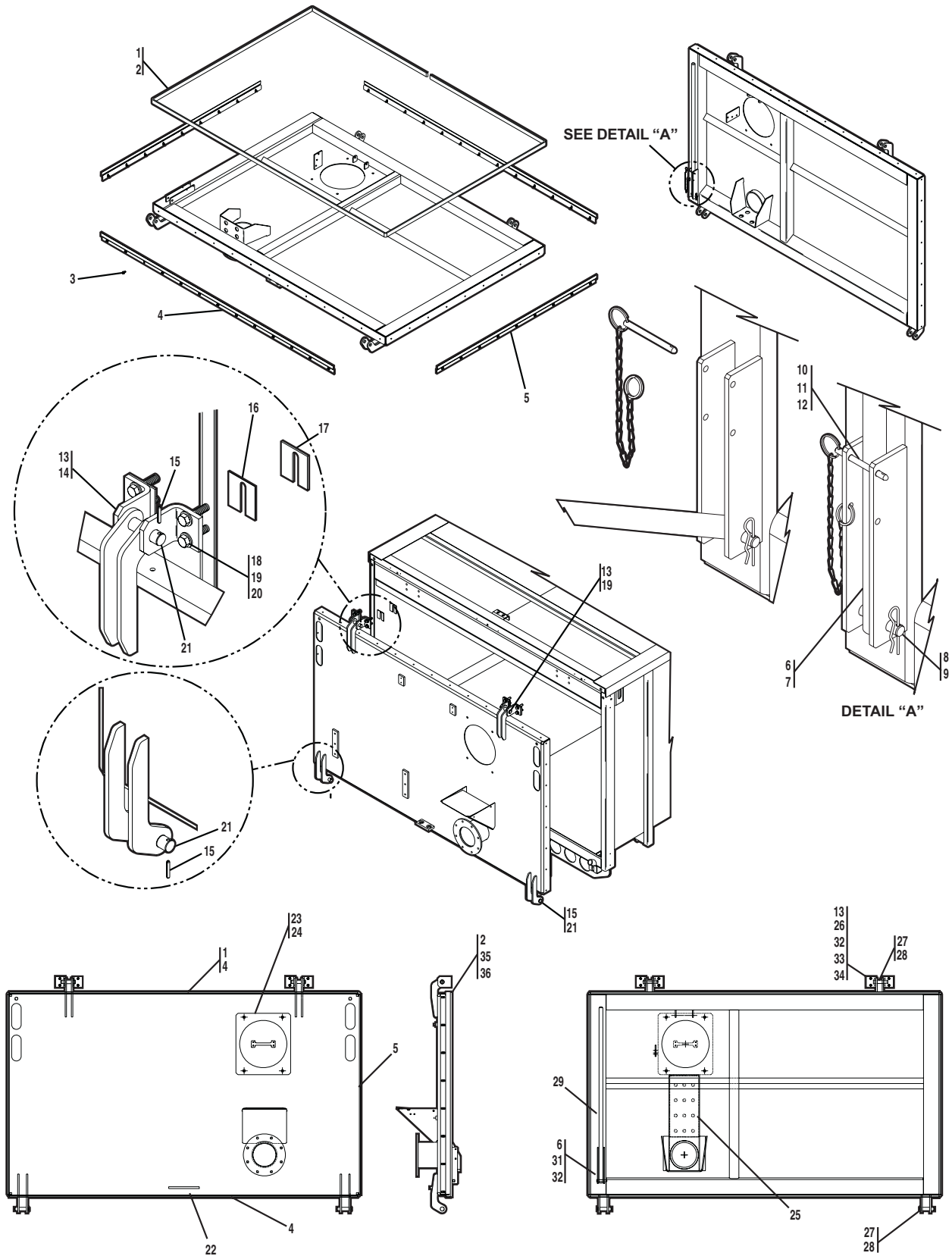
**Body Overload Indicator (Continued)**

Item	Part Number	Qty.	Description	Rev.
	VA602041	1	BODY OVERLOAD CONTROL PANEL, (items 1-15)	
1	VA602535	3	ON/OFF SWITCH, DPST	
2	VA602534	3	ON/OFF/ON SWITCH, DPDT	
3	VA602536	2	ON/OFF/ON SWITCH, DPDT	
4	VA602539	8	ON/OFF SWITCH, SPST	
5	VA602537	1	ON/OFF SWITCH, SPST	
6	VA602531	1	STARLIGHT KNOB	
7	VA602044	1	ELECTRONICS KIT	
8	VA2848-0118A	1	STARTER SWITCH KEY	
9	VA602533	6	PLUG	
10	VA602538	1	ON/NONE/ON SWITCH, DPDT	
11	VA2771-0003A	2	RHEOSTAT	
12	VA602043	1	OVERLOAD ELECTRONICS PACKAGE	
13	VA602522	1	RED LED	
14	VA602562	1	RED LED	
15	VA602521	1	GREEN LED	
	VA602547	AR	LIGHT STRIP, 8-BULB, (not illustrated)	
	VA602548	AR	LIGHT STRIP, 4-BULB, (not illustrated)	
	VA602549	AR	LIGHT STRIP, 3-BULB, (not illustrated)	
	VA602550	AR	LIGHT STRIP, 1-BULB, (not illustrated)	
16	VA2602-0137C	1	NAME PLATE, SWEEPER CONTROL PANEL	
17	VA602539	2	ON/OFF SWITCH, SPST	
18	VA602522	1	RED LED	
20	VA2099-0003A	1	BUZZER	
21	VA602043	1	CIRCUIT BOARD	
22	VA2848-0028A	1	LIMIT SWITCH	
23	VA2139-0004A	1	GRIP CORD	
24	88501008	4	HEX NUT, 1/2-13	
25	88551013	4	LOCKWASHER, 1/2	
26	88561111	4	FLAT WASHER, 1/2	
27	VA8092-0362A	2	OVERLOAD INDICATOR MOUNTING BRACKET	
28	VA8849-0045B	1	SUPPORT	
29	VA4090-0189A	1	LIMIT SWITCH ADJUSTING BRACKET	
30	VA4090-0190A	1	LIMIT SWITCH MOUNTING BRACKET	

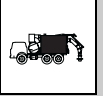


# BODY

## Tailgate



PAM1450



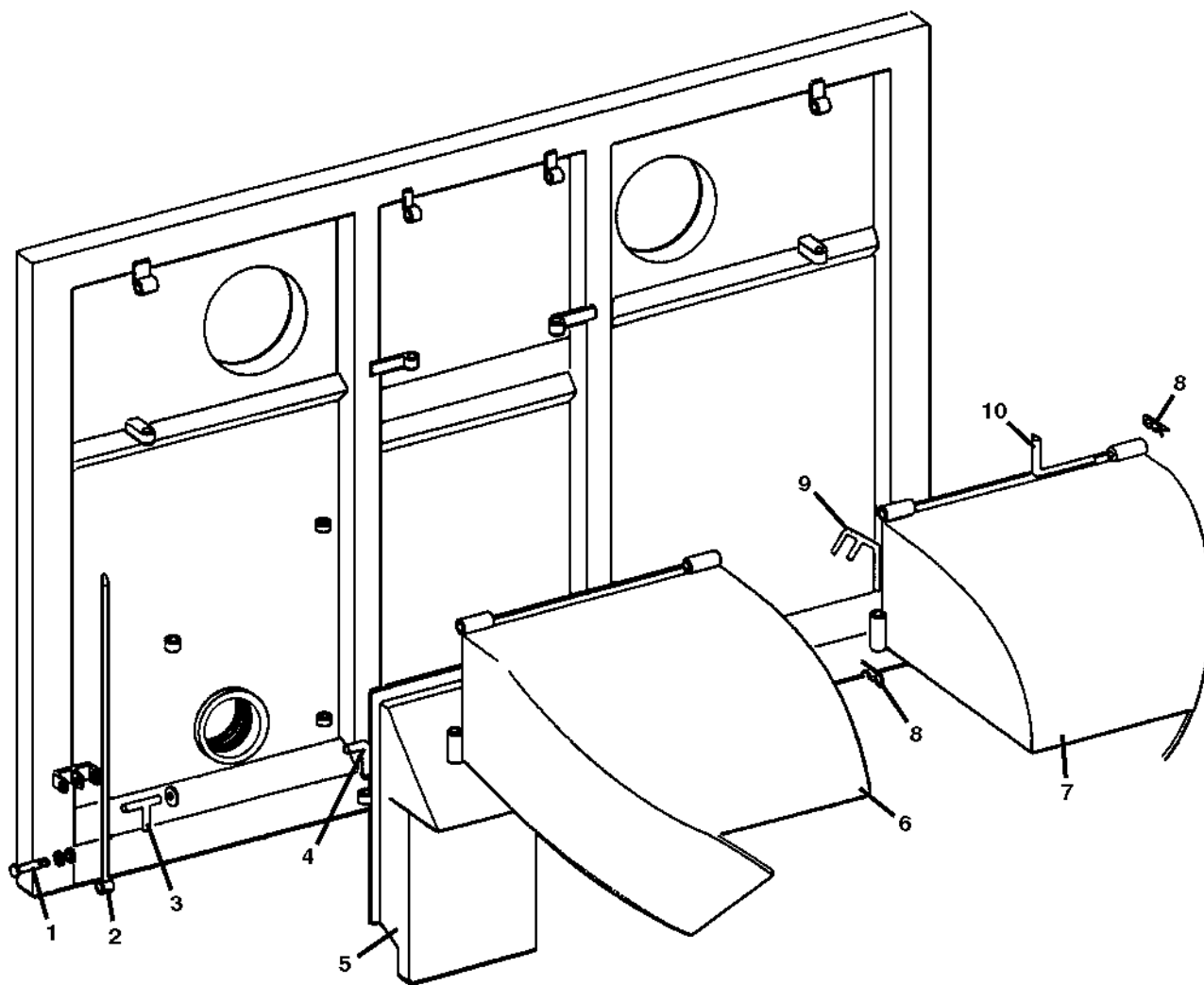
**Tailgate**

Item	Part Number	Qty.	Description	Rev.
	VA6852-0073D	1	TAILGATE ASSY, (items 22, 23)	
	VA6852-0074D		TAILGATE ASSY, (items 22, 23)	
	VA6852-0075D		TAILGATE ASSY, (items 22, 23)	
	VA6852-0056D		TAILGATE ASSY, (items 22, 23)	
	VA6852-0057D		TAILGATE ASSY, (items 22, 23)	
	VA6852-0072D		TAILGATE ASSY, (items 22, 23)	
1	VA6763-0009	1	TAILGATE SEAL INST, (items 2-5)	
	VA6763-0008	1	TAILGAT SEAL INST, (items 2-5)	
2	VA4832-0079A	1	TAILGATE GASKET	
3	VAF8375	44	HEX HD SELF-TAPPING SCREW, 3/8-16X3/4	
4	VA4762-0035C	2	HORIZONTAL SEAL RETAINER	
5	VA4762-0061C	2	VERTICAL SEAL RETAINER, (VA6763-0009 only)	
	VA4762-0034C	2	VERTICAL SEAL RETAINER, (VA4763-0008 only)	
6	VA6740-0013	1	TAILGATE PROP INST, (items 7-12)	
7	VA601888	1	TAILGATE PROP ROD	
8	90021593	1	CLEVIS PIN, 1/2X2-1/2	
9	83211042	1	HITCH PIN CLIP	
10	VA602213	1	QUICK-RELEASE PIN, 2-1/2	
11	VA4119-0012A	1	CHAIN, #8 SASH, 12"	
12	VAC2000631	1	SPLIT RING	
13	VA6383-0002	1	TAILGATE HINGE INST, (items 14-21)	
14	VA601922	4	TAILGATE BODY HINGE	
15	88631491	4	ROLL PIN, 7/32X1-3/8	
16	VA4822-0018A	AR	TAILGATE HINGE SHIM PLATE	
17	VA4822-0019A	AR	TAILGATE HINGE SHIM PLATE	
18	88201069	8	HEX HD CAPSCREW, 1/2-13X2, GR5	
19	90027471	16	HARDENED WASHER, 1/2	
20	88521308	8	HEX LOCKNUT, 1/2-13	
21	90021624	4	CLEVIS PIN, 7/8X1-3/8	
22	VA8854-0043D	1	TAILGATE WELDMENT, 13/16 YD, GR50, (use with VA6852-0073D & 0074D)	
	VA8854-0039D	1	TAILGATE WELDMENT, 13/16 YD, T304-SS, (use with VA6852-0075D)	
	VA8854-0044D	1	TAILGATE WELDMENT, 10/14 YD, ASTM-A36, (use with VA6852-0074D)	
	VA8854-0045D	1	TAILGATE WELDMENT, 10/14 YD, ASTM, CORTEN, (use with VA6852-0057D)	
	VA8854-0037D	1	TAILGATE WELDMENT, 10/14 YD, T304-SS, (use with VA6852-0072D)	
23	VA602465	1	PORTHOLE COVER WELDMENT	
24	88521308	4	HEX LOCKNUT, 1/2-13	
25	VA602221	1	SUMP BAFFLE WELDMENT	
26	VA601922	4	TAILGATE TO BODY HINGE	
27	VA602402	4	CLEVIS PIN, 7/8X3-1/2	
28	VA602405	4	ROLL PIN, 7/32X1-3/8	
29	VA601888	1	TAILGATE ROD PROP	
30	VA2722-0421	1	CLEVIS PIN, 1/2X2-1/2	
31	VA2790-0012A	1	ROLL PIN	
32	VA4822-0019A	4	TAILGATE SHIM, 1/8	
33	VA4822-0018A	AR	TAILGATE SHIM, 1/16	

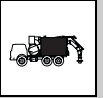


# BODY

## Tailgate Deflectors & Baffle



PAM0470



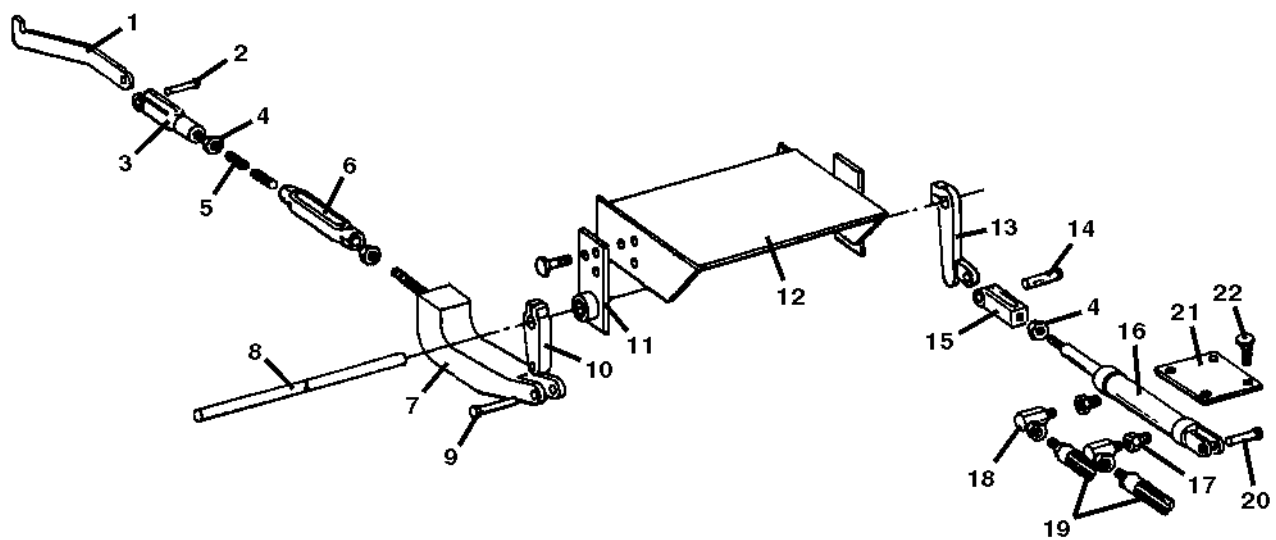
**Tailgate Deflectors & Baffle**

Item	Part Number	Qty.	Description	Rev.
1	VA2722-0450	1	CLEVIS PIN	
	VA2790-0014A	1	ROLL PIN, 5/32X1-1/2	
2	VA8740-0006A	1	TAILGATE PROP	
3	VA8768-0009B	1	PROP LATCH	
4	VA4723-0030A	1	BAFFLE LATCH PIN ASSY	
	VA2352-0001A	1	COTTER PIN	
5	VA8052-0010C	1	BAFFLE WELDMENT	
6	VA8162-0018C	1	R.H. DEFLECTOR, 10 & 13 YD	
	VA8162-0020C	1	R.H. DEFLECTOR, 14 & 16 YD	
	VA6162-0014C	1	R.H. DEFLECTOR, 10 & 13 YD, JADE LINED	
7	VA8162-0019C	1	L.H. DEFLECTOR, 10 & 13 YD	
	VA8162-0021C	1	L.H. DEFLECTOR, 14 & 16 YD	
	VA6162-0013C	1	L.H. DEFLECTOR, 10 & 13 YD, JADE LINED	
8	VA2352-0002A	4	COTTER PIN	
9	VA8722-0044A	2	3 POSITION PIN	
10	VA4723-0099A	2	LATCH DEFLECTOR PIN	

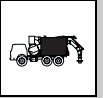


# BODY

## Hydraulic Tailgate Latch



PAM0480



**Hydraulic Tailgate Latch**

Item	Part Number	Qty.	Description	Rev.
1	VA4502-0031B	2	LATCH	
2	VA2722-0001A	2	CLEVIS PIN, 3/4"	
	VA2722-0526	2	COTTER PIN, 5/22X1-1/4	
3	VA2998-0001A	2	YOKE	
4	VAF3676	4	JAM NUT, 3/4"	
5	VA4784-0041A	2	TURN BUCKLE ROD	
6	VA2897-0001A	2	TURN BUCKLE	
7	VA4101-0006B	2	CAM ARM	
8	VA4820-0070A	1	R.H. TAILGATE LOCK SHAFT	
	VA4820-0069A	1	L.H. TAILGATE LOCK SHAFT	
9	VA2722-0418	2	CLEVIS PIN, 1/2X2	
	VA2722-0517	2	COTTER PIN, 1/8X1	
10	VA4040-0039A	2	SWIVEL ARM	
11	VA8060-0002A	2	R.H. BEARING	
	VA8060-0003A	2	L.H. BEARING	
12	VA8849-0040A	2	BEARING SUPPORT	
13	VA8040-0066B	2	LEVER ARM	
14	VA2722-0417	2	CLEVIS PIN, 1/2X1-3/4	
	VA2790-0012A	2	ROLL PIN, 5/32X1	
15	VA2998-0005A	2	YOKE	
16	VA3148-0020B	2	CYLINDER	
17	VA5406-0604	4	REDUCER BUSHING	
18	VA5401-0404	4	SWIVEL UNION ADAPTER	
19	VA3386-0124A	2	R.H. CYLINDER HOSE ASSY	
	VA5303-0435	2	L.H. CYLINDER HOSE ASSY	
20	VA2722-0420	2	CLEVIS PIN, 1/2X2-1/4	
21	VA4727-1040A	2	MOUNTING PLATE	
22	VAF0290	8	CAPSCREW, 3/8X1-1/2	
	VAF7250	16	FLAT WASHER, 3/8"	
	VAF7875	20	LOCKWASHER, 3/8"	
	VAF2975	20	HEX NUT, 3/8"	

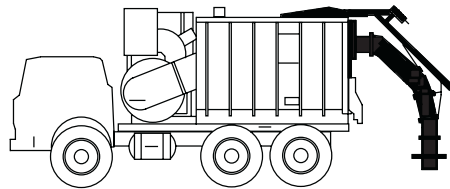


## **BODY**

**This Page Intentionally Left Blank**



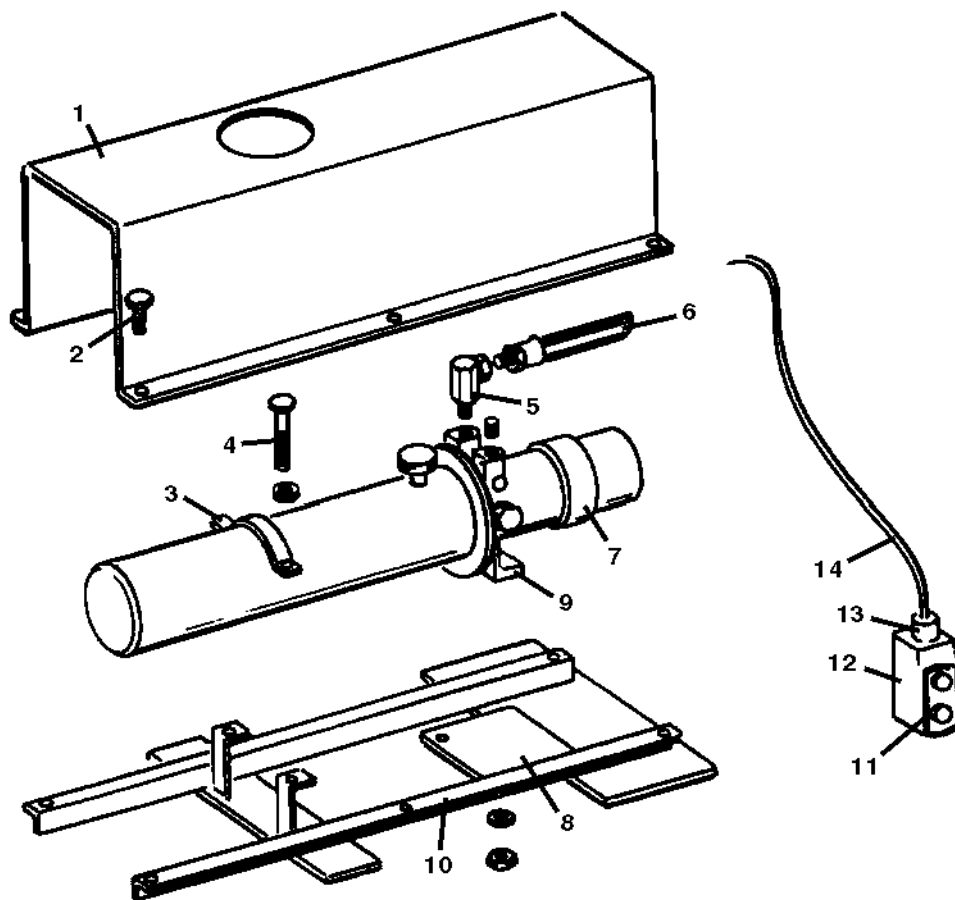
## SECTION 2 -BOOM





# BOOM

## Power Boom Installation





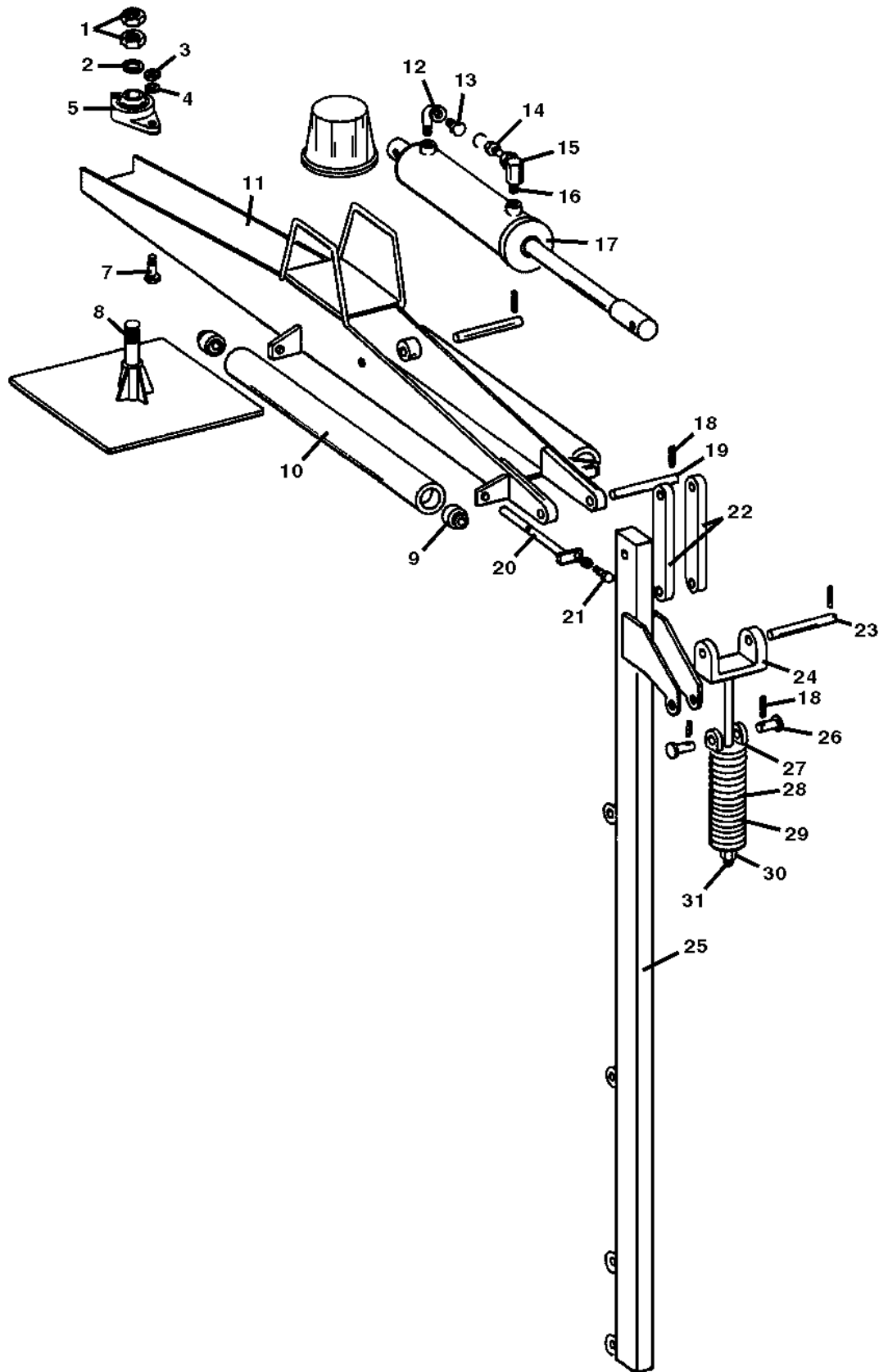
## Power Boom Installation

Item	Part Number	Qty.	Description	Rev.
1	VA4139-0129B	1	COVER	
2	VAF0076	6	SELF TAPPING SCREW, 5/16X5/8	
3	VA2127-0129B	1	CLAMP	
4	VAF0211	2	SCREW, 5/16X2	
	VAF7175	2	LOCKWASHER, 5/16"	
	VAF2850	2	NUT, 5/16"	
5	VA5401-0606	1	SWIVEL UNION	
6	VA3386-1207A	1	HOSE	
7	VA3745-0055D	1	POWER BOOM PUMP ASSY	
8	VA4727-0441A	1	ADAPTER PLATE	
9	VAF2725	4	NUT, 1/4"	
	VAF7075	4	LOCKWASHER, 1/4"	
10	VA8290-0184C	1	MOUNTING FRAME	
	VA6717-0025B	1	PENDANT & CABLE ASSY, (items 11-14)	
11	VA3717-0012A	1	PENDANT STATION	
12	VA2602-0094A	1	BOOM DECAL	
13	VA2342-0018A	1	CORD GRIP	
14	VA4100-0002A	1	CABLE	



# BOOM

## Boom Assembly



PAM0500



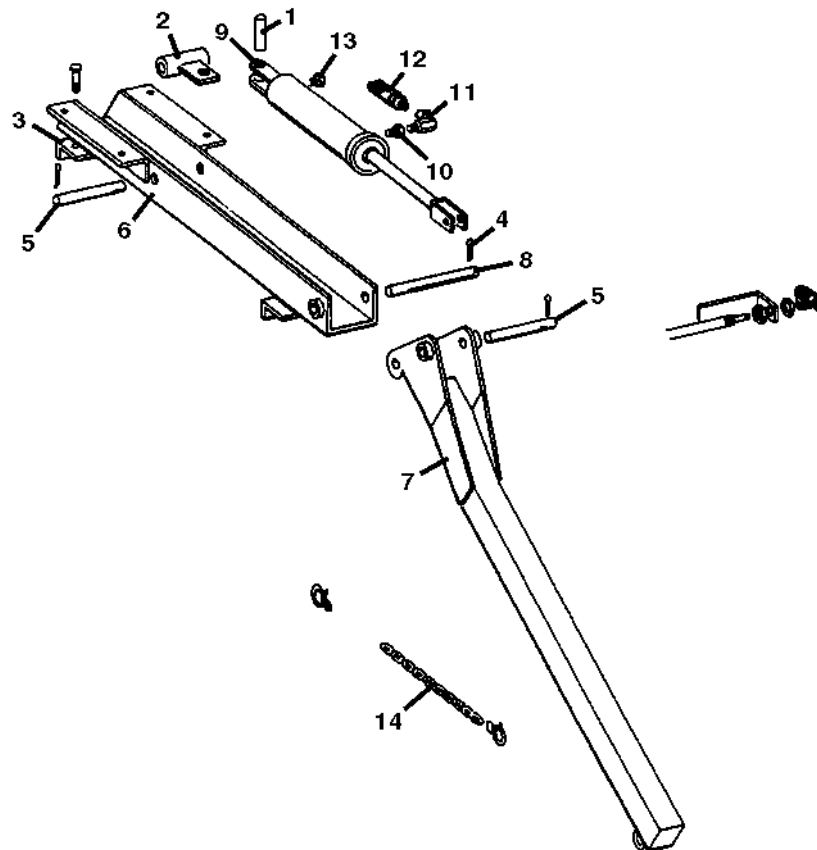
## Boom Assembly

Item	Part Number	Qty.	Description	Rev.
	VA6087-0030D	1	BOOM ASSY, (all items except 14-16)	
1	VAF4077	2	JAM NUT, 1-3/8"	
2	VAF7677	2	FLAT WASHER, 1-3/8"	
3	VAF3375	2	NUT, 1/2"	
4	VAF7375	2	LOCKWASHER, 1/2"	
5	VA2062-0024A	1	BEARING	
6	VA36383	1	GREASE FITTING	
7	VAF0980	2	CAPSCREW, 1/2X1-1/2	
8	VA8722-0045A	1	PIN WELDMENT	
9	VA2062-0015A	4	BEARING	
10	VA4787-0004A	2	ROLLER	
	VA6787-0004A	2	ROLLER & BEARING ASSY, (items 9 & 10)	
11	VA8087-0007C	1	BOOM WELDMENT	
12		1	STREET ELBOW, 3/8"	
13	VA2092-0002A	1	BREATHER	
14	VA3386-1207A	1	HOSE	
15	VA5401-0606	1	SWIVEL UNION	
16	VA@0183	1	BUSHING	
17	VA3148-0067C	1	BOOM CYLINDER ASSY	
18	VA2790-0014A	6	ROLL PIN	
19	VA4723-0102A	2	BOOM HOIST PIN	
20	VA8722-0032A	2	ROLLER SHAFT	
21	VAF0024	2	CAPSCREW, 1/4X1	
	VAF7100	2	LOCKWASHER, 1/4"	
	VAF2725	2	NUT, 1/4"	
22	VA4525-0055A	2	BOOM LINK	
23	VA4723-0108A	1	BOOM PIN	
24	VA8129-0001A	1	CLEVIS WELDMENT	
25	VA8040-0056B	1	ARM WELDMENT	
26	VA4723-0104A	2	PIN	
27	VA8096-0001A	1	BUSHING WELDMENT	
28	VA2842-0024B	1	BOOM SPRING	
29	VA4097-0009A	1	BUSHING	
30	VAF3900	1	CASTLE NUT, 1"	
31	VAF6760	1	COTTER PIN, 1/8X1-1/2	



# BOOM

## Stub Boom Assembly





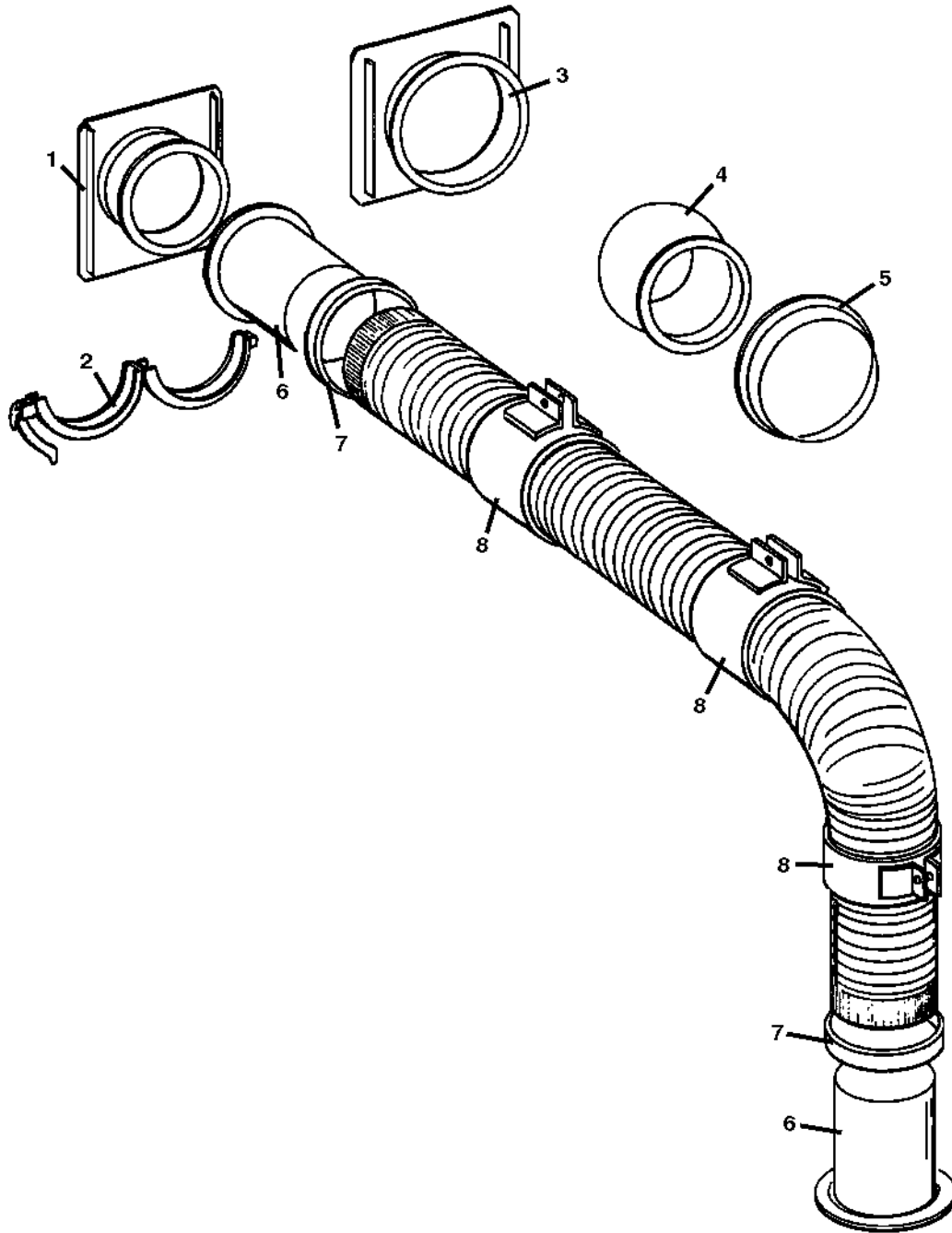
## Stub Boom Assembly

Item	Part Number	Qty.	Description	Rev.
1	VA4723-0105A	1	HINGE PIN	
	VA2352-0001A	2	COTTER PIN	
2	VA8092-0320A	1	PIVOT BRACKET	
3	VA4090-0316A	2	MOUNTING BRACKET	
4	VA2790-0014A	6	ROLL PIN, 5/32X1-1/2	
5	VA4723-0101A	2	BOOM HOIST PIN	
6	VA8085-0094B	1	BOOM BODY WELDMENT	
7	VA8040-0045C	1	BOOM ARM WELDMENT	
8	VA4723-0102A	1	BOOM HOIST PIN	
9	VA3148-0052C	1	BOOM CYLINDER ASSY	
10	VA5113-0408	1	BUSHING	
11	VA5401-0404	1	SWIVEL ADAPTER UNION	
12	VA3386-0117A	1	HOSE	
13	VA2092-0010A	1	BREATHER	
14	VA6116-0021A	1	CHAIN ASSY	



# BOOM

## Intake Hose Assembly



PAM0570





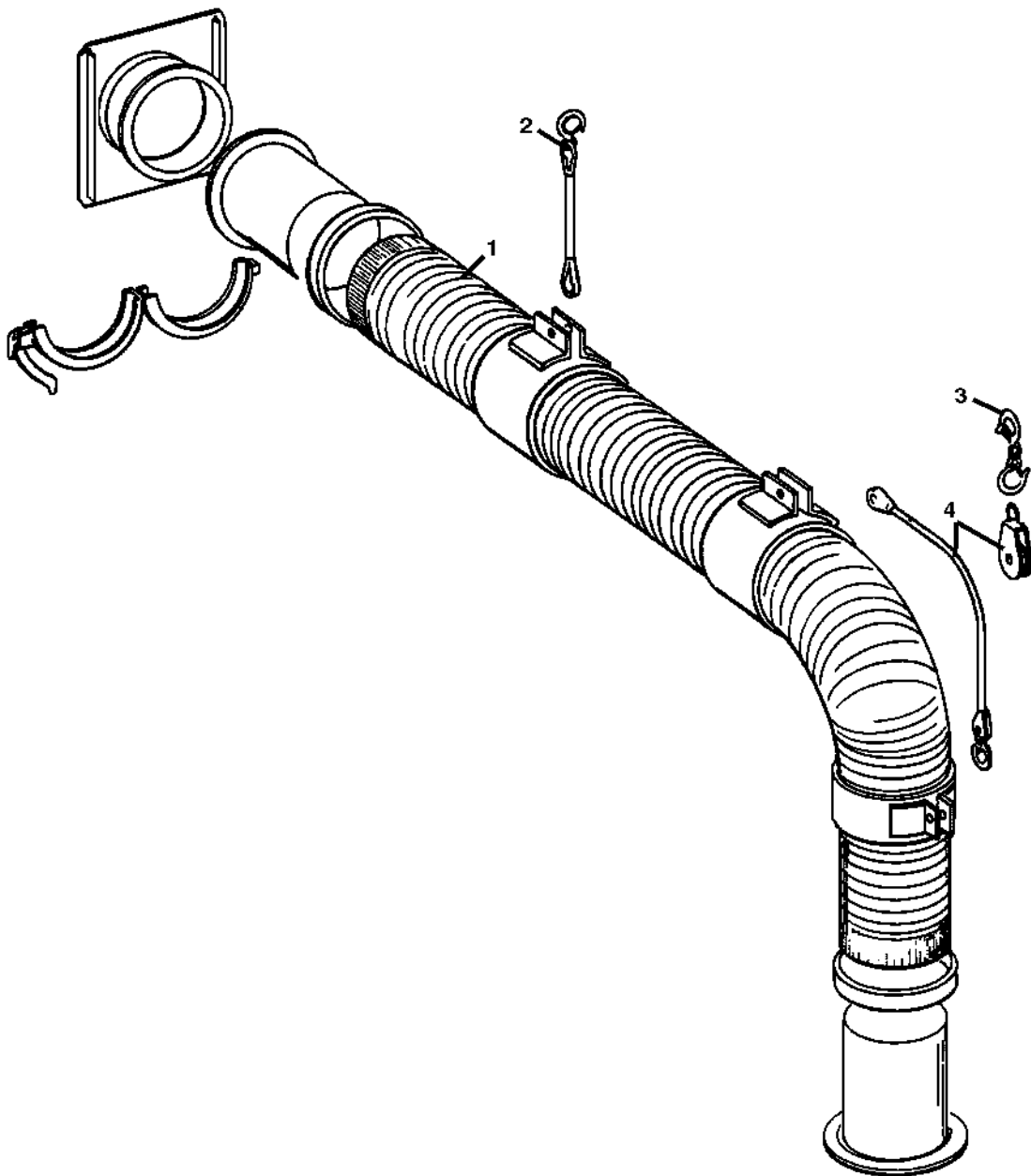
## Intake Hose Assembly

Item	Part Number	Qty.	Description	Rev.
1	VA8009-1212C	1	HOSE ADAPTER, 12"X12" LONG	
	VA8009-0412C	1	HOSE ADAPTER, 12"X4" LONG	
	VA8009-1210C	1	HOSE ADAPTER, 10"X12" LONG	
	VA8009-0410C	1	HOSE ADAPTER, 10"X4" LONG	
	VA8009-1208C	1	HOSE ADAPTER, 8"X12" LONG	
	VA8009-0408C	1	AHOSE ADAPTER, 8"X4" LONG	
	VA8009-1206C	1	HOSE ADAPTER, 6"X12" LONG	
	VA8009-0406C	1	HOSE ADAPTER, 6"X4" LONG	
	VAE-7000	1	HOSE ADAPTER, 12"X8"	
2	VA6127-0001C	AR	CLAMP, 12"	
	VA6127-0009C	AR	CLAMP, 10"	
	VA6127-0002C	AR	CLAMP, 8"	
	VA6127-0008C	AR	CLAMP, 6"	
	VA6127-0007C	AR	CLAMP, 4"	
3	VA8800-0001C	1	ADAPTER w/SOCKET PLATE	
4	VA8800-0002C	1	SWIVEL BALL	
5	VA4762-0081C	1	RETAINING RING	
	VA6800-0001C	1	BALL JOINT ASSY, (items 3-5)	
6	VA8140-0012C	2	HOSE COUPLING, 12"	
	VA8140-0010C	2	HOSE COUPLING, 10"	
	VA8140-0008B	2	HOSE COUPLING, 8"	
	VA8140-0006B	2	HOSE COUPLING, 6"	
	VA8140-0004B	2	HOSE COUPLING, 4"	
7	VA6053-0012C	2	SQUEEZE BAND, 12"	
	VA6053-0010C	2	SQUEEZE BAND, 10"	
	VA6053-0008C	2	SQUEEZE BAND, 8"	
	VA6053-0006C	2	SQUEEZE BAND, 6"	
	VA6053-0004C	2	SQUEEZE BAND, 4"	
8	VA6132-0012C	3	SUPPORT COLLAR, 12"	
	VA6132-0010C	3	SUPPORT COLLAR, 10"	
	VA6132-0008C	3	SUPPORT COLLAR, 8"	
	VA6132-0006C	3	SUPPORT COLLAR, 6"	

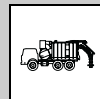


# BOOM

## Intake Hose Assembly



PAM0580



**Intake Hose Assembly**

Item	Part Number	Qty.	Description	Rev.
1	VA2390-0166A	1	ISB HOSE, 12"X8'-1/4"	
	VA2390-0172A	1	ISB-P HOSE, 12"X8'-4"	
	VA2390-0165A	1	HD HOSE, 12"X8'-4"	
	VA2390-0176A	1	HD-P HOSE, 12"X8'-4"	
	VAE-2553	1	ISB HOSE, 10"X8'-4"	
	VAE-449	1	HD HOSE, 10"X8'-4"	
	VA2390-0174A	1	HD-P HOSE, 10"X8'-4"	
	VA2390-0168A	1	HD HOSE, 8"X10'	
	VA2390-0179A	1	HD-P HOSE, 8"X10'	
	VA2390-0168A	1	POL-P HOSE, 8"X10'	
	VAE-1056A	1	LW-P HOSE, 8"X10'	
	VA2390-0169A	1	HD HOSE, 6"X10'	
	VAE-444P	1	HD-P HOSE, 6"X10'	
	VA2390-0171A	1	POL-P HOSE, 6"X10'	
	VAE-1057P	1	LW-P HOSE, 6"X10'	
	VAE-1369P	1	POL-P HOSE, 4"X10'	
	VA2390-0170A	1	MED HOSE, 4"X10'	
	VA6387-0061A	1	ISB HOSE ASSY, 12"X9'-6", (includes hose, coupling, squeeze band)	
	VA6387-0086A	1	ISB-P HOSE ASSY, 12"X9'-6", (includes hose, coupling, squeeze band)	
	VA6387-0060A	1	HD HOSE ASSY, 12"X9'-6", (includes hose, coupling, squeeze band)	
	VA6387-0062A	1	HD-P HOSE ASSY, 12"X9'-6", (includes hose, coupling, squeeze band)	
	VAE-1234	1	HD HOSE ASSY, 10"X9'-6", (includes hose, coupling, squeeze band)	
	VA6387-0058A	1	HD-P HOSE ASSY, 10"X9'-6", (includes hose, coupling, squeeze band)	
	VA6387-0057A	1	HD HOSE ASSY, 8"X10'-6", (includes hose, coupling, squeeze band)	
	VA6387-0087A	1	HD-P HOSE ASSY, 8"X10'-6", (includes hose, coupling, squeeze band)	
	VAE-1404P	1	POL-P HOSE ASSY, 8"X10'-6", (includes hose, coupling, squeeze band)	
	VAE-1238P	1	LW-P HOSE ASSY, 8"X10'-6", (includes hose, coupling, squeeze band)	
	VA6387-0056A	1	HD HOSE ASSY, 6"X10'-6", (includes hose, coupling, squeeze band)	
	VAE-1239P	1	HD-P HOSE ASSY, 6"X10'-6", (includes hose, coupling, squeeze band)	
	VA6387-0085A	1	POL-P HOSE ASSY, 6"X10'-6", (includes hose, coupling, squeeze band)	
	VAE-1241P	1	LW-P HOSE ASSY, 6"X10'-6", (includes hose, coupling, squeeze band)	
	VAE-1406P	1	POL-P HOSE ASSY, 4"X10'-6", (includes hose, coupling, squeeze band)	
VA6387-0055A	1	MED HOSE ASSY, 4"X10'-6", (includes hose, coupling, squeeze band)		
VAE-1243P	1	LW-P HOSE ASSY, 4"X10'-6", (includes hose, coupling, squeeze band)		
2	VA6103-0012A	1	CABLE ASSY	
3	VA6116-0010A	1	BOOM CHAIN	
4	VA6103-0003A	1	BOOM CABLE	
	VAE-446-1	1	NEOPRENE COATING	
	VAE-446-3	1	HOSE PATCH	
ISB	INDUSTRIAL		SMOOTH BORE, FOR SEVERE ABRASION APPLICATIONS WHERE FLEXIBILITY IS NOT REQUIRED	
ISB-P	INDUSTRIAL		PETROLEUM RESISTANT, SMOOTH BORE	
HD	HEAVY DUTY		OUR STANDARD HEAVY GENERAL PURPOSE HOSE - 12" & 10" HAVE CORRUGATED BORE. 8", 6" & 4" HAVE SMOOTH BORE	
HD-P	HEAVY DUTY		PETROLEUM RESISTANT	
POL	POLYMER		SMOOTH BORE - 8", 6" & 4" FOR EXTREME ABRASION RESISTANCE	
POL-P	POLYMER		PETROLEUM RESISTANT	



# BOOM

## Intake Hose Assembly (Continued)

Item	Part Number	Qty.	Description	Rev.
MED	MEDIUM DUTY		SMOOTH BORE - AVAILABLE IN 12", 8", 6" AN 4" SIZES FOR BRANCH RUNS WHERE MORE FLEXIBILITY IS REQUIRED	
LW-P	LIGHT WT.		EXTRA FLEXIBLE FOR USE w/HAND PICK-UP NOZZLE. PETROLEUM RESISTANT	



**Intake Hose Assembly (Continued)**

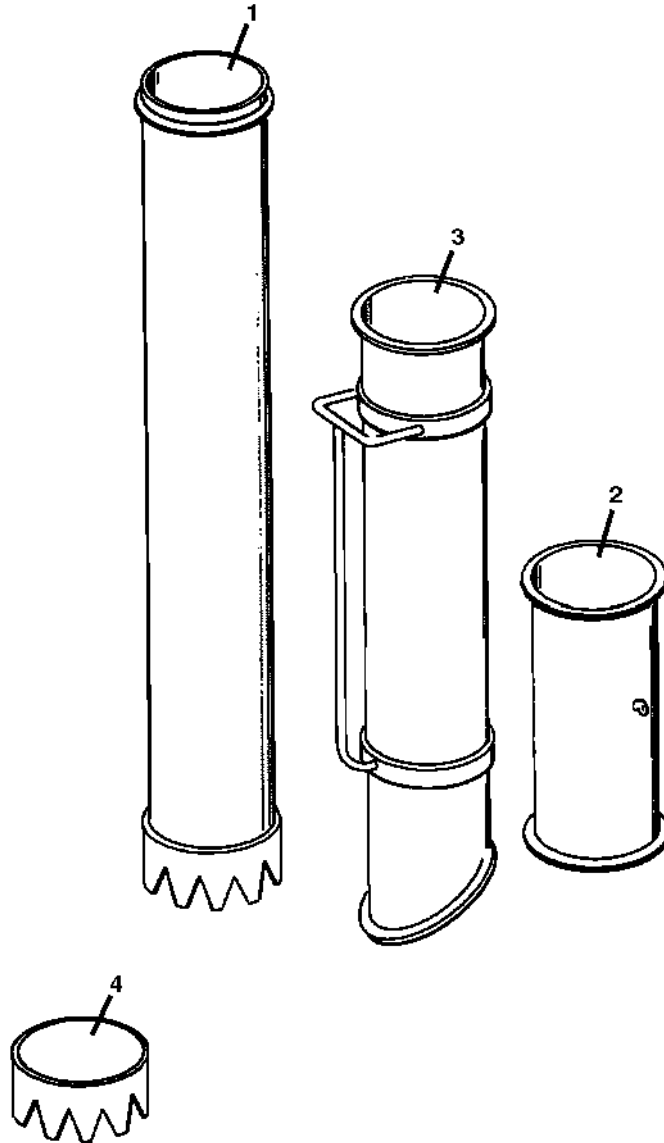
Item	Part Number	Qty.	Description	Rev.



# BOOM

## Catch Basin & Extension Tubes

---





## Catch Basin &amp; Extension Tubes

Item	Part Number	Qty.	Description	Rev.	
1	VA8875-1220C		CATCH BASIN TUBE, 12"X20", STEEL		
	VA8875-1256C		CATCH BASIN TUBE, 12"X56", STEEL		
	VA8875-1292C		CATCH BASIN TUBE, 12"X92", STEEL		
	VA8875-1220C		CATCH BASIN TUBE, 10"X20", STEEL		
	VA8875-1056C		CATCH BASIN TUBE, 10"X56", STEEL		
	VA8875-1092C		CATCH BASIN TUBE, 10"X92", STEEL		
	VA8875-0820C		CATCH BASIN TUBE, 8"X20", STEEL		
	VA8875-0856C		CATCH BASIN TUBE, 8"X56", STEEL		
	VA8875-0892C		CATCH BASIN TUBE, 8"X92", STEEL		
	VA8875-0620C		CATCH BASIN TUBE, 6"X20", STEEL		
	VA8875-0656C		CATCH BASIN TUBE, 6"X56", STEEL		
	VA8875-0692C		CATCH BASIN TUBE, 6"X92", STEEL		
	VA8876-1220C		CATCH BASIN TUBE, 12"X20", ALUMINUM		
	VA8876-1256C		CATCH BASIN TUBE, 12"X56", ALUMINUM		
	VA8876-1292C		CATCH BASIN TUBE, 12"X92", ALUMINUM		
	VA8876-1297C		CATCH BASIN TUBE, 12"X96", ALUMINUM		
	VAE-921-20		CATCH BASIN TUBE, 10"X20", ALUMINUM		
	VA8876-1056C		CATCH BASIN TUBE, 10"X56", ALUMINUM		
	VA8876-1092C		CATCH BASIN TUBE, 10"X92", ALUMINUM		
	VAE-922-20		CATCH BASIN TUBE, 8"X20", ALUMINUM		
	VA8876-0856C		CATCH BASIN TUBE, 8"X56", ALUMINUM		
	VA8876-0892C		CATCH BASIN TUBE, 8"X92", ALUMINUM		
	VA8876-0620C		CATCH BASIN TUBE, 6"X20", ALUMINUM		
	VA8876-0656C		CATCH BASIN TUBE, 6"X56", ALUMINUM		
	VA8876-0692C		CATCH BASIN TUBE, 6"X92", ALUMINUM		
	2	VA8875-1212C		EXTENSION TUBE, 12"X12", STEEL	
		VA8875-1224C		EXTENSION TUBE, 12"X24", STEEL	
		VA8875-1248C		EXTENSION TUBE, 12"X48", STEEL	
		VA8875-1272C		EXTENSION TUBE, 12"X72", STEEL	
		VA8875-1296C		EXTENSION TUBE, 12"X96", STEEL	
VAE-809-12			EXTENSION TUBE, 10"X12", STEEL		
VA8875-1024C			EXTENSION TUBE, 10"X24", STEEL		
VA8875-1048C			EXTENSION TUBE, 10"X48", STEEL		
VA8875-1072C			EXTENSION TUBE, 10"X72", STEEL		
VA8875-1096C			EXTENSION TUBE, 10"X96", STEEL		
VA8875-0812C			EXTENSION TUBE, 8"X12", STEEL		
VA8875-0824C			EXTENSION TUBE, 8"X24", STEEL		
VA8875-0848C			EXTENSION TUBE, 8"X48", STEEL		
VA8875-0872C			EXTENSION TUBE, 8"X72", STEEL		
VA8875-0896C			EXTENSION TUBE, 8"X96", STEEL		
VA8875-0612C			EXTENSION TUBE, 6"X12", STEEL		
VA8875-0624C			EXTENSION TUBE, 6"X24", STEEL		
VA8875-0648C			EXTENSION TUBE, 6"X48", STEEL		
VA8875-0672C			EXTENSION TUBE, 6"X72", STEEL		
VA8875-0696C			EXTENSION TUBE, 6"X96", STEEL		
VA8876-1212C			EXTENSION TUBE, 12"X12", ALUMINUM		
VA8876-1224C			EXTENSION TUBE, 12"X24", ALUMINUM		
VA8876-1248C			EXTENSION TUBE, 12"X48", ALUMINUM		
VA8876-1272C			EXTENSION TUBE, 12"X72", ALUMINUM		



# BOOM

## Catch Basin & Extension Tubes (Continued)

Item	Part Number	Qty.	Description	Rev.
	VA8876-1296C		EXTENSION TUBE, 12"X96", ALUMINUM	
	VAE-909-12		EXTENSION TUBE, 10"X12", ALUMINUM	
	VA8876-1024C		EXTENSION TUBE, 10"X24", ALUMINUM	
	VA8876-1048C		EXTENSION TUBE, 10"X48", ALUMINUM	
	VAE-909-72		EXTENSION TUBE, 10"X48", ALUMINUM	
	VA8876-1096C		EXTENSION TUBE, 10"X96", ALUMINUM	
	VA8876-0812C		EXTENSION TUBE, 8"X96", ALUMINUM	
	VA8876-0824C		EXTENSION TUBE, 8"X24", ALUMINUM	
	VA8876-0848C		EXTENSION TUBE, 8"X48", ALUMINUM	
	VA8876-0872C		EXTENSION TUBE, 8"X72", ALUMINUM	
	VA8876-0896C		EXTENSION TUBE, 8"X96", ALUMINUM	
	VA8876-0612C		EXTENSION TUBE, 6"X12", ALUMINUM	
	VA8876-0624C		EXTENSION TUBE, 6"X24", ALUMINUM	
	VA8876-0648C		EXTENSION TUBE, 6"X48", ALUMINUM	
	VA8876-0672C		EXTENSION TUBE, 6"X72", ALUMINUM	
	VA8876-0696C		EXTENSION TUBE, 6"X96", ALUMINUM	
3	VA6626-0448C		CANTED NOZZLE, 4", ALUMINUM	
	VA6626-0648C		CANTED NOZZLE, 6", ALUMINUM	
	VA6626-0848C		CANTED NOZZLE, 8", ALUMINUM	
	VA6626-1048C		CANTED NOZZLE, 10", ALUMINUM	
	VA6626-1248C		CANTED NOZZLE, 12", ALUMINUM	
4	VA4135-0034C		SERRATED END	





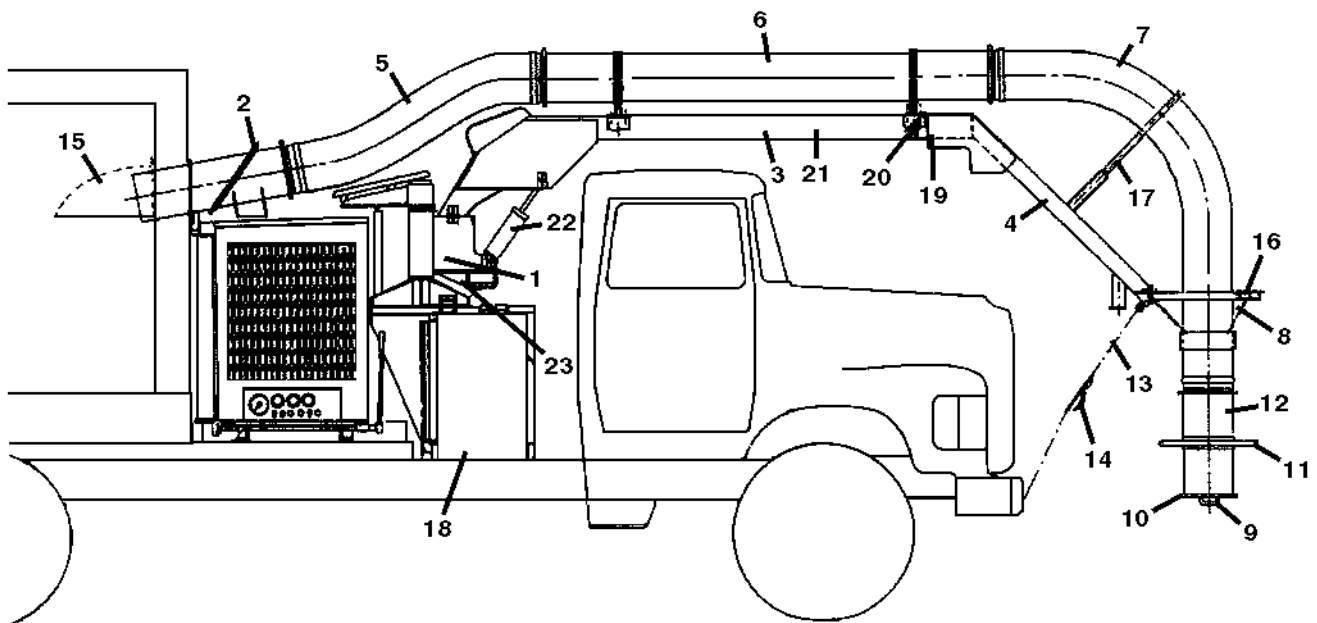
**Catch Basin & Extension Tubes (Continued)**

Item	Part Number	Qty.	Description	Rev.



# BOOM

## VC Front Boom



PAM1050



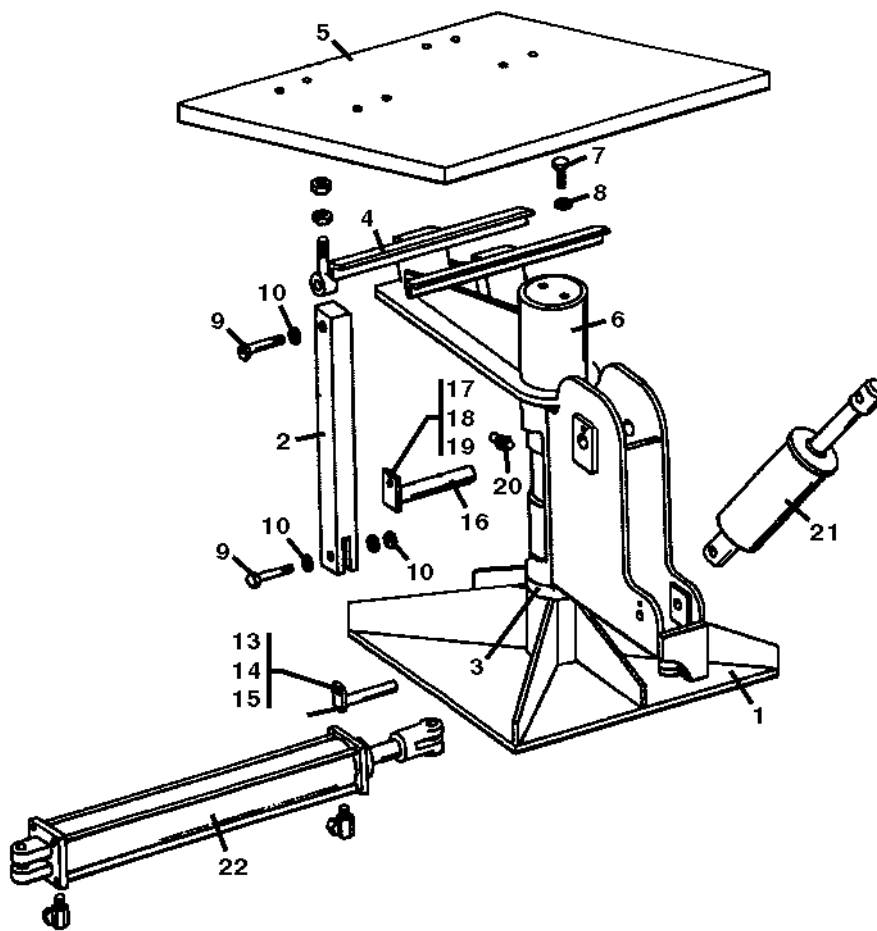
## VC Front Boom

Item	Part Number	Qty.	Description	Rev.
1	VA6040-0029C	1	BOOM PIVOT	
2	VA6302-0002A	1	TRANSFORMATION GASKET SET	
	VA2779-0012A	18	RUBBER RIVET	
3	VA8040-0093D	1	REAR BOOM ARM	
4	VA8040-0094D	1	FRONT BOOM ARM	
5	VA6387-0097A	1	INTAKE HOSE	
6	VA6895-0019D	1	TELESCOPIC TUBE ASSY	
7	VA6387-0060A	1	INTAKE HOSE	
8	VA6116-0025A	1	CHAIN & SHACKLE ASSY	
9	VA8139-0009A	1	INTAKE HOSEPLATE	
10	VA6127-0001C	3	OVER CENTER CLAMP	
11	VA6353-0018D	1	CIRCULAR HANDLE	
12	VA8875-1224C	1	INTAKE TUBE	
13	VA6116-0023A	1	SAFETY CHAIN	
14	VA2073-0001A	1	LOAD BINDER	
15	VA6162-0001C	1	DEFLECTOR	
16	VA8348-0028B	1	GUIDE	
17	VA8849-0049B	1	HOSE SUPPORT	
	VA2846-0003A	1	STRAP	
18	VA6854-0376C	1	300 GAL WATER TANK ASSY	
19	VA2063-0013A	1	CAM FOLLOWER, 3" O.D.	
20	VA2063-0012A	3	CAM FOLLOWER, 1-1/2" O.D.	
21	VA3148-0062B	2	TELESCOPING CYLINDER	
22	VAE-6708	1	POWER BOOM LIFT CYLINDER	
23	VA3148-0038A	1	ROTATE CYLINDER	



# BOOM

## Boom Swing Arm & Pivot Shaft Assy



PAM1090



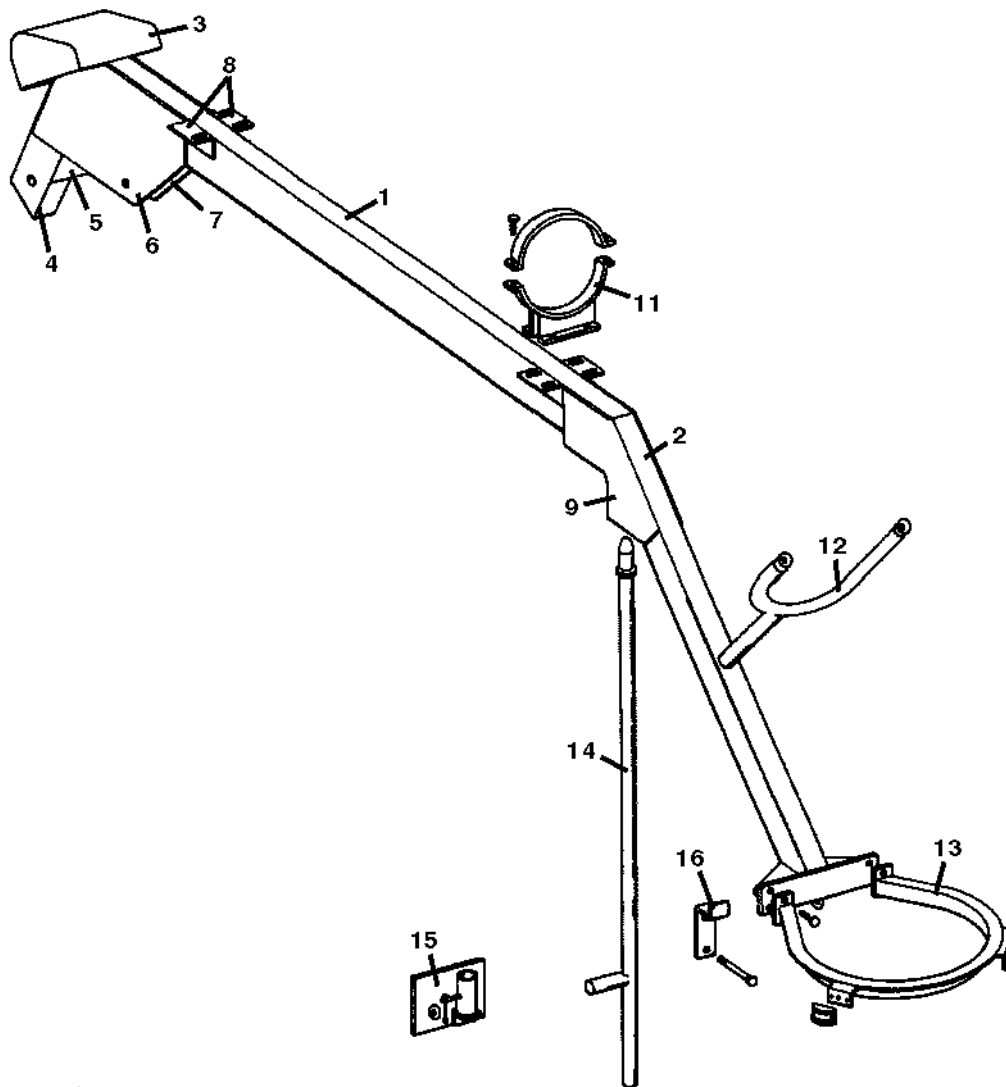
### Boom Swing Arm & Pivot Shaft Assy

Item	Part Number	Qty.	Description	Rev.
1	VA6040-0029C	1	PIVOT SHAFT ASSY	
2	VA4849-0056B	2	DIAGONAL SUPPORT	
3	VA4097-0008A	1	SWING ARM BUSHING	
4	VA8849-0054C	1	HOSE SUPPORT	
5	VA8347-0054C	1	HOSE GUARD	
6	VA6040-0028C	1	SWING ARM	
	VA4097-0011A	2	BUSHING	
7	VAF1631	2	HEX HD CAPSCREW, 3/4-10X1-1/2	
8	VAF8075	2	LOCKWASHER, 3/4"	
9	VAF1350	2	HEX HD CAPSCREW, 5/8-11X1-1/2	
10	VAF7425	2	FLAT WASHER, 5/8"	
11	VAF3500	2	ELASTIC LOCKNUT, 5/8-11	
12	VA4723-0147A	2	LIFT CYLINDER PINS, 1X5	
13	VAF7025	2	COTTER PIN, 5/16X2	
14	VAF0325	2	HEX HD CAPSCREW, 3/8-16X1-1/4	
15	VAF7250	2	FLAT WASHER, 3/8"	
16	VA4723-0146A	1	BOOM ARM PIN	
17	VAF6940	2	COTTER PIN, 1/2X2-1/2	
18	VAF1300	1	HEX HD CAPSCREW, 5/8-11X1	
19	VAF7425	2	FLAT WASHER, 5/8"	
20	VA17834	1	GREASE FITTING	
21	VAE-6708	1	BOOM LIFT CYLINDER	
22	VA3148-0038A	1	BOOM ROTATE CYLINDER	



# BOOM

## Boom Arm





## Boom Arm

Item	Part Number	Qty.	Description	Rev.
1	VA8040-0093D	1	REAR BOOM ARM	
2	VA8040-0094D	1	FRONT BOOM ARM	
3	VA8347-0055C	1	GUARD	
4	VA6040-0030B	1	SWIVEL ARM	
5	VA4895-0876B	1	BRACE TUBE	
6	VA8349-0006B	1	R.H. REAR GUSSET	
7	VA8349-0007B	1	L.H. REAR GUSSET	
8	VA4032-0712A	4	TUBE ANGLE CLAMP	
9	VA8349-0009C	2	FRONT GUSSET	
10	VA8127-0014B	2	BOTTOM CLAMP	
11	VA4127-0046B	2	TOP CLAMP	
12	VA8849-0049B	1	HOSE SUPPORT	
	VA2846-0003A	1	STRAP	
13	VA8348-0028B	1	GUIDE	
	VA6740-0010D	1	BOOM PROP ASSY, (items 14-16)	
14	VA8740-0011B	1	BOOM PROP	
15	VA8092-0420B	1	BOOM PROP BRACKET	
16	VA4740-0006B	1	PROP STOP	

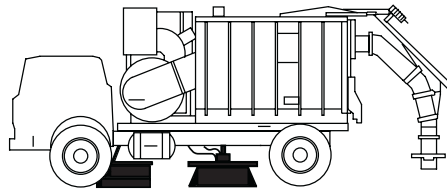


**BOOM**

**This Page Intentionally Left Blank**



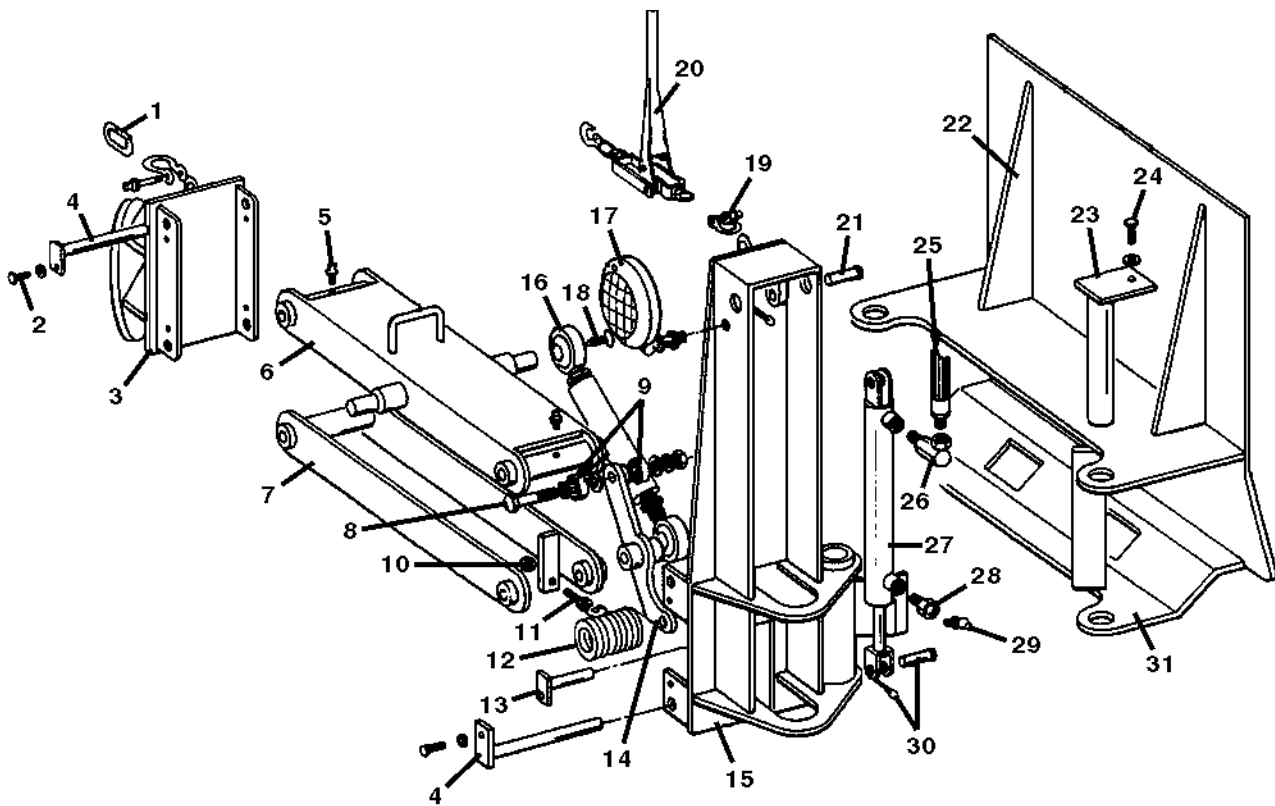
## SECTION 3 -ATTACHMENTS





# ATTACHMENTS

## Broom Linkage Assy - R.H. & L.H.



PAM0720



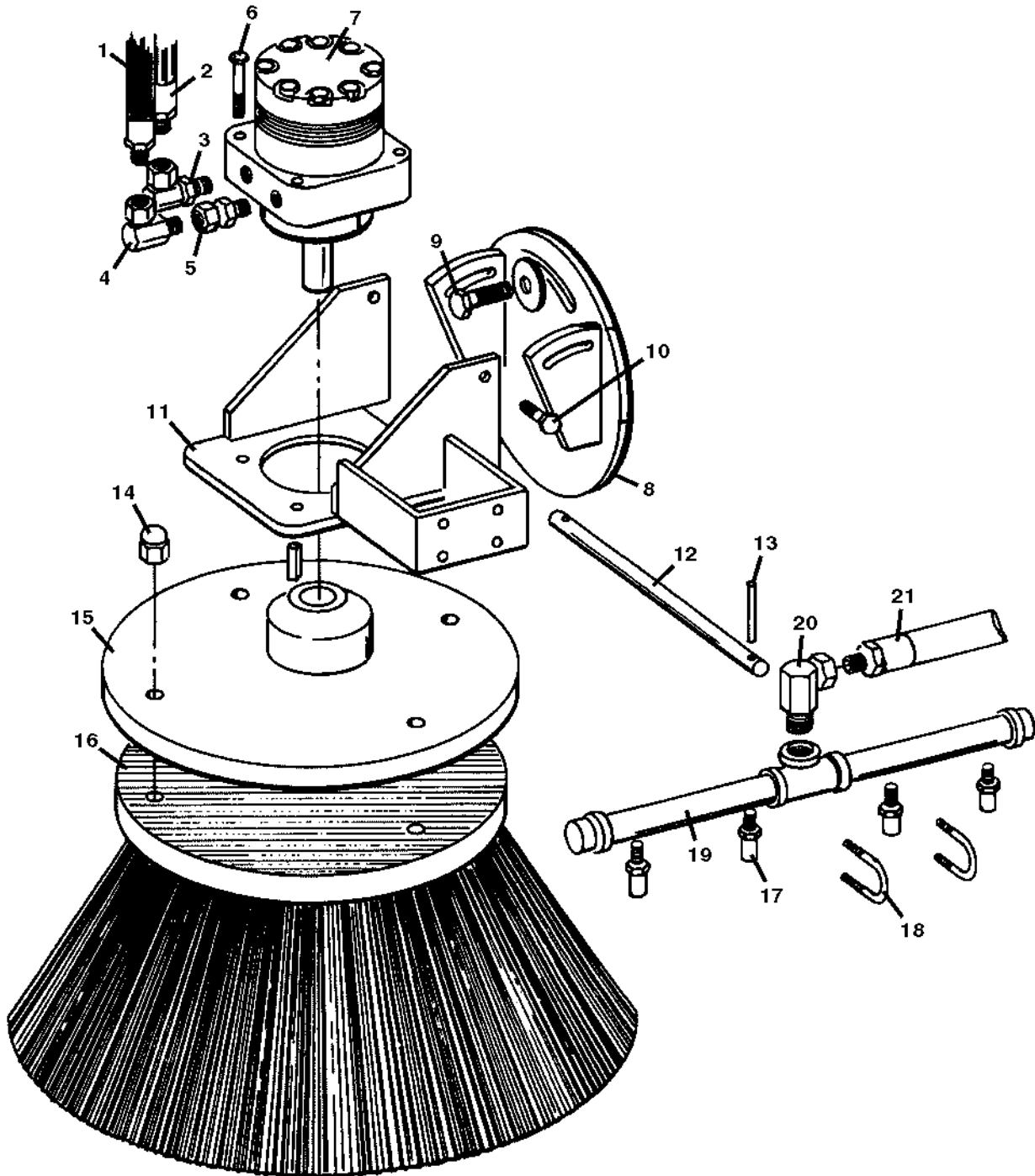
## Broom Linkage Assy - R.H. & L.H.

Item	Part Number	Qty.	Description	Rev.
1	VA6116-0009A	1	SAFETY CHAIN	
2	VAF0258	5	CAPSCREW, 3/8X3/4	
	VAF7250	6	FLAT WASHER, 3/8"	
	VAF7275	6	LOCKWASHER, 3/8"	
3	VA8092-0154C	1	R.H. BROOM BRACKET	
	VA8092-0155C	1	L.H. BROOM BRACKET	
4	VA8722-0028A	4	PIN	
5	VA2273-0002A	3	GREASE FITTING	
6	VA8040-0037B	1	UPPER ARM, (for units built before 11/9/87)	
	VA8040-0047B	1	UPPER ARM	
7	VA6040-0012B	1	LOWER ARM	
8	VAF0824	1	CAPSCREW, 7/16X3-1/4	
	VAF7325	2	FLAT WASHER, 7/16"	
	VAF3180	1	LOCKNUT, 7/16"	
9	VA2063-0005A	2	CAMROL BEARING	
10	VAF3250	5	NUT, 1/2"	
11	VA4785-0003A	1	END ROD	
12	VA4839-0002A	1	SPRING	
13	VA8722-0027A	1	PIN	
14	VA6040-0010B	1	PIVOT ARM	
15	VA8092-0103D	1	R.H. BRACKET	
	VA8092-0141D	1	L.H. BRACKET	
16		1	BROOM LINKAGE ARM, (for units built before 11/9/87), (order 8496-0049A to upgrade to new broom linkage arm)	
	VA6040-0015A	1	BROOM LINKAGE ARM	
17	VA2522-0012A	1	LIGHT	
18	VAF6355	2	FLAT HEAD SCREW, 5/8X1-1/4	
19	VA2833-0001A	1	SHACKLE	
20	VA4762-0023A	1	RETAINER	
21	VA2722-0418A	1	CLEVIS PIN	
	VA2722-0519A	1	COTTER PIN	
22	VA8092-0166D	1	PIVOT BRACKET, OLD STYLE	
	VA8092-0383C	1	L.H. TRANSFER BROOM, NEW STYLE	
	VA8092-0384C	1	R.H. TRANSFER BROOM, NEW STYLE	
23	VA8722-0026A	1	PIN	
24	VAF0258	1	CAPSCREW, 3/8X3/4	
25	VA3386-1184A	1	HOSE ASSY	
26	VA5401-0606	1	SWIVEL UNION	
27	VA3148-0068C	1	CYLINDER	
28	VA2092-0002A	1	BREATHER	
29	VA2273-0007A	1	GREASE FITTING	
30	VA2998-0013A	1	CLEVIS w/PIN YOKE	
31	VA2097-0021A	1	THRUST BEARING	
	VA8496-0049A	1	BROOM LINKAGE ARM KIT, (to upgrade old style linkage to new)	



# ATTACHMENTS

## Gutter Broom & Drive



PAM0730



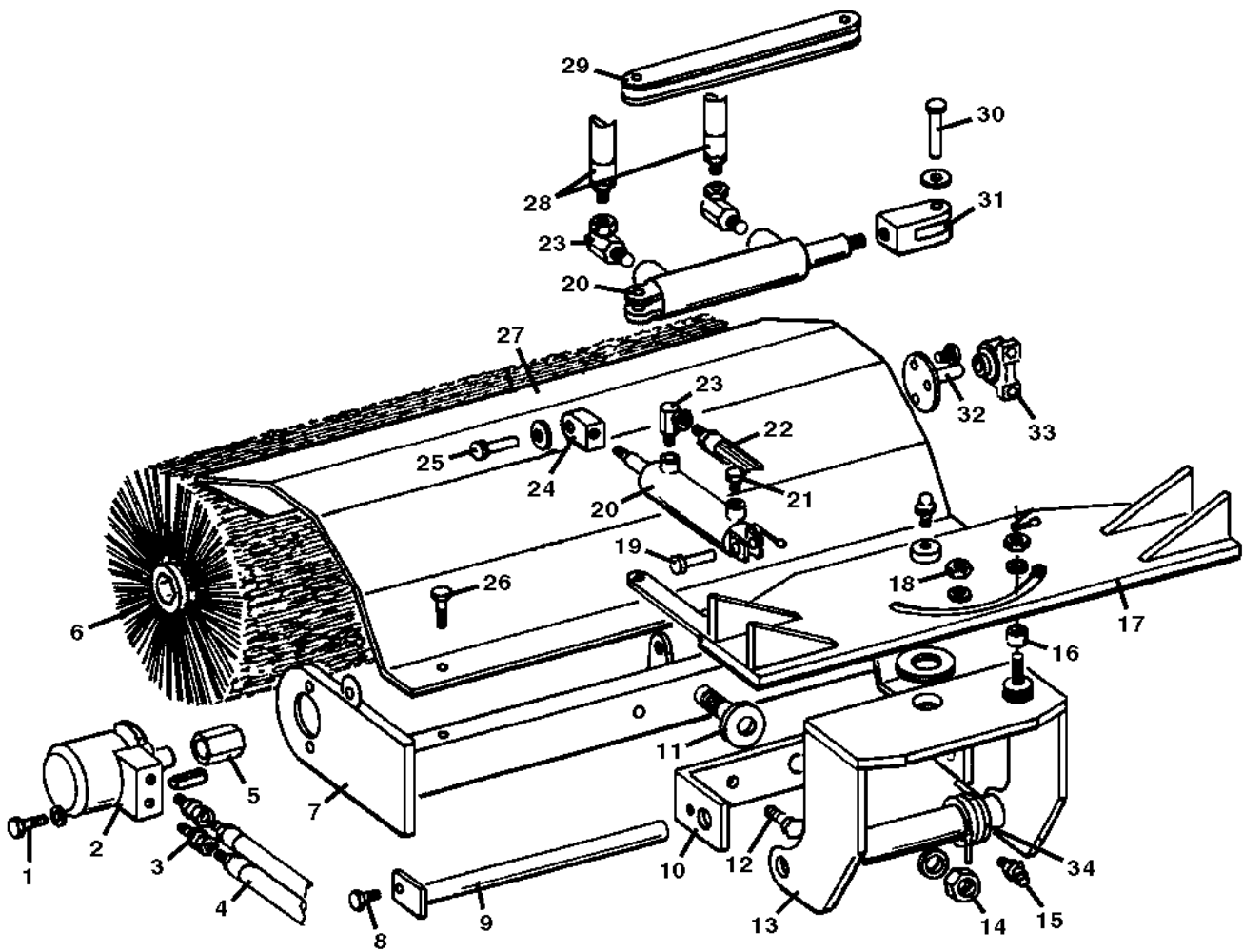
## Gutter Broom & Drive

Item	Part Number	Qty.	Description	Rev.
1	VA3386-1185A	2	R.H. & L.H. HOSE ASSY, PRESSURE LINE	
2	VA3386-1186A	1	R.H. HOSE ASSY, RETURN LINE	
	VA3386-1185A	1	L.H. HOSE ASSY, RETURN LINE	
3	VA5411-1406	1	UNION SWIVEL ADAPTER O-RING	
4	VA5401-0606	1	UNION SWIVEL ADAPTER	
5	VA5403-1006	1	UNION STRAIGHT SWIVEL O-RING	
6	VAF1061	1	CAPSCREW, 1/2X2-1/2	
	VAF7375	4	FLAT WASHER, 1/2"	
	VAF3225	4	LOCKNUT, 1/2"	
7	VA3587-0030B	1	BROOM MOTOR	
8	VA8092-0147C	1	ADJUSTING BRACKET	
	VA8092-0393C	1	ADJUSTING BRACKET, TRANSFER BROOM, NEW STYLE	
9	VAF0980	2	CAPSCREW, 1/2X1-1/2	
	VAF3225	7	NUT, 1/2"	
	VAF7375	6	FLAT WASHER, 1/2"	
10	VAF1037	2	CAPSCREW, 1/2X2	
11	VA8092-0149C	1	R.H. MOTOR BRACKET	
	VA8092-0392C	1	R.H. MOTOR BRACKET, TRANSFER BROOM, NEW STYLE	
	VA8092-0151C	1	L.H. MOTOR BRACKET	
	VA8092-0397C	1	L.H. MOTOR BRACKET, TRANSFER BROOM, NEW STYLE	
12	VA4723-0029A	1	PIN	
13		2	ROLL PIN, 5/32X1-1/2	
14	VAF2990	4	CAP NUT, 3/8"	
	VAF0401	4	CAPSCREW, 3/8X1-3/4	
		4	LOCKWASHER, 3/8"	
	VAF7275	4	FLAT WASHER, 3/8"	
15	VA8009-0031C	1	BROOM ADAPTER, 30"	
	VA8009-0067C	1	BROOM ADAPTER, 36"	
16	VA2093-0002C	1	WIRE GUTTER BROOM, 30"	
	VA2093-0013C	1	POLYPROPYLENE GUTTER BROOM, 30"	
	VA2093-0016C	1	WIRE GUTTER BROOM, 36"	
17	VA2635-0001A	4	NOZZLE	
18	VA2899-0001A	2	U-BOLT, 1/4"	
	VAF7100	2	LOCKWASHER, 1/4"	
	VAF2725	2	NUT, 1/4"	
19	VA6635-0008B	1	NOZZLE ASSY, (item 17)	
20		1	PIPE STREET ELBOW, 90 DEGREES	
21	VA3386-3128A	1	HOSE ASSY	



# ATTACHMENTS

## Transfer Broom





## Transfer Broom

Item	Part Number	Qty.	Description	Rev.
1	VAF1010	2	CAPSCREW, 1/2X1-3/4	
	VAF7360	2	FLAT WASHER, 1/2"	
	VAF7975	2	LOCKWASHER, 1/2"	
	VAF3223	2	NUT, 1/2"	
2	VA3587-0029B	1	HYDRAULIC MOTOR	
	VA9498-0025	1	KEY	
3	VA5403-1006	2	SWIVEL ADAPTER	
4	VA3386-1186A	2	HOSE	
5	VA8138-0022A	1	DRIVE COLLAR	
6	VA2093-0010B	1	TRANSFER BROOM, POLY & WIRE	
	VA2093-0011B	1	TRANSFER BROOM, WIRE	
	VA2093-0012B	1	TRANSFER BROOM, POLY	
7	VA8290-0169C	1	BOOM FRAME	
8	VAF0022	1	CAPSCREW, 1/4X3/4	
	VAF7075	1	LOCKWASHER, 1/4"	
9	VA8722-0062A	1	PIVOT SHAFT	
10	VA6727-0010C	1	PIVOT	
11	VA4837-0092A	2	SPACER	
12	VAF1900	2	CAPSCREW, 3/4X3-3/4	
	VAF7500	2	FLAT WASHER, 3/4"	
	VAF3675	2	ELASTIC STOP NUT, 3/4"	
13	VA6092-0020B	1	PIVOT BRACKET	
14	VAF4076	2	CASTLE NUT, 1-1/4"	
	VAF6900	2	COTTER PIN, 1/4X2	
15	VA17834	4	GREASE ZERK	
16	VA4837-0095A	2	SPACER	
17	VA8092-0390B	1	MOUNTING BRACKET	
18	VAF7500	2	FLAT WASHER, 3/4"	
	VAF3710	2	NUT, 3/4"	
	VAF6910	2	COTTER PIN, 3/16X2	
19	VA2722-0447	2	CLEVIS PIN, 3/4"	
	VAF7500	2	FLAT WASHER, 3/4"	
	VAF6760	2	COTTER PIN, 1/8X1-1/4	
20	VA3148-0026B	2	LIFT CYLINDER	
21	VA2092-0002A	1	BREATHER	
22	VA3386-1200A	1	HOSE	
23	VA5401-0606	3	SWIVEL ELBOW ADAPTER	
24	VA4129-0011A	1	CLEVIS	
25	VA2722-0424	1	CLEVIS PIN	
	VAF7350	1	FLAT WASHER, 1/2"	
	VAF6750	1	COTTER PIN, 1/8X1	
26	VAF0258	4	SELF-TAPPING SCREW, 3/8X3/4	
27	VA8347-0052C	1	GUARD	
28	VA3386-1199A	2	HOSE	
29	VA4784-0076A	1	STATIONARY ROD	
30	VA2722-0417	1	CLEVIS PIN	
	VAF7350	2	FLAT WASHER, 1/2"	
	VAF6750	2	COTTER PIN, 1/8X1	
31	VA4129-0012A	1	CLEVIS	



# ATTACHMENTS

## Transfer Broom (Continued)

Item	Part Number	Qty.	Description	Rev.
32	VA8820-0027A	1	IDLER SHAFT	
33	VA2063-0010A	1	BEARING ASSY	
34	VA2842-0028A	2	SPRING	





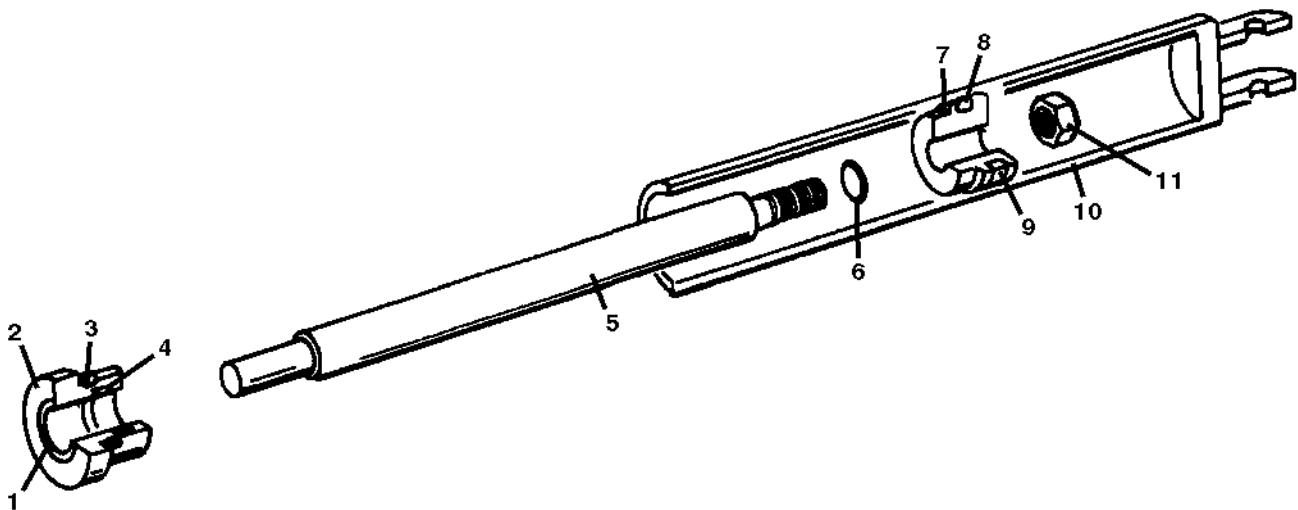
**Transfer Broom (Continued)**

Item	Part Number	Qty.	Description	Rev.



# ATTACHMENTS

## Gutter Broom Lift Cylinder



PAM0750



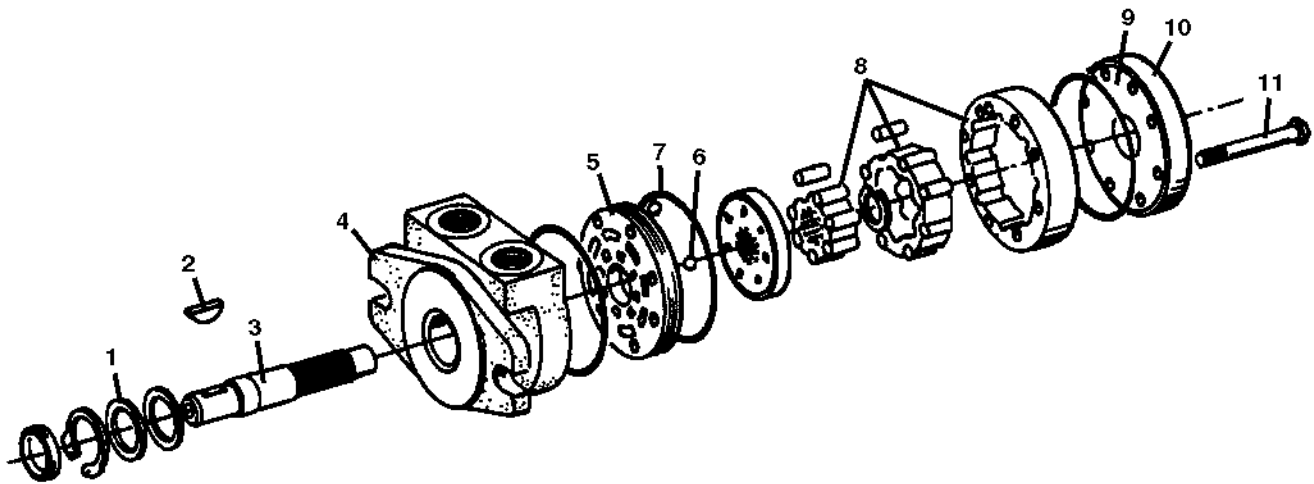
## Gutter Broom Lift Cylinder

Item	Part Number	Qty.	Description	Rev.
	VA3148-0068C		GUTTER BROOM LIFT CYLINDER, (all items)	
1		1	ROD WIPER	
2	VA9348-0017	1	ROD GUIDE	
3		1	O-RING	
4		1	SEAL	
5		1	PISTON ROD	
6		1	O-RING	
7	VA9725-0024	1	PISTON	
8		2	BACK-UP O-RING	
9		1	PISTON O-RING	
10	VA9085-0038	1	CYLINDER TUBE	
11		1	LOCKNUT	
	VA9486-0158A	1	SEAL KIT, (items 4-6, 8, 9 & 11)	



# ATTACHMENTS

## Gutter Broom Motor



PAM0760



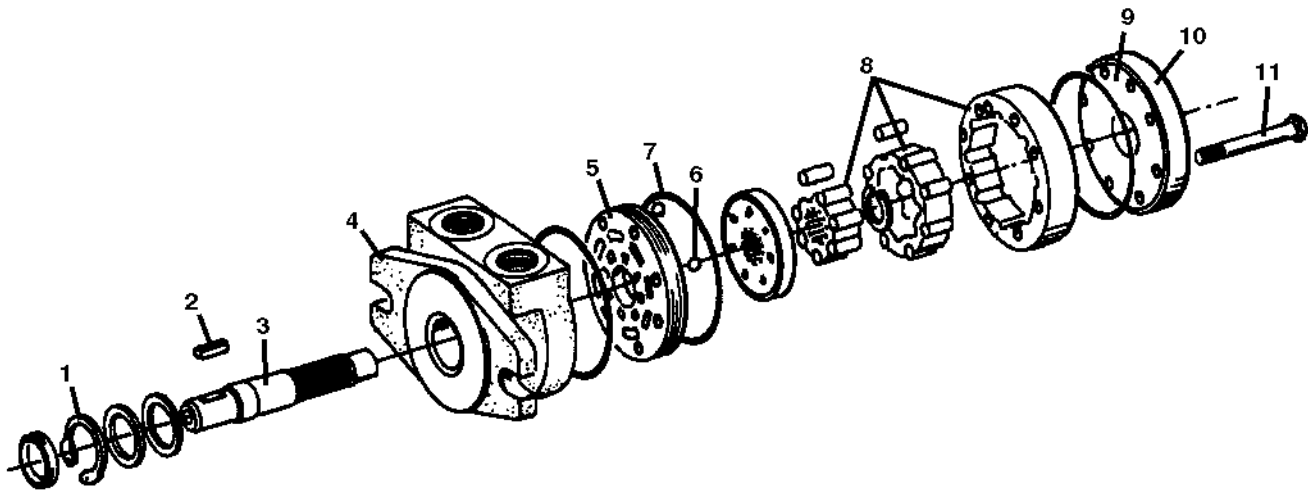
## Gutter Broom Motor

Item	Part Number	Qty.	Description	Rev.
	VA3587-0030B		GUTTER BROOM MOTOR, (all items)	
1	VA9772-0041	1	BACKUP RING	
2	VA9498-0026	1	WOODRUFF KEY	
3	VA9820-0052	1	SHAFT	
4	VA9085-0034	1	BRIDGE BODY ASSY	
5	VA9727-0043	1	COMMUTATOR PLATE	
6	VA9056-0010	2	CHECK VALVE BALL	
7	VA9910-0077	1	ROTARY VALVE	
8	VA9405-0001	1	GEROTOR ASSY	
9	VA9738-0014	1	VENT PLUG	
10	VA9139-0046	1	BEARING COVER ASSY	
11	VA9084-0001	8	BOLT	
	VA9486-0128A	1	SEAL KIT	

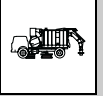


# ATTACHMENTS

## Transfer Broom Motor



PAM0770



## Transfer Broom Motor

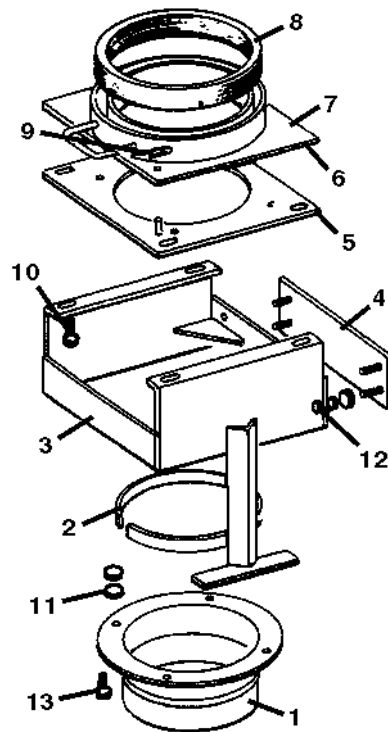
Item	Part Number	Qty.	Description	Rev.
	VA3587-0029B		TRANSFER BROOM MOTOR, (all items)	
1	VA9772-0041	1	BACKUP RING	
2	VA9498-0025	1	KEY	
3	VA9820-0051	1	SHAFT	
4		1	BODY BEARING ASSY,	
5	VA9727-0043	1	COMMUTATOR PLATE	
6	VA9056-0010	2	CHECK VALVE BALL	
7	VA9910-0077	1	ROTARY VALVE	
8	VA9405-0001	1	GEROTOR ASSY	
9	VA9738-0014	1	VENT PLUG	
10	VA9139-0046	1	BRIDGE COVER ASSY	
11	VA9084-0001	8	BOLT	
	VA9486-0128A	1	SEAL KIT	



# ATTACHMENTS

## Body Adapter Assy

---







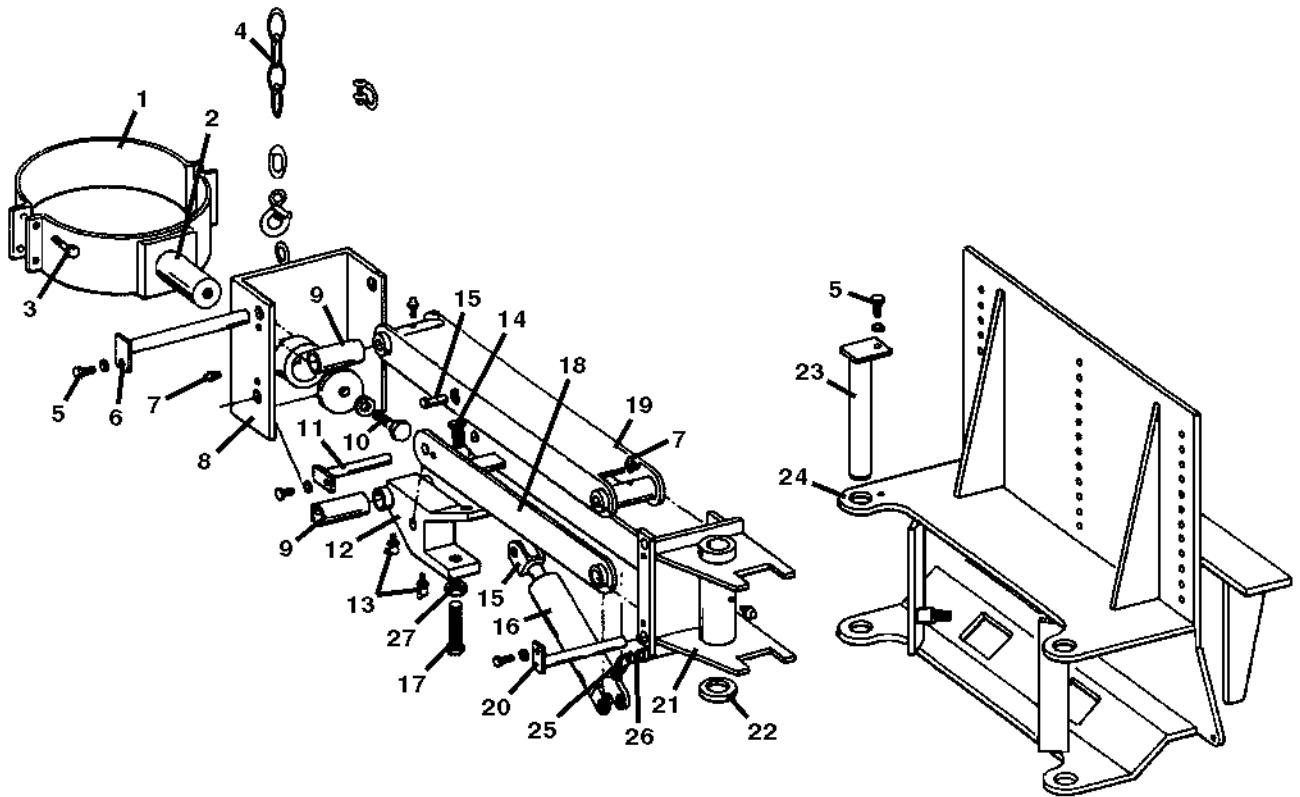
## Body Adapter Assy

Item	Part Number	Qty.	Description	Rev.
	VA6009-0010C	1	R.H. BODY ASSY, (items 1-13)	
	VA6009-0009C	1	L.H. BODY ASSY, (items 1-13)	
1	VA8138-0001B	2	HOSE COUPLER	
2	VA4773-0001A	2	WATER RING	
3	VA8092-0399C	1	L.H. BODY ADAPTER BRACKET	
	VA8092-0398C	1	R.H. BODY ADAPTER BRACKET	
4	VA8726-0017A	2	MOUNTING PLATE	
5	VA8726-0018A	2	ADJUSTING PLATE	
6	VA8803-0001B	2	INTAKE PLATE SEAL, OPEN	
7	VA8803-0002B	2	INTAKE PLATE SEAL, CLOSED	
8	VA4302-0007A	2	INTAKE & COVER PLATE SEAL	
9	VA2352-0001A	2	COTTER HAIR PIN	
10	VAF0350	8	CAPSCREW, 3/8X1-1/2	
	VAF7255	16	FLAT WASHER, 3/8"	
11	VAF7850	16	LOCKWASHER, 3/8"	
	VAF2975	16	NUT, 3/8"	
12	VAF3475	8	NUT, 5/8"	
	VAF8050	8	FLAT WASHER, 5/8"	
	VAF8025	8	LOCKWASHER, 5/8"	
13	VAF0277	8	MACHINE SCREW, 3/8X1	



# ATTACHMENTS

## Nozzle Linkage Assy





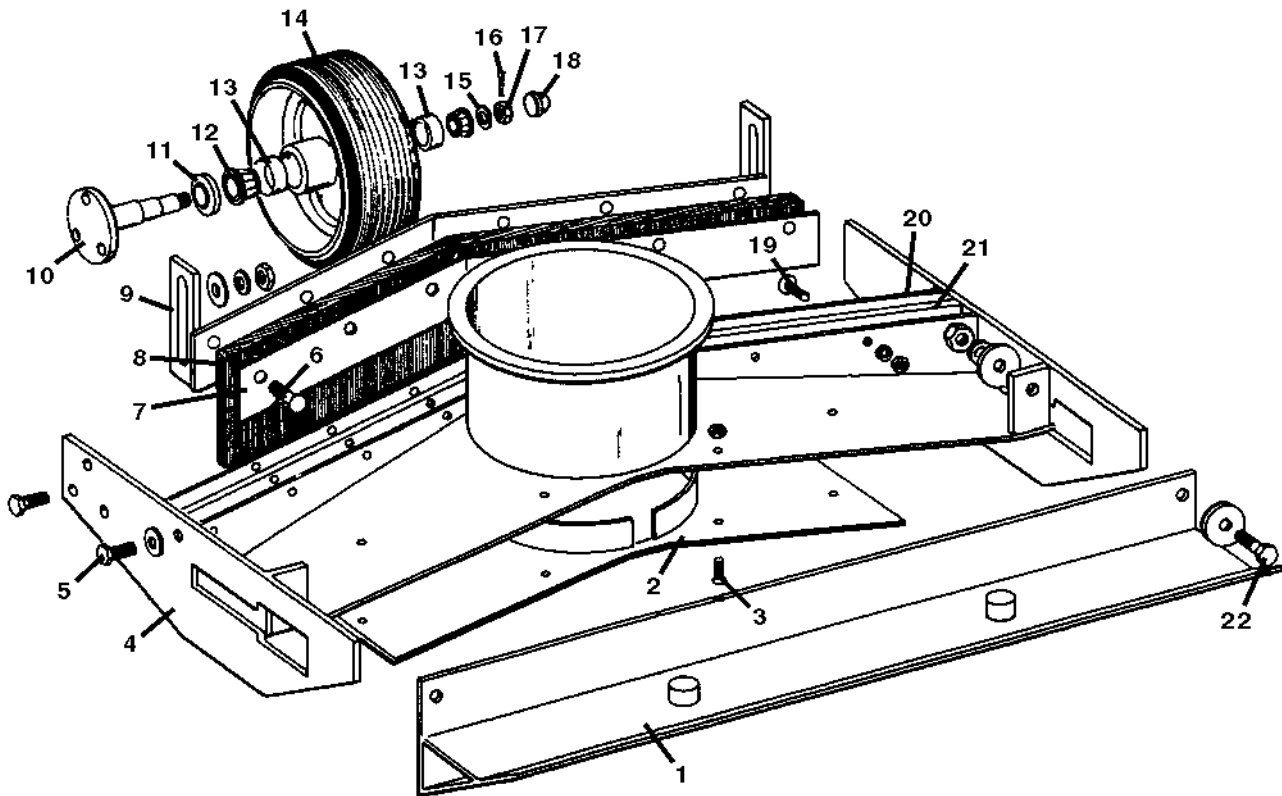
## Nozzle Linkage Assy

Item	Part Number	Qty.	Description	Rev.
	VA6525-0008C	1	R.H. NOZZLE LINK ASSY, (items 5-14 & 17-21)	
	VA6525-0009C	1	L.H. NOZZLE LINK ASSY, (items 5-14 & 17-21)	
	VA6525-0010C	1	R.H. NOZZLE LINK ASSY w/CYLINDERS, (6525-0008c & 15-16)	
	VA6525-0011C	1	L.H. NOZZLE LINK ASSY w/CYLINDERS, (6525-0009c & items 15-16)	
	VA6525-0012C	1	R.H. NOZZLE LINK ASSY w/CYL & BRACKET, (6525-0010c & items 22-24)	
	VA6525-0013C	1	L.H. NOZZLE LINK ASSY w/CYL & BRACKET, (6525-0011c & items 22-24)	
1	VA4127-0016A	1	HALF CLAMP	
2	VA8725-0002B	1	NOZZLE PIVOT	
3	VAF0980	4	CAPSCREW, 1/2X1-1/2	
	VAF7350	4	LOCKWASHER, 1/2"	
	VAF3235	4	NUT, 1/2"	
4	VA6116-0003A	1	SAFETY CHAIN	
5	VAF0277	6	CAPSCREW, 3/8X1	
	VAF7255	6	FLAT WASHER, 3/8"	
	VAF3025	6	LOCKWASHER, 3/8"	
6	VA8722-0023A	2	PIN	
7	VA2273-0002A	3	GREASE FITTING	
8	VA8092-0101B	1	LINK PIVOT	
	VA8092-0369C	1	LINK PIVOT, TRANSFER BROOM, NEW STYLE	
9	VA4895-0105A	2	SPACER	
10	VA4952-0009A	1	WASHER	
	VA4822-0002A	3	SHIM	
	VAF8075	1	LOCKWASHER, 3/4"	
	VAF1631	1	CAPSCREW, 3/4X1-1/2	
11	VA8722-0024A	1	PIN	
		1	ROLL PIN, 3/16X1-1/2	
12	VA8524-0015B	1	LOWER PIVOT LINK	
13	VA2273-0007A	3	GREASE FITTING	
14	VAF1650	1	CAPSCREW, 3/4X1-3/4	
15	VA2998-0013A	1	CLEVIS w/PINS YOKE	
16	VA3148-0026B	1	CYLINDER	
17	VAF1965	1	ADJUSTER SCREW, 3/4"	
18	VA6525-0007B	1	LOWER ARM ASSY	
	VA6525-0043B	1	LOWER ARM ASSY, TRANSFER BROOM, NEW STYLE	
19	VA8040-0018B	1	UPPER ARM	
	VA8040-0084B	1	UPPER ARM, TRANSFER BROOM, NEW STYLE	
20	VA8722-0025A	2	PIN	
21	VA8092-0102C	1	R.H. PIVOT BRACKET	
	VA8092-0137C	1	L.H. PIVOT BRACKET	
22	VA2097-0021A	1	THRUST WASHER BEARING	
23	VA8722-0026A	1	PIN	
	VA8722-0058A	1	TRANSFER BROOM PIN, NEW STYLE	
24	VA8092-0166D	1	BRACKET	
	VA8092-0383C	1	L.H. TRANSFER BROOM, NEW STYLE	
	VA8092-0384C	1	R.H. TRANSFER BROOM, NEW STYLE	
25	VA5401-0606	1	UNION	
26	VA3386-1185A	1	HOSE ASSY	
27	VAF3735	2	NUT, 3/4"	



# ATTACHMENTS

## 42" Nozzle Assy



PAM0800



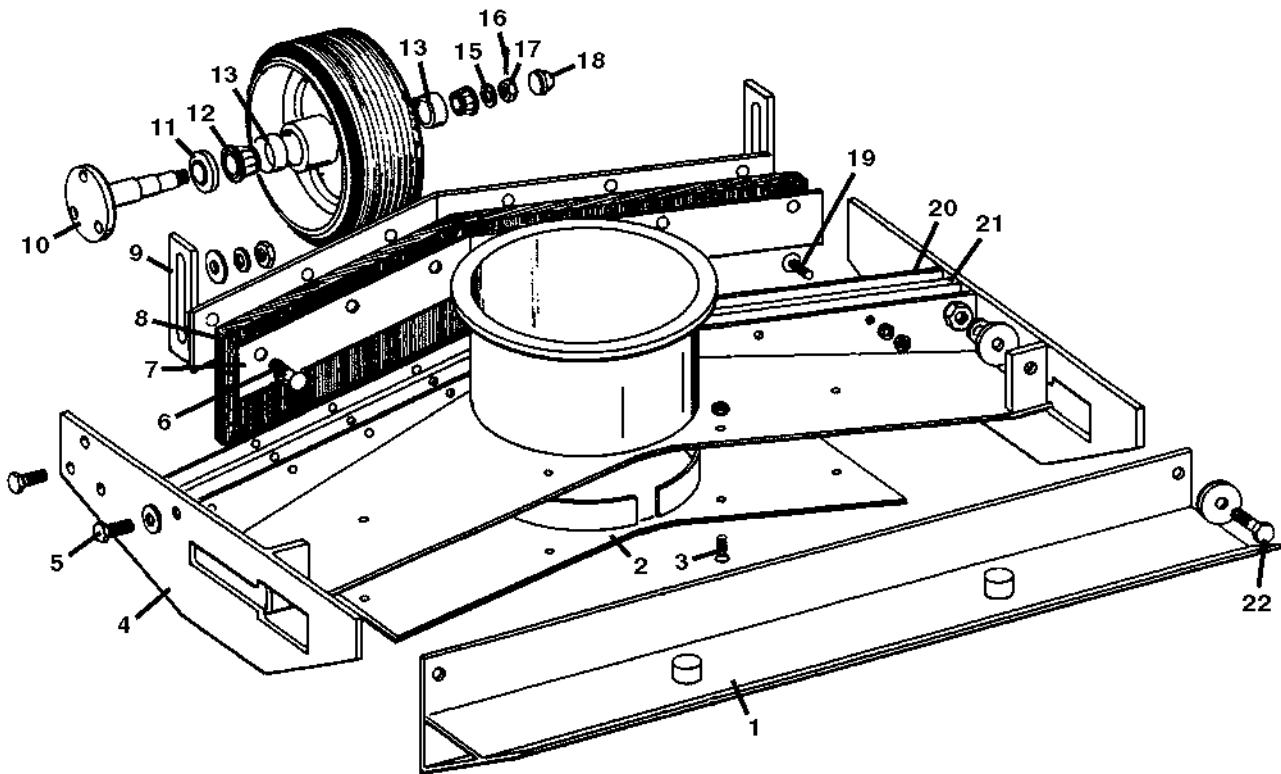
## 42" Nozzle Assy

Item	Part Number	Qty.	Description	Rev.
	VA6635-0010D		42" NOZZLE ASSY, (all items)	
1	VA8162-0003C	1	DEFLECTOR	
2	VA8522-0005C	1	R.H. LINER	
	VA8522-0006C	1	L.H. LINER	
3	VAF5483	6	FLAT HEAD SCREW, 1/4X3/4	
	VAF7075	6	FLAT WASHER, 1/4"	
	VAF2725	6	LOCKNUT, 1/4"	
4	VA8635-0003D	1	NOZZLE WELDMENT	
5	VAF0979	8	CAPSCREW, 1/2X1-1/2	
	VAF3250	10	NUT, 1/2"	
	VAF7975	10	LOCKWASHER, 1/2"	
	VAF7360	4	FLAT WASHER, 1/2"	
6	VAF0400	7	CARRIAGE SCREW, 3/8X1-3/4	
	VAF3100	14	NUT, 3/8"	
7	VA4762-0019B	1	RETAINER	
8	VA4804-0004B	1	RUBBER SCRAPER	
9	VA8092-0131B	2	BRACKET	
10	VA8047-0001B	2	AXLE	
11	VA2832-0005A	4	SEAL	
12	VA9063-0021	4	ROLLER BEARING	
13	VA2773-0002A	4	SPACER	
14	VA3968-0001C	2	WHEEL, (items 11-13)	
	VA6968-0002B	2	WHEEL ASSY, (items 10-18)	
15	VA2955-0002A	2	WASHER	
16	VAF6760	2	COTTER PIN, 1/8X1-1/2	
17	VA2647-0006A	2	STOTTED HEX NUT, 3/4"	
18	VA2104-0007A	2	GREASE CAP	
19	VAF0325	7	CARRIAGE SCREW, 3/8X1-1/4	
20	VA4762-0018B	1	RETAINER	
21	VA4804-0003B	1	RUBBER STRIP	
22	VAF0950	2	CAPSCREW, 1/2X1-1/4	

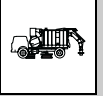


# ATTACHMENTS

## 48" Nozzle Assy



PAM0810



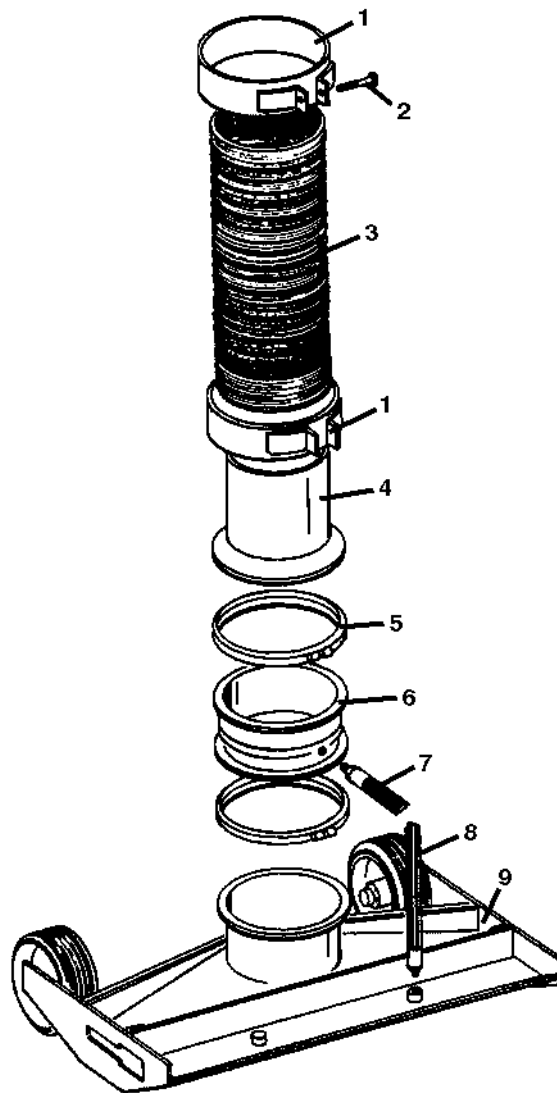
## 48" Nozzle Assy

Item	Part Number	Qty.	Description	Rev.
	VA6635-0020D		R.H. NOZZLE ASSY, (all items)	
	VA6635-0021D		L.H. NOZZLE ASSY, (all items)	
1	VA8162-0013C	1	DEFLECTOR	
2	VA8522-0005C	1	R.H. LINER	
	VA8522-0006C	1	L.H. LINER	
3	VAF5483	6	FLAT HEAD SCREW, 1/4X3/4	
	VAF7075	6	FLAT WASHER, 1/4"	
	VAF2725	6	LOCKNUT, 1/4"	
4	VA8635-0009D	1	R.H. NOZZLE WELDMENT	
	VA8635-0010D	1	L.H. NOZZLE WELDMENT	
5	VAF0979	8	CAPSCREW, 1/2X1-1/2	
	VAF3250	10	NUT, 1/2"	
	VAF7360	10	FLAT WASHER, 1/2"	
6	VAF5185	7	CARRIAGE SCREW, 3/8X1-3/4	
	VAF3075	14	NUT, 3/8"	
7	VA4762-0021B	1	RETAINER	
8	VA4804-0012B	1	RUBBER SCRAPER, 3/4"	
9	VA8092-0217B	1	BRACKET	
10	VA8047-0001B	2	AXLE	
11	VA2832-0005A	2	SEAL	
12	VA9063-0021	4	ROLLER BEARING	
13	VA2773-0002A	4	RALE	
14	VA3968-0001C	2	WHEEL, (items 11-13)	
	VA6968-0002B	2	WHEEL ASSY, (items 10-18)	
15	VA2955-0002A	2	WASHER	
16	VAF6760	2	COTTER PIN, 1/8X1-1/2	
17	VA2647-0006A	2	STOTTED HEX NUT, 3/4"	
18	VA2104-0007A	2	GREASE CAP	
19	VAF7175	7	CARRIAGE SCREW, 3/8X1-1/4	
20	VA4762-0020B	1	RETAINER	
21	VA4804-0013B	1	RUBBER STRIP, 1/2"	
22	VAF0960	2	CAPSCREW, 1/2X1-1/4	



# ATTACHMENTS

## Nozzle Pick-Up Tube Assy



PAM0820





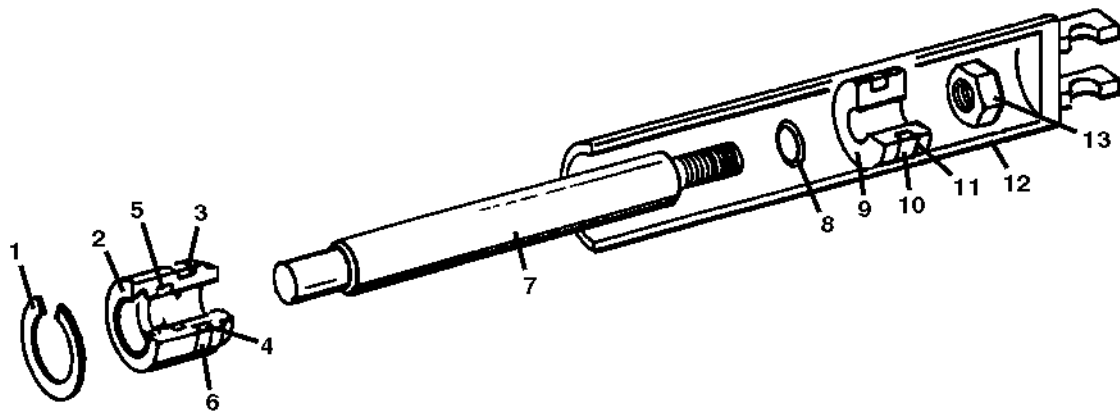
## Nozzle Pick-Up Tube Assy

Item	Part Number	Qty.	Description	Rev.
1	VA6053-0012C	2	HOSE CLAMP	
2		2	CAPSCREW, 1/2X3	
		2	LOCKWASHER, 1/2"	
		2	NUT, 1/2"	
3	VA2390-0001B	1	HOSE	
4	VA8138-0001B	1	COUPLER	
5	VA6127-0012C	2	TUBE FLANGE CLAMP	
6	VA8552-0003C	1	SCRUBBER MANIFOLD	
7	VA3386-3104A	1	WATER HOSE	
8	VA3386-3108A	1	WATER HOSE	
9	VA6635-0010D	1	42" NOZZLE ASSY	
	VA6635-0020D	1	48" R.H. NOZZLE ASSY	
	VA6635-0021D	1	48" L.H. NOZZLE ASSY	



# ATTACHMENTS

## Nozzle & Transfer Broom Cylinder





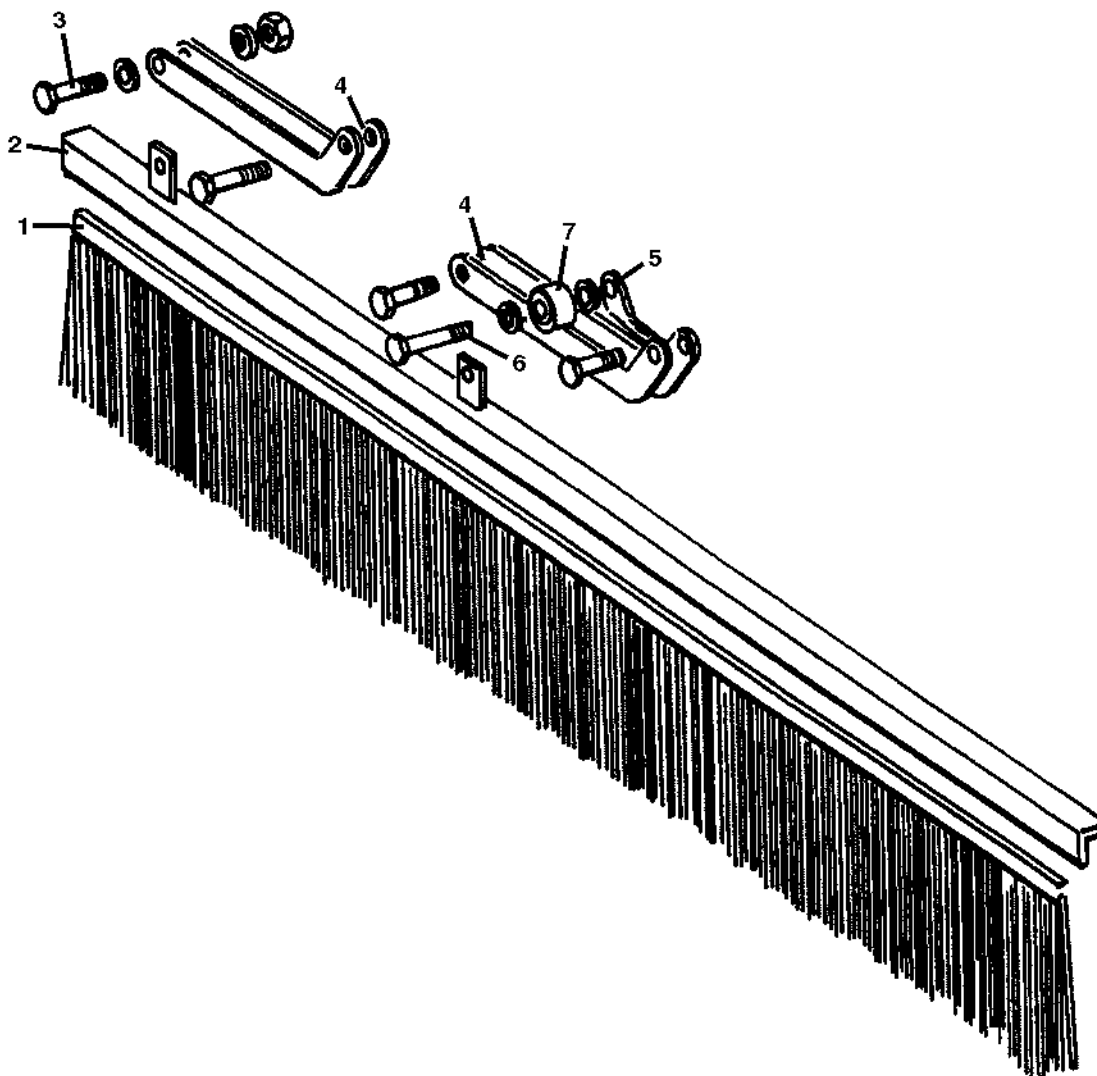
## Nozzle & Transfer Broom Cylinder

Item	Part Number	Qty.	Description	Rev.
	VA3148-0026B	1	NOZZLE & TRANSFER BROOM CYLINDER, (all items)	
1	VA9841-0009	1	SNAP RING	
2	VA9832-0034	1	WIPER SEAL	
3		1	ROD GUIDE	
4		1	O-RING	
5	VA9690-0014	1	O-RING	
6		1	BACK-UP WASHER	
7	VA9785-0007	1	PISTON ROD	
8	VA9690-0013	1	O-RING	
9		1	PISTON	
10		1	O-RING	
11		1	BACK-UP WASHER	
12		1	CYLINDER TUBE	
13		1	NUT, 7/8"	
	VA9832-0035	1	SEAL KIT, (items 3, 4, 6 & 9-13)	



# ATTACHMENTS

## Deflector Brush



PAM0840



## Deflector Brush

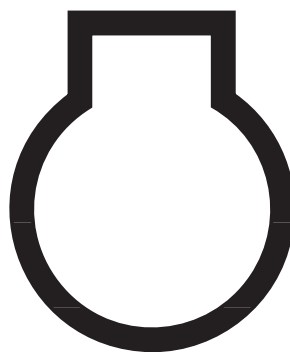
Item	Part Number	Qty.	Description	Rev.
1	VA2094-0001A	1	72" LONG DEFLECTOR BRUSH	
	VA2094-0004A	1	48" LONG DEFLECTOR BRUSH	
2	VA8354-0007B	1	72" LONG BRUSH HANGER	
	VA8354-0005B	1	48" LONG BRUSH HANGER	
3	VAF1035	4	CAPSCREW, 1/2X2	
	VAF7360	5	FLAT WASHER, 1/2"	
	VAF3325	4	NYLOCK NUT, 1/2"	
4	VA4040-0004B	3	BRUSH LIFT ARM	
5	VA4040-0005B	1	R.H. BRUSH LIFTARM	
	VA4040-0008B	1	L.H. BRUSH LIFT ARM	
6	VAF0822	1	CAPSCREW, 7/16X2	
	VAF3185	1	LOCKNUT, 7/16"	
7	VA2063-0005A	1	CAMROL BEARING	
8	VAF0330	5	CAPSCREW, 3/8X1-1/4	
	VAF2975	5	NUT, 3/8"	



## ATTACHMENTS

**This Page Intentionally Left Blank**

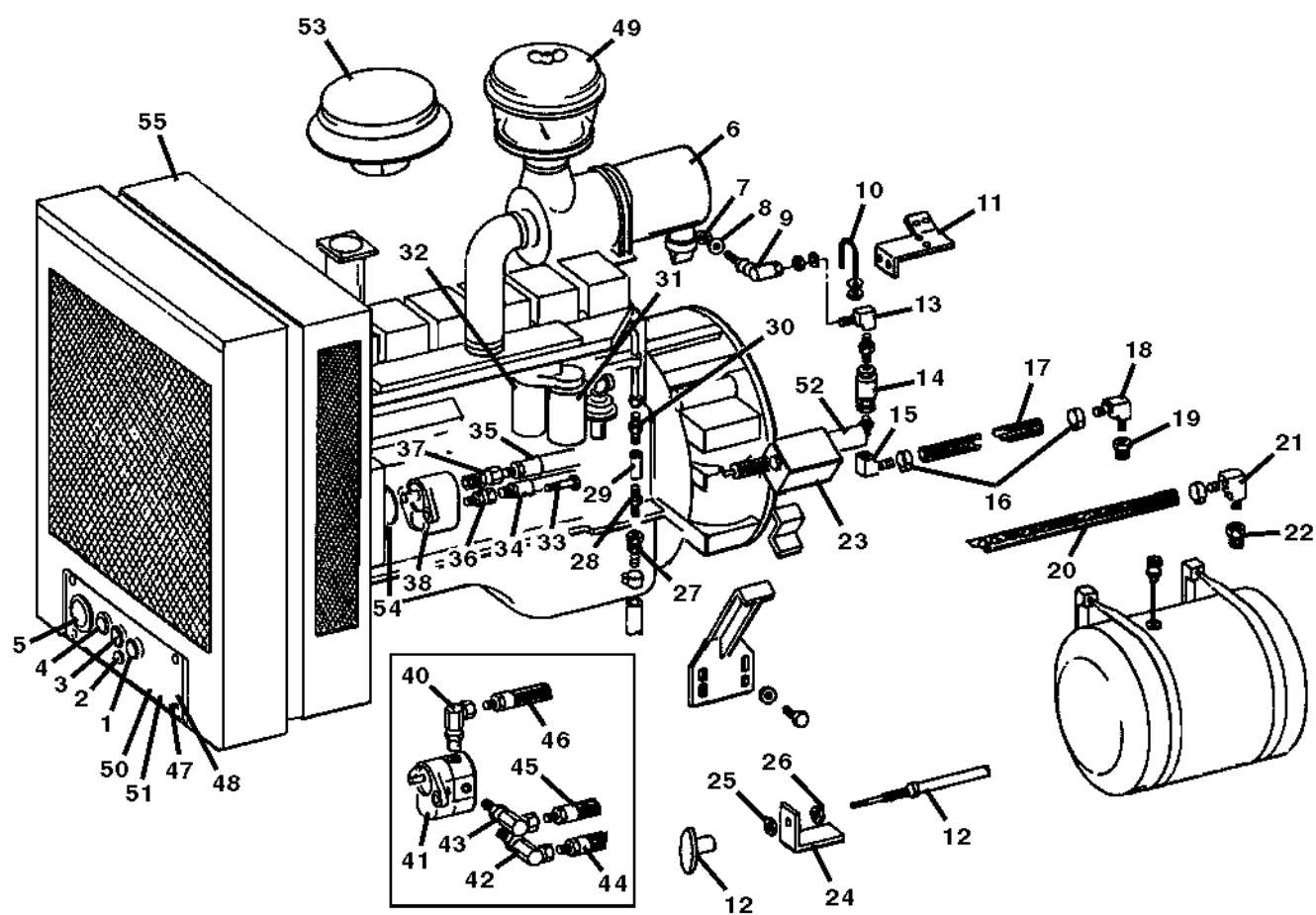
# **SECTION 4 -ENGINE & ATTACHING PARTS**





# ENGINE & ATTACHING PARTS

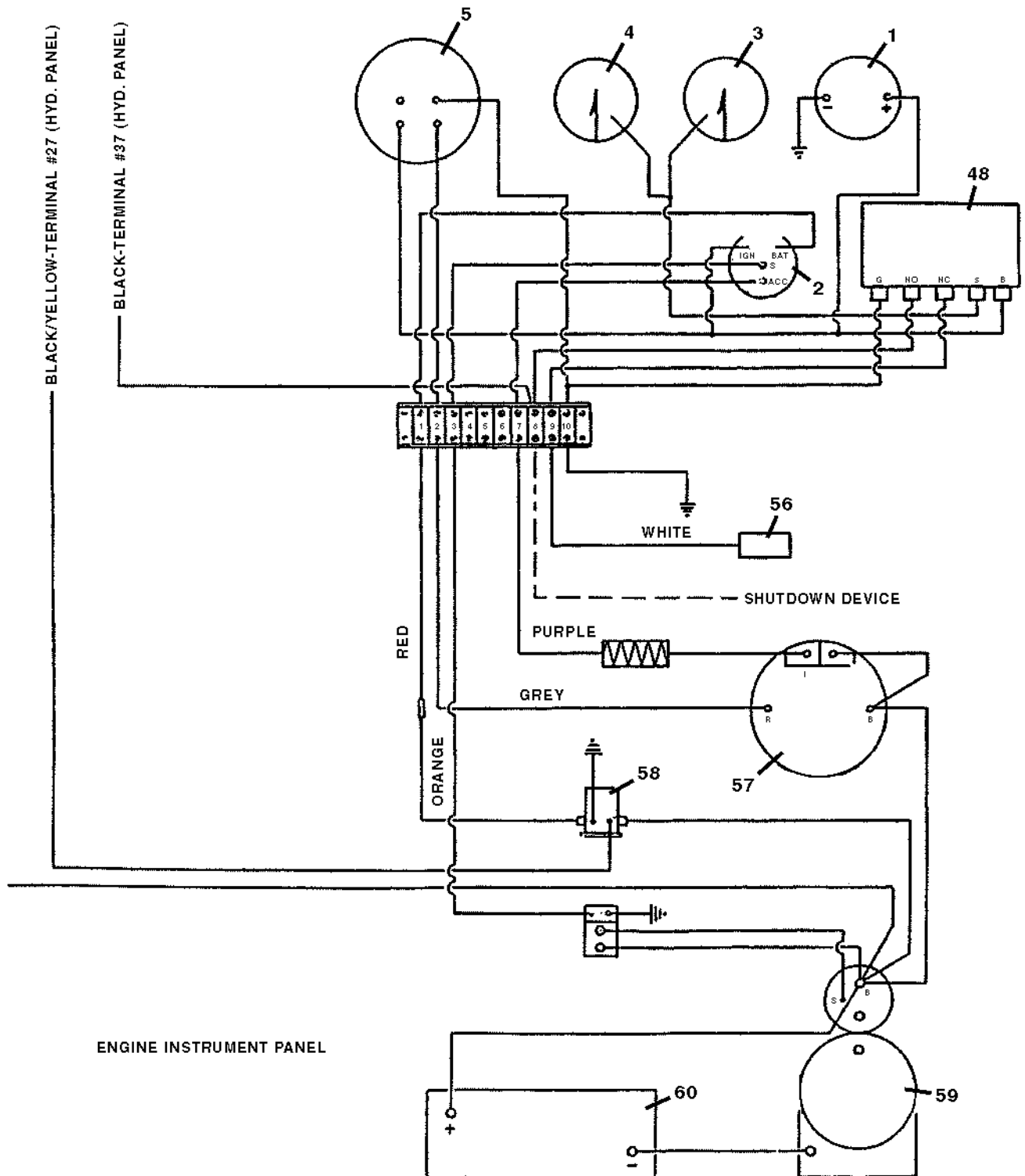
## Engine Assy







## Engine Assy (Continued)





# ENGINE & ATTACHING PARTS

## Engine Assy

Item	Part Number	Qty.	Description	Rev.

# ENGINE & ATTACHING PARTS



## Engine Assy (Continued)

Item	Part Number	Qty.	Description	Rev.
1	VA9305-0011A	1	VOLTMETER	
2	VA9848-0015	1	KEY SWITCH	
3	VA9305-0001B	1	OIL PRESSURE GAUGE	
4	VA9305-0002B	1	TEMPERATURE GAUGE	
5	VA9305-0004B	1	HOUR METER TACHOMETER	
6	VAE-7330	1	AIR CLEANER ASSY	
7	VAF2725	1	HEX NUT, 1/4"	
8	VAF7100	1	LOCKWASHER, 1/4"	
9	VA2785-0018A	5	ROD END BALL JOINT	
10	VA2899-0013A	1	U-BOLT w/(2) 1/4-28 HEX NUTS	
11	VA4090-0329B	1	DUAL CABLE BRACKET	
12	VA2102-0088A	1	FRONT THROTTLE CABLE	
	VA2102-0121A	1	REAR THROTTLE CABLE, 10 & 13 YD BODIES	
	VA2102-0122A	1	REAR THROTTLE CABLE, 14 & 16 YD BODIES	
13	VA30132	1	ELBOW	
14	VA2910-0101A	1	CHECK VALVE	
15	VA16398	1	NIPPLE	
16	VA2127-0013A	1	HOSE CLAMP	
17	VA4389-0018A	1	HOSE	
18	VA16189	1	NIPPLE	
19	VA@0183	1	REDUCER BUSHING	
20	VA4389-0055A	1	HOSE	
21	VA15726	1	NIPPLE	
22	VA@0079	1	REDUCER BUSHING	
23	VA2010-0010A	1	ELECTRIC CONTROL THROTTLE	
	VA6875-0009B	1	MANUAL CONTROL THROTTLE, (items 7-12 & 24-26)	
24	VA4090-0318A	1	MOUNTING BRACKET	
25	VAF2975	2	HEX NUT, 3/8-16	
26	VAF7250	2	LOCKWASHER, 3/8"	
27	VA5422-0407	1	NIPPLE	
28	VA5426-0402	1	CONNECTOR	
29	VA@0179	1	COUPLING	
30	VA5428-0302	1	CONNECTOR	
31	VAE-6762-3	1	FUEL FILTER ELEMENT	
32	VAE-6762-4	1	WATER SEPARATOR FILTER ELEMENT	
33	VAF1631	2	CAPSCREW, #10X1-1/2	
34	VA3386-3133A	1	HOSE ASSY, PRESSURE	
	VA3386-3132A	1	HOSE ASSY, PRESSURE w/SWEEPER	
35	VA3386-4167A	1	HOES ASSY, SUCTION	
36	VA5403-1012	1	ADAPTER UNION	
37	VA5403-1012	1	ADAPTER UNION	
38	VA3745-0032A	1	HYDRAULIC GEAR PUMP, (used on cummins)	
	VA3745-0033A	1	HYDRAULIC GEAR PUMP, (used on gm)	
	VA3745-0034A	1	HYDRAULIC GEAR PUMP, (used on ford, john deere, cat)	
	VA3745-0054A	1	TANDEM PUMP, (used on cummins w/transfer boom)	
39	VAE-6762-20	1	HOSE	
40	VA5411-1016	1	SWIVEL UNION, 90 DEGREES	
41	VA3745-0054A	1	TANDEM PUMP, (used w/transfer boom)	
42	VA5411-1012	1	SWIVEL UNION, 90 DEGREES	



## ENGINE & ATTACHING PARTS

### Engine Assy (Continued)

Item	Part Number	Qty.	Description	Rev.
43	VA5401-1212	1	SWIVEL UNION, 90 DEGREES	
44	VA3386-3133A	1	PRESSURE HOSE, (sweeper & hoist valving)	
45	VA3386-3132A	1	PRESSURE HOSE, (transfer broom valving)	
46	VA3386-4168A	1	SUCTION HOSE	
47	VA2848-0095A		BODY HOIST SWITCH	
48	VA9848-0010		RELAY SWITCH	
49	VA3741-0001A	1	PRE-CLEANER	
50	VA2848-0100A	1	WATER PUMP SWITCH	
51	VA2087-0003A	1	RUBBER BOOT	
52	VA9585-0010	1	MOTOR	
53	VAE-6935	1	INLET HOOD	
54	VAE-6759	1	FRONT GEAR TRAIN ACCESSOR	
55	VA9755-0002	1	RADIATOR	
56	VAE-6762-7	1	FUEL SOLENOID VALVE	
57	VAE-6762-11	1	ALTERNATOR	
58	VA9765-0002A	1	STARTER SOLENOID	
59	VAE-6762-12	1	STARTER MOTOR	
60	VA2056-0001A	1	BATTERY, 12V, VDC	

# ENGINE & ATTACHING PARTS



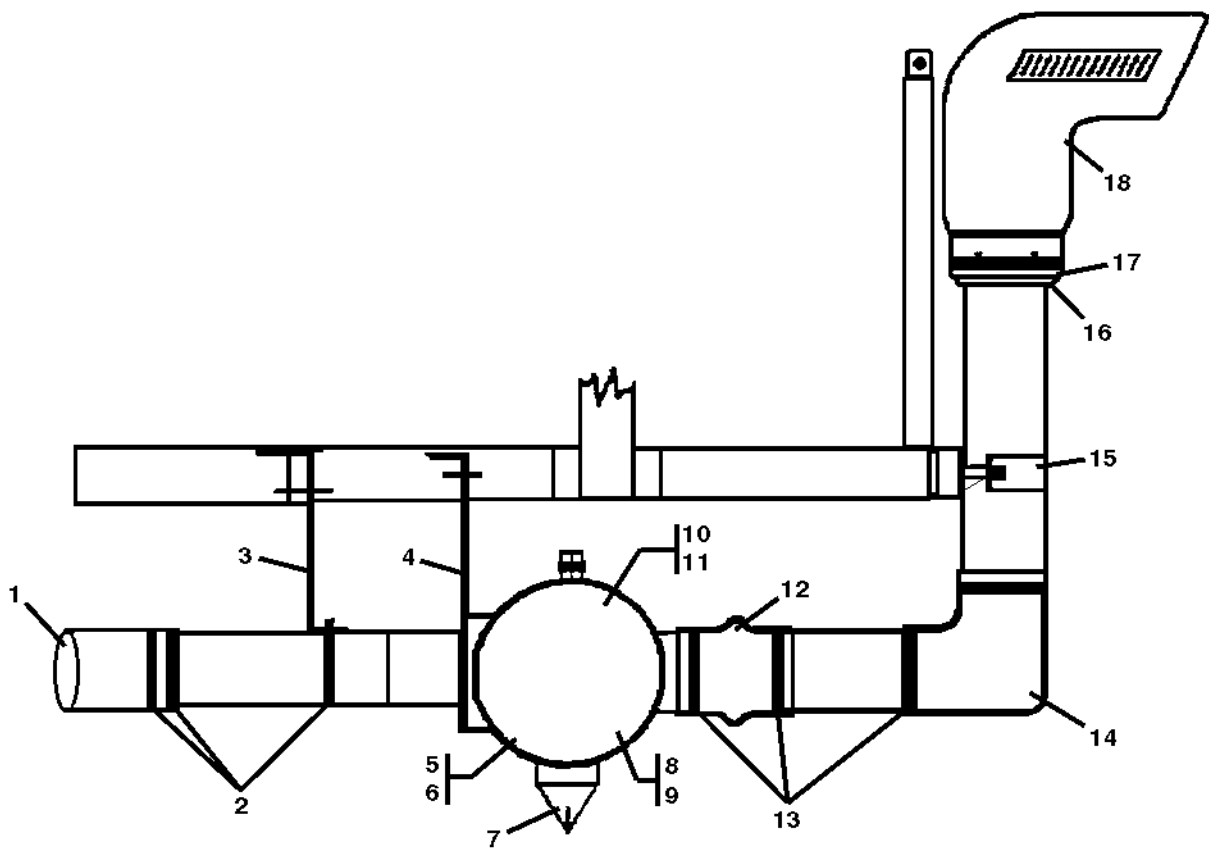
## Engine Assy (Continued)

Item	Part Number	Qty.	Description	Rev.



# ENGINE & ATTACHING PARTS

## Air Cleaner Assy



PAM0300



## Air Cleaner Assy

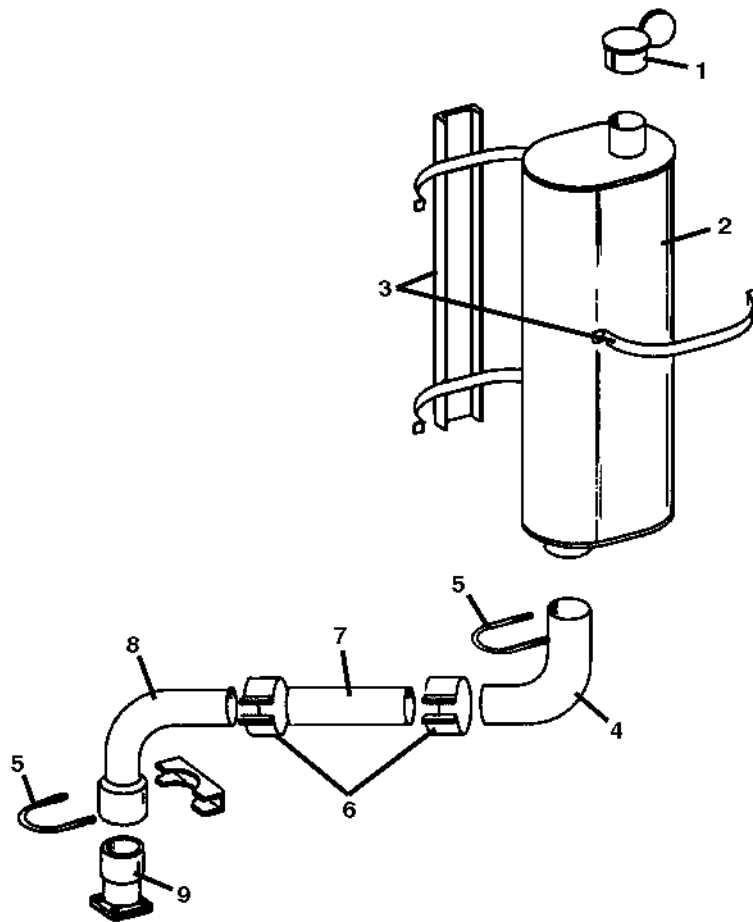
Item	Part Number	Qty.	Description	Rev.
	VA6018-0029D		AIR CLEANER ASSY, (all items)	
1	VA2225-0005A	2	ELBOW, 90 DEGREES	
2	VA2127-0002A	11	HOSE CLAMP, 4.00	
3	VA4849-0097A	1	SUPPOT PIPE	
4	VA4717-1653B	1	AIR CLEANER MOUNTING PLATE	
5	VAE-2620-15	1	CLAMP	
6	VAE-2620-12	1	CUP ASSY	
7	VA2910-0033A	1	VACUTOR VALVE	
8	VA9260-0009	1	SAFETY ELEMENT	
9	VA9260-0008	1	PRIMARY ELEMENT	
10	VA6018-0025A	1	AIR CLEANER ASSY	
11	VA2397-0003A	1	REDUCER HUMP, 5.00X4.00	
12	VA2397-0004A	1	STRAIGHT HUMP, 4.50"	
13	VA2127-0168A	6	HOSE CLAMP, 5.00 TO 5.50	
14	VA2225-0011A	1	ELBOW, 90 DEGREES	
15	VA4127-0064A	1	CLAMP	
16	VA2758-0001A	1	SLEEVE REDUCER, 5.00X4.50	
17	VA2758-0002A	1	SLEEVE REDUCER, 6.00X5.00	
18	VA2383-0007B	1	AIR INLET HOOD	



# ENGINE & ATTACHING PARTS

## Exhaust Assy

350 GAL WATER TANK



PAM0240





## Exhaust Assy

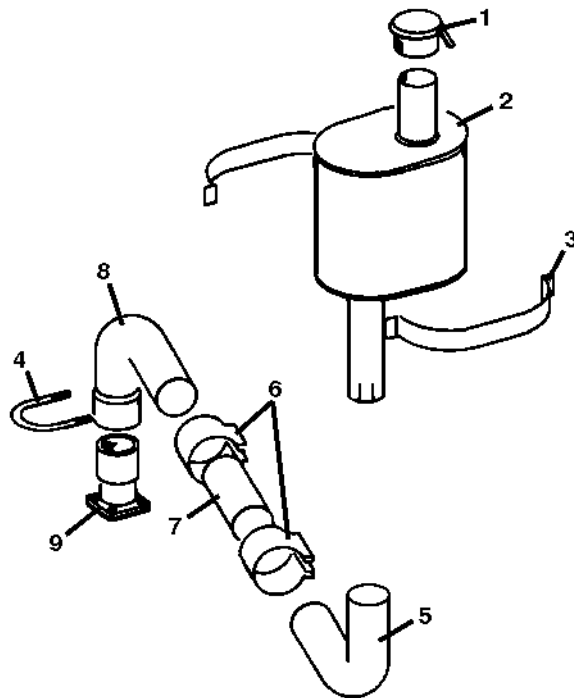
Item	Part Number	Qty.	Description	Rev.
1	VA2104-0031A	1	WEATHER CAP	
2	VA2599-0007A	1	MUFFLER	
3	VA6846-0003A	4	MUFFLER SUPPORT ASSY	
4	VA2275-0549A	1	EXHAUST ELBOW	
5	VA2127-0018A	2	MUFFLER CLAMP	
6	VA2127-0159A	2	SEAL CLAMP	
7	VA4895-0589A	1	FLEX TUBING	
8	VA2275-0003A	1	EXHAUST ELBOW	
9	VAE-6885	1	MANIFOLD CONNECTOR	



# ENGINE & ATTACHING PARTS

## Exhaust Assy

VS ONLY



PAM0250



## Exhaust Assy

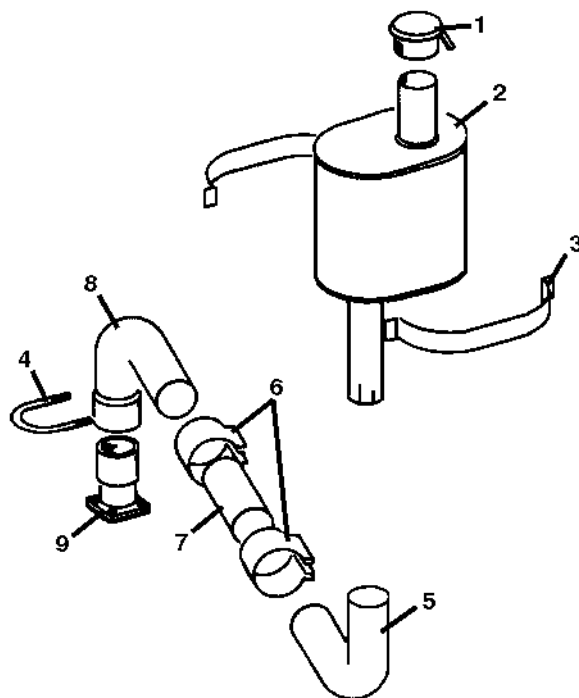
Item	Part Number	Qty.	Description	Rev.
1	VA2104-0004A	1	WEATHER CAP	
2	VA2599-0008A	1	MUFFLER	
3	VA6846-0002A	1	MUFFLER SUPPORT ASSY	
4	VA2127-0018A	1	MUFFLER CLAMP	
5	VA2275-0550A	1	EXHAUST ELBOW	
6	VA2127-0159A	2	SEAL CLAMP	
7	VA4895-0609A	1	FLEX TUBE	
8	VA2275-0551A	1	EXHAUST ELBOW	
9	VAE-6885	1	MANIFOLD CONNECTOR	



# ENGINE & ATTACHING PARTS

## Exhaust Assy

420 GAL WATER TANK





## Exhaust Assy

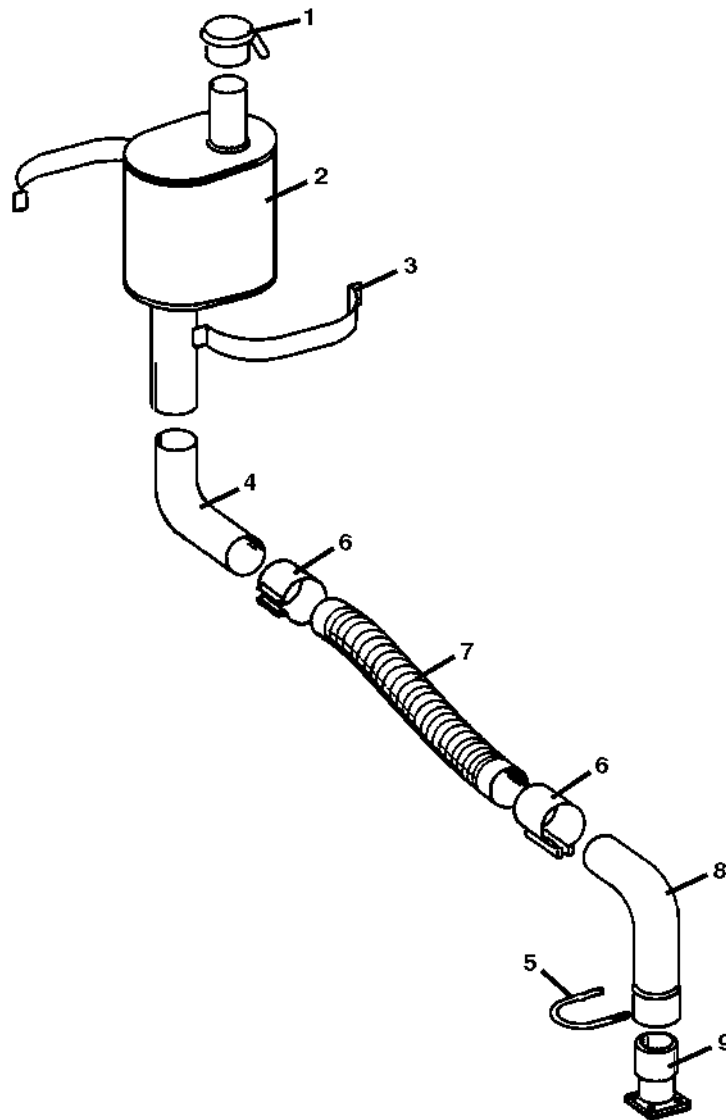
Item	Part Number	Qty.	Description	Rev.
1	VA2104-0031A	1	WEATHER CAP	
2	VA2599-0007A	1	MUFFLER	
3	VA6846-0002A	1	MUFFLER SUPPORT ASSY	
4	VA2275-0550A	1	EXHAUST ELBOW	
5	VA2127-0018A	2	MUFFLER CLAMP	
6	VA2127-0159A	2	SEAL CLAMP	
7	VA4895-0609A	1	FLEX TUBE	
8	VA2275-0551A	1	EXHAUST ELBOW	
9	VAE-6885	1	MANIFOLD CONNECTOR	



# ENGINE & ATTACHING PARTS

## Exhaust Assy

280 GAL WATER TANK



PAM0270



**Exhaust Assy**

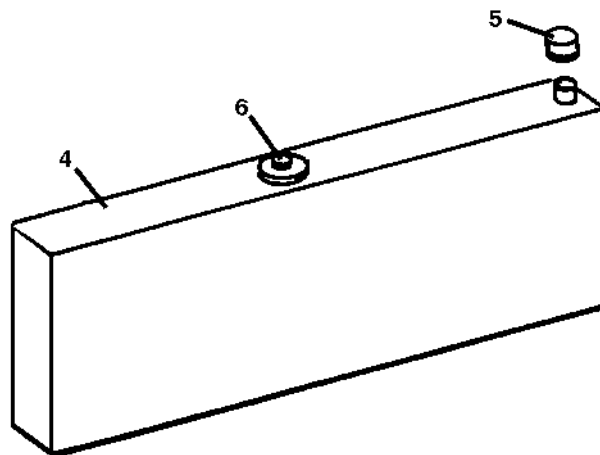
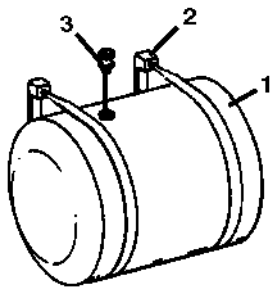
Item	Part Number	Qty.	Description	Rev.
1	VA2104-0004A	1	WEATHER CAP	
2	VA2599-0008A	1	MUFFLER	
3	VA6846-0002A	1	MUFFLER SUPPORT ASSY	
4	VA2275-0550A	1	EXHAUST ELBOW	
5	VA2127-0018A	2	MUFFLER CLAMP	
6	VA2127-0159A	2	SEAL CLAMP	
7	VA4895-0612A	1	FLEX TUBING	
8	VA2275-0003A	1	EXHAUST ELBOW	
9	VAE-6885	1	MANIFOLD CONNECTOR	



## ENGINE & ATTACHING PARTS

### Fuel Tanks

---





# ENGINE & ATTACHING PARTS



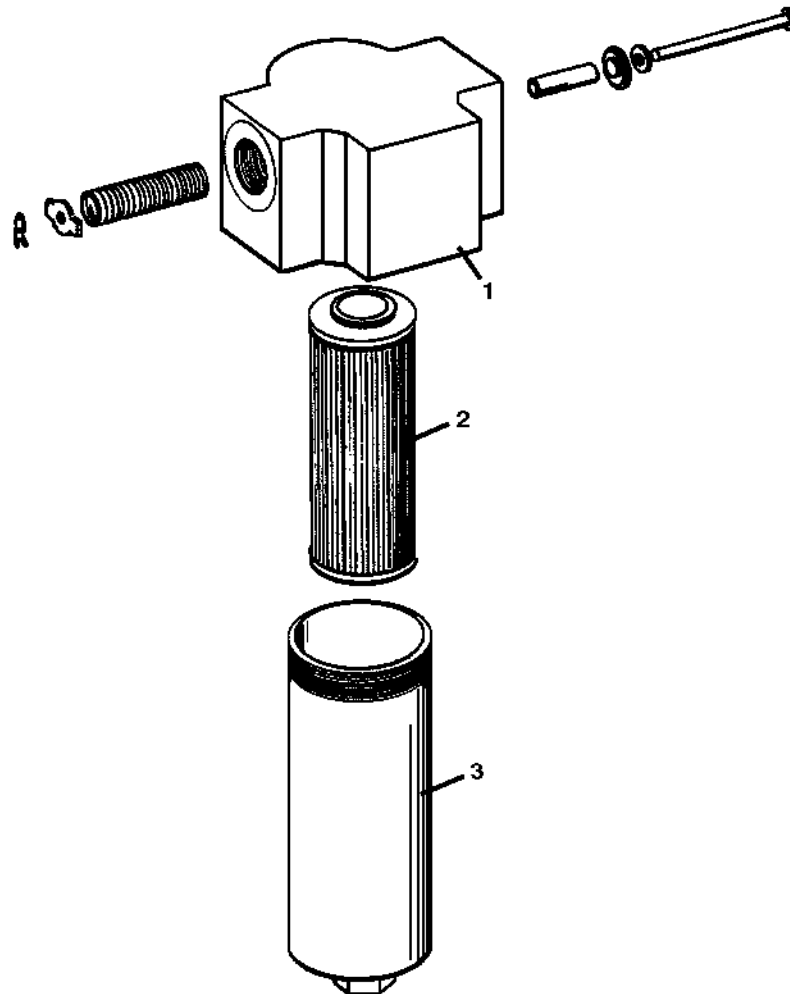
## Fuel Tanks

Item	Part Number	Qty.	Description	Rev.
1	VA3852-0003A	1	FUEL TANK, 40 GAL	
	VA3852-0004A	1	FUEL TANK, 50 GAL	
2	VA3090-0002A	2	TANK MOUNTING BRACKET	
3	VA3305-0010B	1	SIGHT GAUGE	
4	VA3852-0006D	1	FUEL TANK, 80 GAL	
5	VA2104-0043A	2	FUEL CAP	
6	VA2836-0013B	1	FUEL SENDER, 80 GAL, (for gmc, chevrolet & international vehicles)	
	VA2836-0014B	1	FUEL SENDER, 80 GAL, (for ford prior to 1987)	
	VA2836-0015B	1	FUEL SENDER, 80 GAL, (for ford after 1987)	
	VA2836-0018B	1	FUEL SENDER, 80 GAL, (for mack)	



# ENGINE & ATTACHING PARTS

## Filter



PAM0230



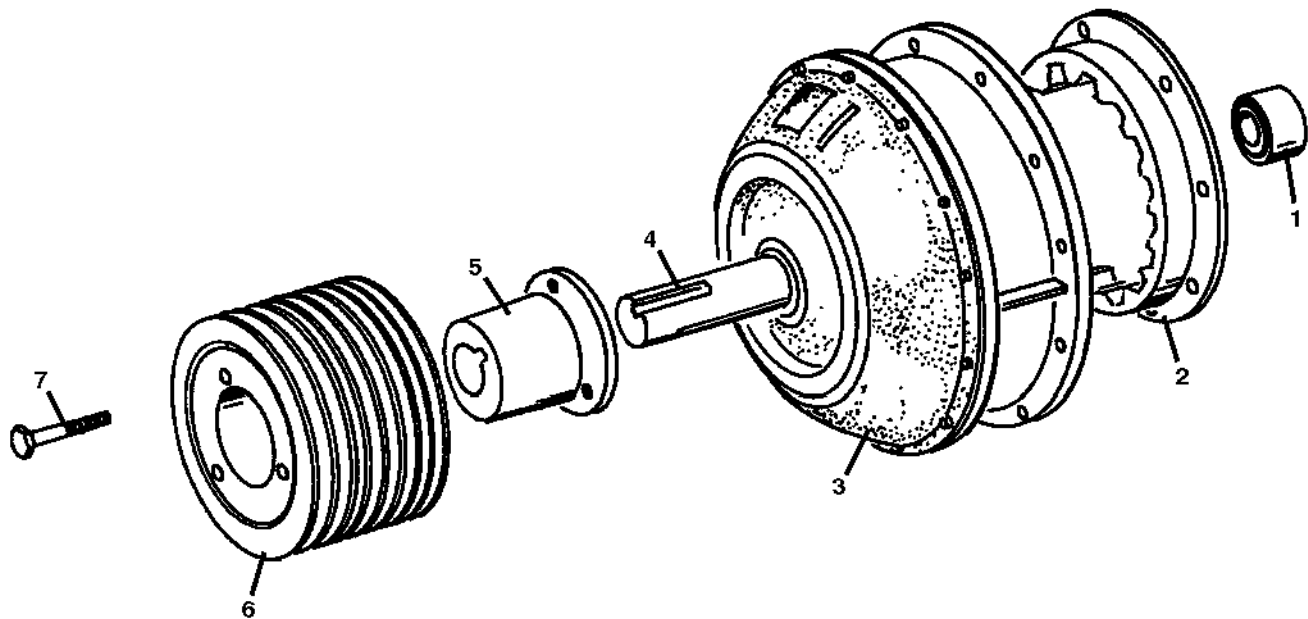
**Filter**

Item	Part Number	Qty.	Description	Rev.
1	VA6272-0004A	1	FILTER ASSY, (items 1-3)	
		1	BODY	
2	VA2260-0010A	1	ELEMENT	
3		1	BOWL	



# ENGINE & ATTACHING PARTS

## Trans-Fluid Coupling



PAM0150



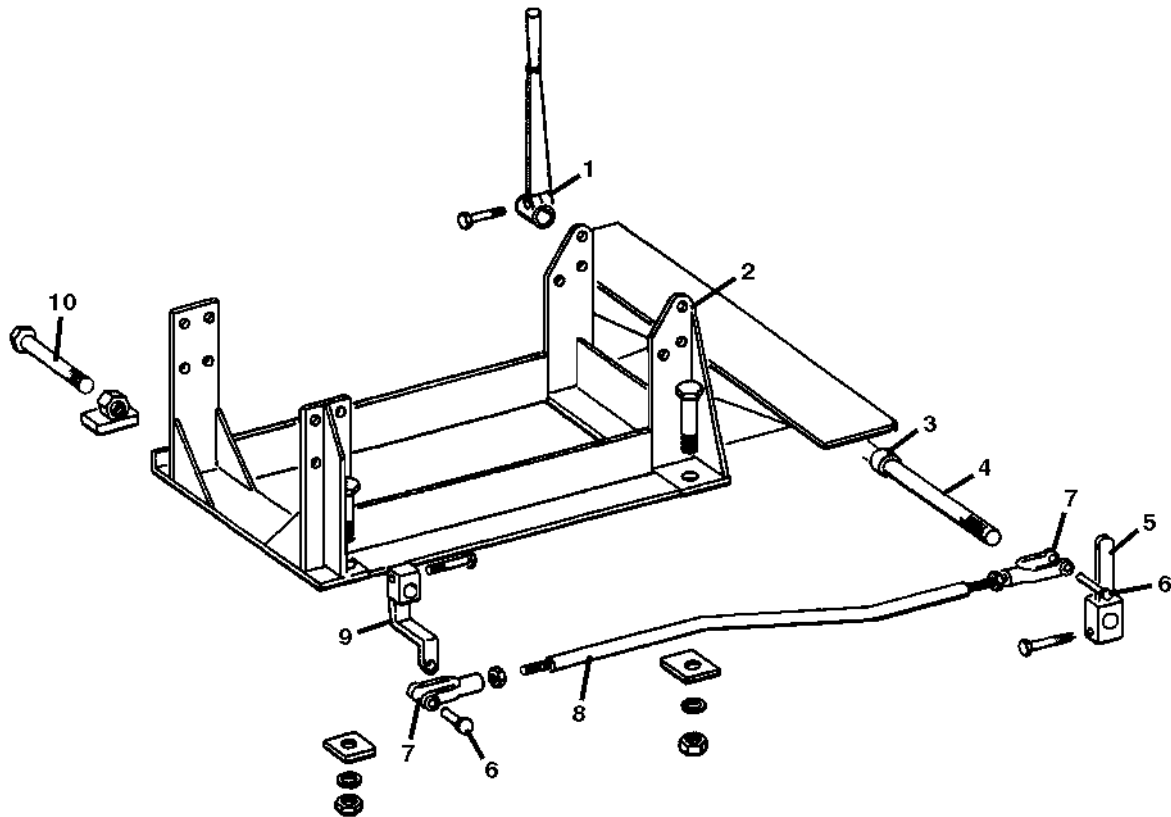
## Trans-Fluid Coupling

Item	Part Number	Qty.	Description	Rev.
	VA3141-0021D		TRANS-FLUID COUPLING, (all items)	
1	VA9063-0035	1	SEALED PILOT BEARING	
2		1	DRIVE RING	
3	VA3141-0021D	1	TRANS-FLUID COUPLING, (items 2-4)	
4		1	SHAFT	
5	VA2096-0021A	1	BUSHING	
6	VA2840-0029B	1	ENGINE SHEAVE	
7	VA2806-0018A	3	CAPSCREW, 9/16X2-3/4	



# ENGINE & ATTACHING PARTS

## Clutch Linkage



PAM0160

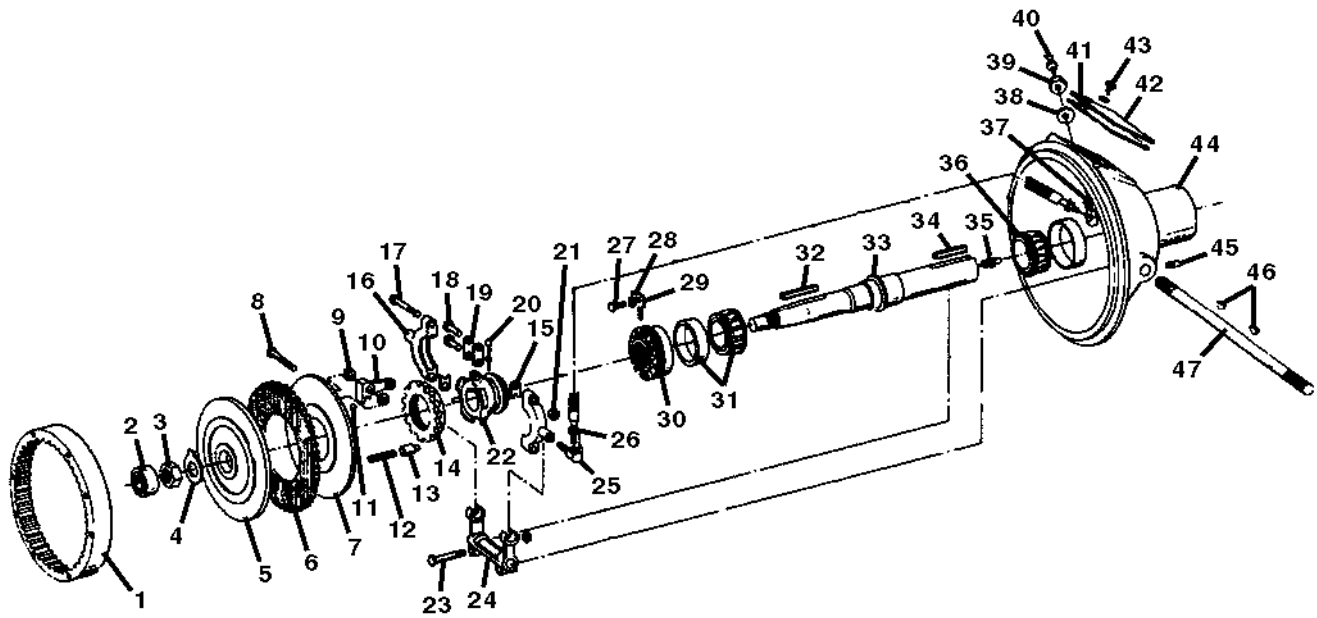


## Clutch Linkage

Item	Part Number	Qty.	Description	Rev.
1	VA2353-0021A	1	CLUTCH CONTROL HANDLE	
2	VA3290-0001C	1	ENGINE & RADIATOR SUPPORT	
	VA3290-0002C	1	ENGINE & RADIATOR SUPPORT w/STREAMLINING	
3	VA2132-0016A	2	STEEL SET COLLARS	
4	VA4820-0086A	1	CROSS-SHAFT	
5	VA8514-0027A	1	STRAIGHT CROSS SHAFT LEVER	
	VAF0480	2	CAPSCREW, 3/8X2	
	VAF7250	2	LOCKWASHER, 3/8"	
	VAF2975	2	HEX NUT, 3/8"	
6	VA2722-0415A	2	CLEVIS PIN	
	VAE-4843	2	COTTER PIN	
7	VA2998-0028A	2	ADJUSTABLE YOKE	
8	VA8785-0024A	1	CONTROL LINKAGE ROD	
9	VA8514-0028A	1	OFF-SET CROSS SHAFT LEVER	
10	VAF1976	4	CAPSCREW, 3/4X4-1/2	
	VAF7500	4	LOCKWASHER, 3/4"	
	VAF3650	4	HEX NUT, 3/4"	



Clutch







## Clutch

Item	Part Number	Qty.	Description	Rev.
	VA3735-0020A		CLUTCH, (all items)	
	VA9127-0010A	1	DRIVE ASSY, (items 5-22)	
	VA9827-0013A	1	SLEEVE & LEVER ASSY, (items 10, 18-20 & 22)	
	VA9827-0014A	1	SLIDING SLEEVE ASSY, (items 15-22)	
	VA9132-0004A	1	COLLAR ASSY, (items 15-17 & 21)	
	VA9386-0002A	1	HOSE ASSY, (items 25, 26 & 37), (used on ford 370 & 391, cummins 6b5.9 & 4bt3.9, john deere 6414df)	
1	VA9772-0015	1	DRIVING RING	
2	VA9063-0035	1	PILOT BEARING	
3	VA9647-0034	1	HUB NUT	
4	VA9954-0001	1	LOCKWASHER	
5	VA9727-0015	1	HUB & BACK PLATE	
6	VA9727-0016	1	DRIVING PLATE	
7	VA9727-0017	1	FLOATING PLATE	
8	VA9722-0011	3	LEVER PIN	
9	VA9952-0043	6	SPRING WASHER	
10	VA9514-0003	3	LEVER	
11	VA9723-0005	3	COTTER PIN	
12	VA9842-0012	1	ADJ. LOCK SPRING	
13	VA9722-0012	1	ADJ. LOCK PIN	
14	VA9772-0016	1	ADJUSTING RING	
15	VA9822-0009	2	SHIM	
16	VA9132-0005	2	COLLAR	
17	VA9812-0036	2	SCREW	
18	VA9722-0010	6	LEVER LINK PIN	
19	VA9525-0006	6	LINK LEVER	
20	VA9723-0004	6	COTTER PIN	
21	VA9647-0032	2	HEX NUT	
22	VA9827-0005	1	SLIDING SLEEVE	
23	VA9812-0040	2	SCREW	
24	VA9990-0006	1	THROW OUT YOKE	
25	VA9274-0002	1	FITTING	
26	VA9386-0003	1	GREASE HOSE	
27	VA9812-0037	1	SCREW	
28	VA9946-0003	1	LOCKWASHER	
29	VA9536-0002	1	BEARING RETAINER LOCK	
30	VA9762-0001	1	RETAINER	
31	VA9063-0034	1	ROLLER BEARING	
32	VA9498-0014	1	KEY	
33	VA9820-0019	1	SHAFT	
34	VA9498-0015	1	KEY	
35	VA2273-0002A	1	GREASE FITTING	
36	VA9063-0034	1	ROLLER BEARING	
37	VA9274-0001	1	FITTING	
38	VA9954-0004	1	LOCKWASHER	
39	VA9647-0033	1	JAM NUT	
40	VA16170	1	GREASE FITTING	
41		1	GASKET	
42	VA9727-0014	1	INSPECTION COVER PLATE	



# ENGINE & ATTACHING PARTS

Before S/N 3613

## Clutch (Continued)

Item	Part Number	Qty.	Description	Rev.
43	VA9812-0038	2	SCREW	
44	VA9391-0016	1	HOUSING	
45	VA9273-0001	2	GREASE FITTING	
46	VA9498-0012	2	KEY	
47	VA9820-0020	1	OPERATING SHAFT	

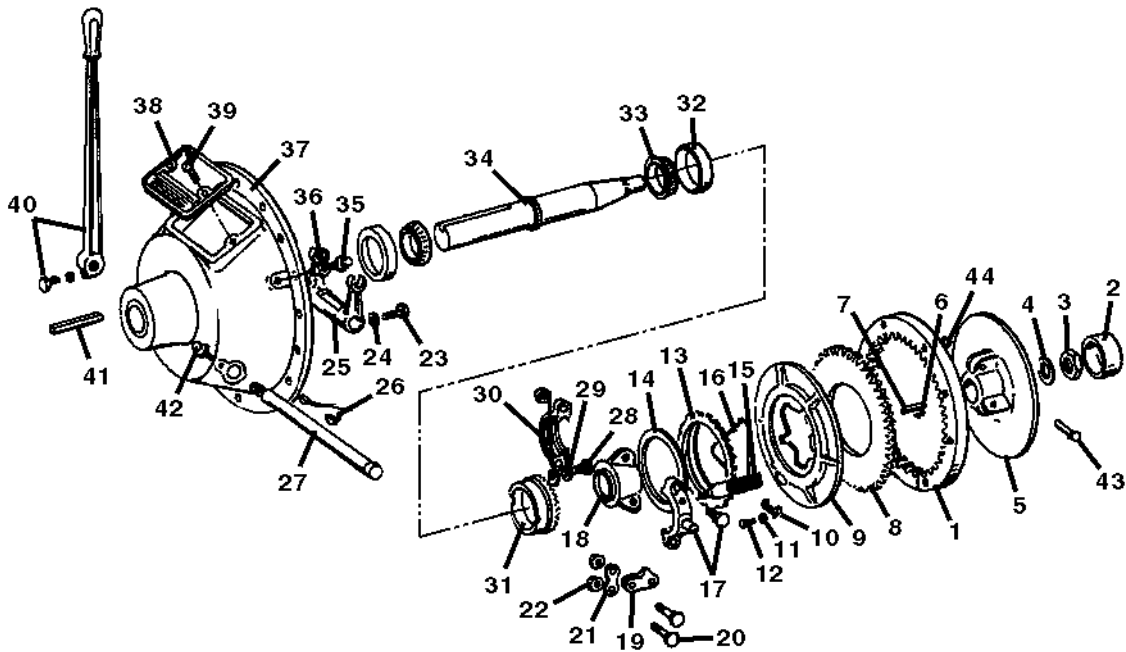


**Clutch (Continued)**

Item	Part Number	Qty.	Description	Rev.



Clutch





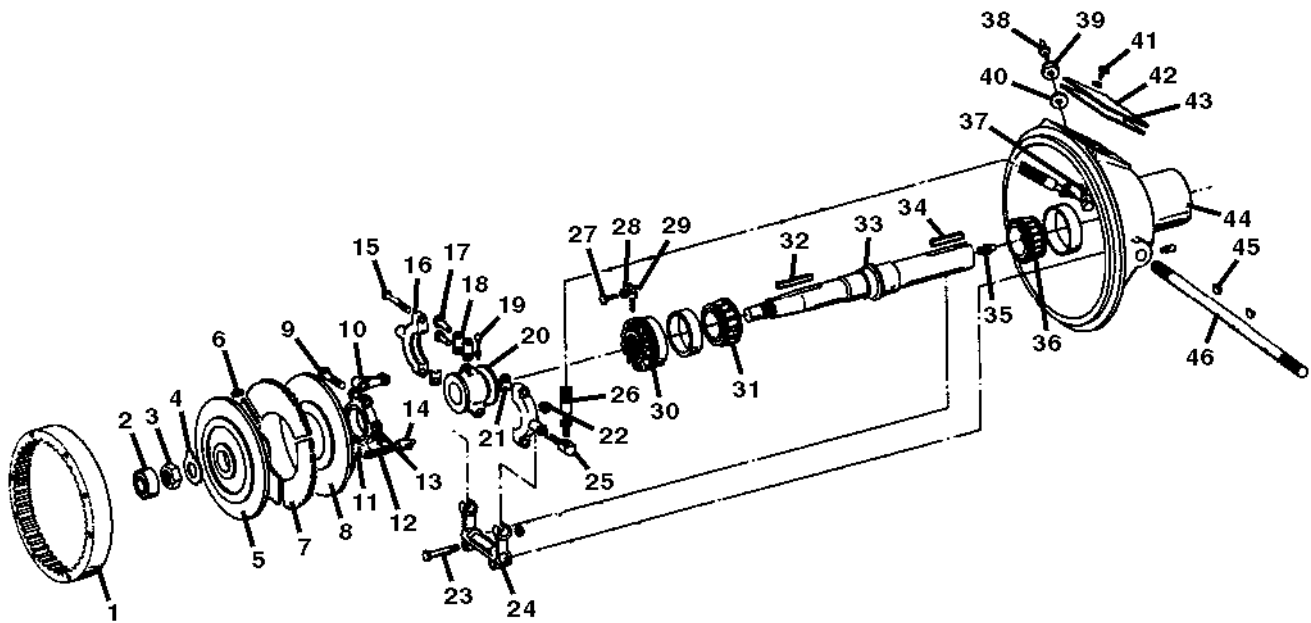
## Clutch

Item	Part Number	Qty.	Description	Rev.
	VA3735-0022D		CLUTCH, (all items)	
	VA9727-0044	1	PRESSURE CLUTCH SUBASSY, (items 9-14)	
	VA9127-0011	1	DRIVE ASSY, (items 5-16, 8-12, 17-22 & 43-44)	
	VA9827-0016	1	SLEEVE/LINK SUBASSY, (items 17-18, 21, 20 qty. 3, 22 aty. 3) (used on ford 370 & 391, cummins 6b5-9 & 4bt3.9, john deere 6414df)	
1	VA9772-0049	1	DRIVING RING	
2	VA9063-0082	1	PILOT BEARING	
3	VA9467-0060	1	HUB NUT	
4	VA9954-0008	1	LOCKWASHER	
5	VA9085-0035	1	CLUTCH BODY	
6	VA9842-0031	1	COMPRESSION SPRING	
7	VA9498-0027	1	KEY	
8	VA9179-0005	1	DRIVE DISC	
9	VA9727-0045	1	PRESSURE PLATE	
10	VA9534-0004	1	ADJUSTING LOCK	
11	VA9952-0075	1	SERRATED WASHER	
12	VA9084-0002	1	MACHINE BOLT	
13	VA9772-0048	1	ADJUSTING RING	
14	VA9772-0047	1	WEAR RING	
15	VA9895-0037	1	FLEXIBLE TUBE	
16	VA9842-0030	1	EXTENSION SPRING	
17	VA9063-0081	1	RELEASE BEARING SUBASSY	
18	VA9827-0017	1	RELEASE SLEEVE	
19	VA9514-0007	3	RELEASE LEVER	
20	VA9722-0034	6	CLEVIS PIN	
21	VA9525-0010	6	CONNECTING LINK	
22	VA9772-0050	6	RING RETAINER	
23	VA9084-0003	2	MACHINE BOLT	
24	VA9954-0006	2	LOCK WASHER	
25	VA9990-0011	1	CLUTCH YOKE	
26	VA9498-0028	2	WOODRUFF KEY	
27	VA9820-0053	1	YOKE SHAFT	
28	VA9084-0004	1	MACHINE BOLT	
29	VA9954-0007	1	LOCKWASHER	
30	VA9534-0005	1	ADJUSTING LOCK	
31	VA9768-0030	1	BEARING RETAINER	
32	VA9125-0001	2	BEARING CUP	
33	VA9136-0001	2	BEARING CONE	
34	VA9820-0054	1	DRIVE SHAFT	
35	VA9273-0002	3	GREASE FITTING	
36	VA9647-0059	1	JAM NUT	
37	VA9391-0039	1	BELL HOUSING	
38	VA9727-0046	1	INSTRUCTION PLATE	
39	VA9812-0068	2	MACHINE SCREW	
40	VA9514-0006	1	SHIFTING LEVER	
41	VA9498-0029	1	KEY	
42	VA9273-0003	2	GREASE FITTING	
43	VA9722-0035	3	CLEVIS PIN	
44	VA9772-0051	3	RETAINER RING	



# ENGINE & ATTACHING PARTS

## Clutch



PAM0190

# ENGINE & ATTACHING PARTS



## Clutch

Item	Part Number	Qty.	Description	Rev.
	VAE-620-42		CLUTCH, (all items)	
	VA9127-0002A	1	CLUTCH DRIVE ASSY, (items 5-22)	
	VA9990-0005A	1	YOKE & SLEEVE ASSY, (items 9-22)	
	VA9827-0001A	1	SLIDING SLEEVE ASSY, (items 15-22)	
	VA9132-0002A	1	COLLAR ASSY, (items 15,16, 21 & 22)	
	VA9386-0002A	1	HOSE ASSY, (items 25, 26 & 37), (used on gm 3-53t, gm 4-53, gm 4-53t)	
1	VA9772-0014	1	DRIVING RING	
2	VA9063-0033	1	PILOT BEARING	
3	VA9647-0031	1	HUB NUT	
4	VA9954-0001	1	LOCKWASHER	
5	VA9727-0008	1	HUB & BACK PLATE	
6	VA9842-0010	6	SPRING RELEASE	
7	VA9727-0009	1	DRIVING PLATE	
8	VA9727-0010	1	FLOATING PLATE	
9	VA9722-0009	4	FINGER LEVER PIN	
10	VA9525-0004	4	FINGER LEVER	
11	VA9723-0005	4	COTTER PIN	
12	VA9842-0011	1	SPRING	
13	VA9990-0003	1	ADJUSTING YOKE	
14	VA9722-0008	1	LOCK ADJUSTING PIN	
15	VA9812-0036	2	SCREW	
16	VA9132-0003	2	COLLAR	
17	VA9722-0010	8	LEVER LINK PIN	
18	VA9525-0005	8	LEVER LINK	
19	VA9723-0004	8	COTTER PIN	
20	VA9827-0002	1	SLIDING SLEEVE	
21	VA9822-0008	2	SHIM	
22	VA9647-0032	2	NUT	
23	VA9812-0040	2	SCREW	
24	VA9990-0004	1	THROW OUT YOKE	
25	VA9274-0001	1	FITTING	
26	VA9386-0003	1	HOSE	
27	VA9812-0037	1	SCREW	
28	VA9954-0003	1	LOCK WASHER	
29	VA9536-0001	1	BEARING RETAINER LOCK	
30	VA9762-0001	1	BEARING RETAINER	
31	VA9063-0034	1	ROLLER BEARING	
32	VA9498-0010	1	KEY	
33	VA9820-0017	1	SHAFT	
34	VA9498-0011	1	KEY	
35	VA16171	1	FITTING	
36	VA9063-0034	1	ROLLER BEARING	
37	VA9274-0002	1	FITTING	
38	VA16170	1	FITTING	
39	VA9647-0033	1	JAM NUT	
40	VA9954-0004	1	LOCKWASHER	
41	VA9812-0038	2	SCREW	
42	VA9727-0011	1	INSPECTION PLATE	
43		1	GASKET	



## ENGINE & ATTACHING PARTS

### Clutch (Continued)

Item	Part Number	Qty.	Description	Rev.
44	VA9391-0015	1	HOUSING	
45	VA9498-0012	2	KEY	
46	VA9820-0018	1	OPERATING SHAFT	





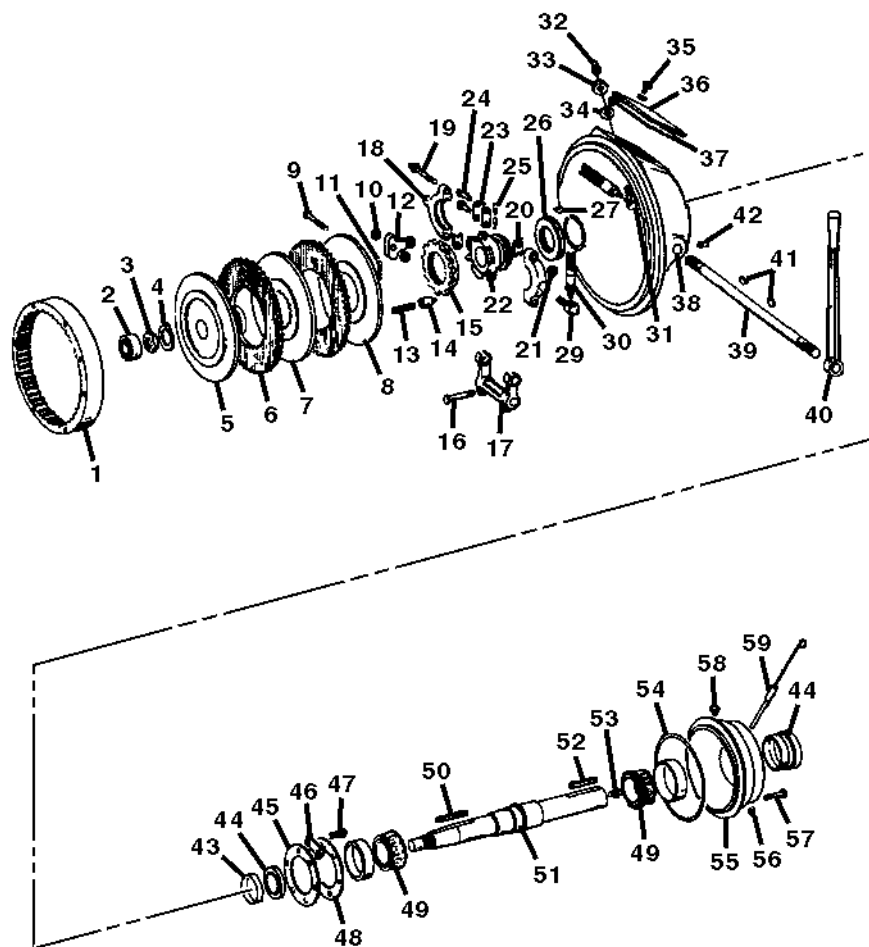
**Clutch (Continued)**

Item	Part Number	Qty.	Description	Rev.



# ENGINE & ATTACHING PARTS

## Clutch



# ENGINE & ATTACHING PARTS



## Clutch

Item	Part Number	Qty.	Description	Rev.
	VAE-6717		CLUTCH, (all items)	
	VA9127-0008A	1	DRIVE ASSY, (items 5-15 & 18-28)	
	VA9827-0009A	1	SLEEVE ASSY, (items 18-28)	
	VA9132-0006A	1	COLLAR ASSY, (items 18-21)	
	VA9386-0007A	1	HOSE ASSY, (items 29-31)	
1	VA9772-0015	1	DRIVING RING	
2	VA9063-0035	1	PILOT BEARING	
3	VA9647-0052	1	NUT	
4	VA9954-0005	1	LOCKWASHER	
5	VA9727-0034	1	HUB & BACK PLATE	
6	VA9727-0016	2	DRIVING PLATE	
7	VA9727-0036	1	CENTER PLATE	
8	VA9727-0017	1	FLOATING PLATE	
9	VA9722-0011	3	LEVER PIN	
10	VA9952-0043	6	SPRING WASHER	
11	VA9723-0005	3	PIN	
12	VA9514-0003	3	LEVER	
13	VA9842-0012	1	LOCK PIN SPRING	
14	VA9722-0012	1	LOCK PIN	
15	VA9772-0016	1	ADJUSTING RING	
16		2	CAPSCREW, 3/8X1-1/2	
17	VA9990-0010	1	YOKE	
18	VA9132-0007	1	COLLAR	
19	VA9812-0056	2	SCREW	
20	VA9822-0026	2	SHIM	
21	VA9647-0032	2	NUT	
22	VA9827-0010	1	SLIDING SLEEVE	
23	VA9525-0006	6	LEVER LINK	
24	VA9722-0010	6	LEVER LINK PIN	
25	VA9723-0004	6	COTTER PIN	
26	VA9772-0034	1	COLLAR RING	
27	VA9498-0021	1	KEY	
28	VA9772-0033	1	SNAP RING	
29	VA9274-0001	1	FITTING	
30	VA9386-0008	1	HOSE	
31	VA9274-0002	1	FITTING	
32	VA9273-0001	2	FITTING	
33	VA9647-0033	1	NUT	
34	VA9954-0004	1	LOCKWASHER	
35	VA9812-0038	2	SCREW	
36	VA9727-0037	1	COVER PLATE	
37		1	GASKET	
38	VA9391-0029	1	HOUSING	
39	VA9820-0020	1	SHAFT	
40	VA9514-0002	1	LEVER	
41	VA9498-0012	2	KEY	
42	VA16170	1	FITTING	
43	VA9827-0011	2	WEAR SLEEVE	
44	VA9803-0019	2	OIL SEAL	



## ENGINE & ATTACHING PARTS

### Clutch (Continued)

Item	Part Number	Qty.	Description	Rev.
45	VA9762-0004	1	BEARING RETAINER	
46	VA9727-0038	3	LOCK PLATE	
47	VA9812-0057	6	SCREW	
48	VA9822-0027	1	SHIM	
49	VA9063-0078	2	BEARING	
50	VA9498-0022	1	KEY	
51	VA9820-0044	1	SHAFT	
52	VA9498-0015	1	KEY	
53	VA16171	1	FITTING	
54	VA9083-0020	1	SEAL	
55	VA9111-0001A	1	CARRIER ASSY	
56	VA9738-0009	2	PLUG	
57	VA9812-0039	9	SCREW	
58	VA9092-0008	1	BREATHER	
59	VA9305-0009	1	OIL LEVEL GAUGE	



**Clutch (Continued)**

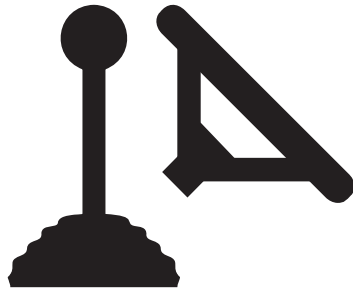
Item	Part Number	Qty.	Description	Rev.



## ENGINE & ATTACHING PARTS

**This Page Intentionally Left Blank**

# SECTION 5 -CONTROLS

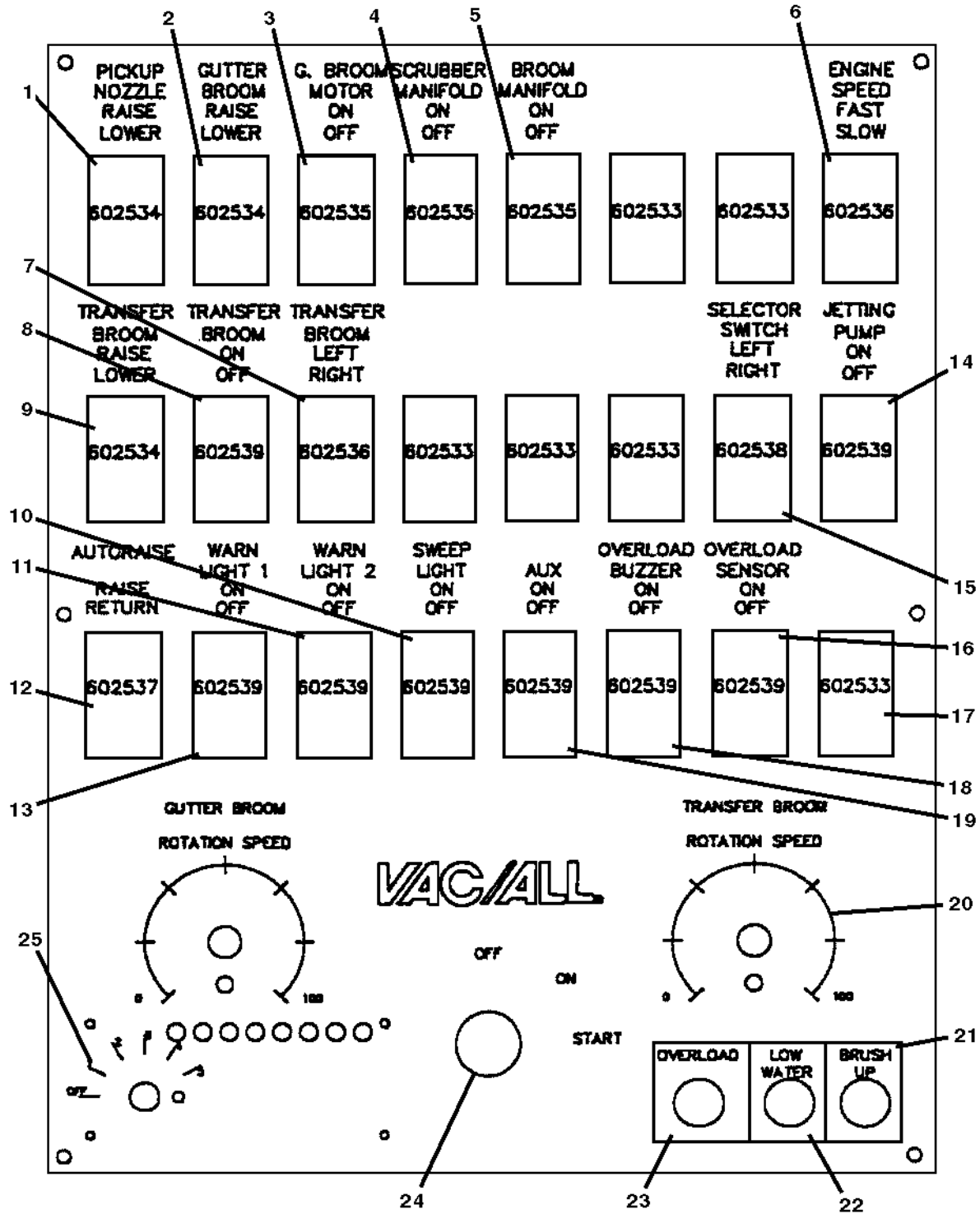




# CONTROLS

S/N 3919 & After

## Sweeper Cab Controls



PAM1010





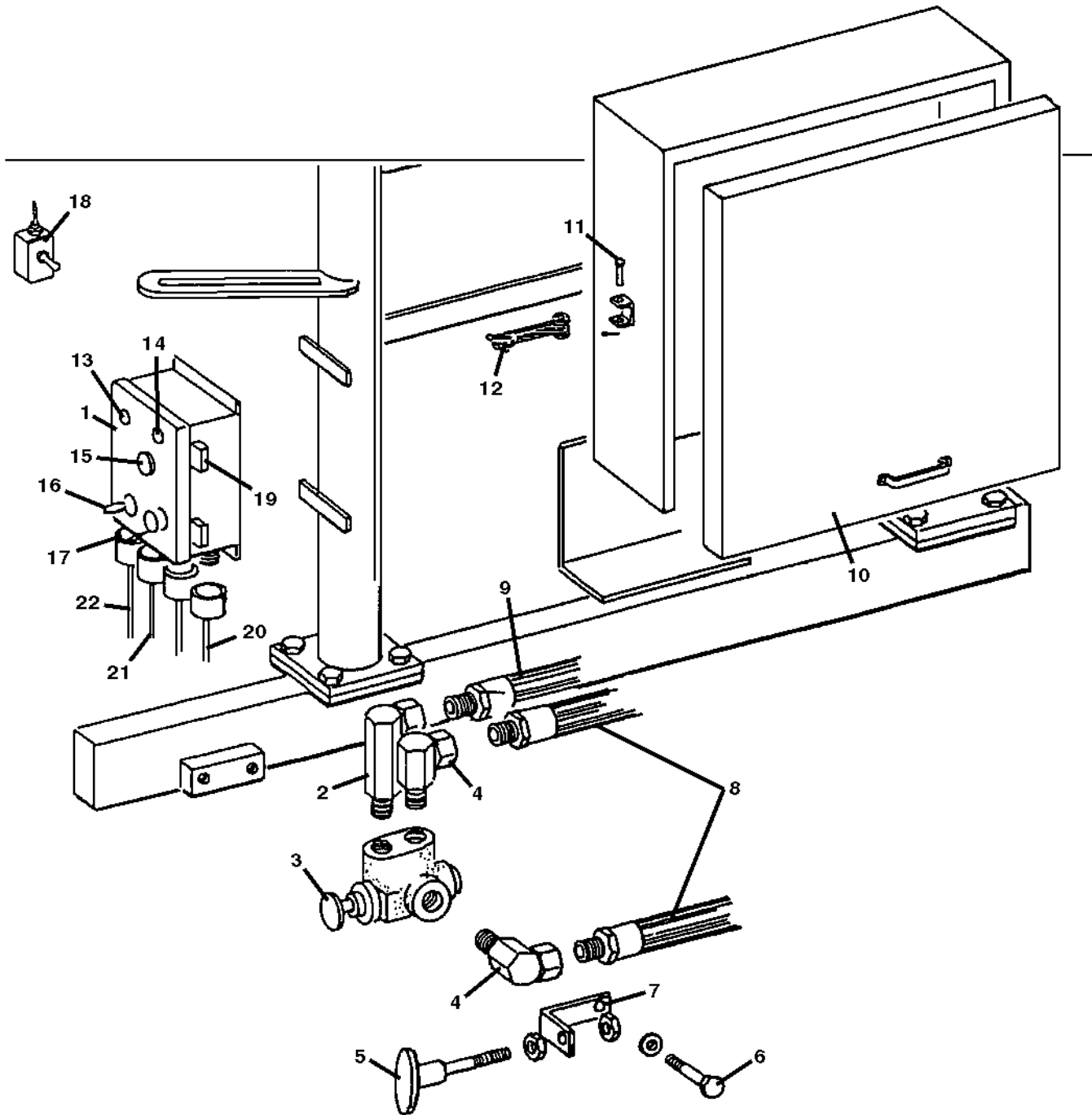
## Sweeper Cab Controls

Item	Part Number	Qty.	Description	Rev.
1	VA602534	1	ROCKER SWITCH, NOZZLE RAISE/LOWER	
2	VA602534	1	ROCKER SWITCH, GUTTER BROOM RAISE/LOWER	
3	VA602535	1	ROCKER SWITCH, GUTTER BROOM ON/OFF	
4	VA602535	1	ROCKER SWITCH, SCRUBBER MANIFOLD ON/OFF	
5	VA602535	1	ROCKER SWITCH, BROOM MANIFOLD ON/OFF	
6	VA602536	1	ROCKER SWITCH, ENGINE SPEED	
7	VA602536	1	ROCKER SWITCH, TRANSFER BROOM TRAVERSE	
8	VA602539	1	ROCKER SWITCH, TRANSFER BROOM ON/OFF	
9	VA602534	1	ROCKER SWITCH, TRANSFER BROOM RAISE/LOWER	
10	VA602539	1	ROCKER SWITCH, SWEEP LIGHTS ON/OFF	
11	VA602539	1	ROCKER SWITCH, WARNING LIGHT ON/OFF	
12	VA602537	1	ROCKER SWITCH, AUTO RAISE UP/DOWN	
13	VA602539	1	ROCKER SWITCH, WARNING LIGHT ON/OFF	
14	VA602539	1	ROCKER SWITCH, JETTING PUMP ON/OFF	
15	VA602538	1	ROCKER SWITCH, SELECTOR LEFT/RIGHT	
16	VA602539	1	ROCKER SWITCH, OVERLOAD SENSOR ON/OFF	
17	VA602533	1	ROCKER SWITCH, EXTRA	
18	VA602539	1	ROCKER SWITCH, OVERLOAD BUZZER ON/OFF	
19	VA602539	1	ROCKER SWITCH, AUX. ON/OFF	
20	VA2771-0003A	2	RHEOSTAT	
21	VA602521	1	LED LIGHT, BRUSH UP	
22	VA602562	1	LED LIGHT, LOW WATER	
23	VA602522	1	LED LIGHT, OVERLOAD	
24	VA2848-0118A	1	IGNITION SWITCH	
25	VA602044	1	CIRCUIT BOARD	



# CONTROLS

## Remote Sweeper Controls



PAM0850



**Remote Sweeper Controls**

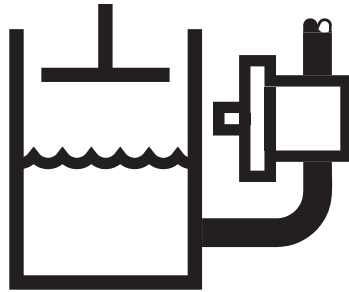
Item	Part Number	Qty.	Description	Rev.
1	VA3139-0007A	1	ACTUATOR CONTROL BOX ASSY, w/o IDLE DOWN	
	VA3139-0009A	1	ACTUATOR CONTROL BOX ASSY, w/IDLE DOWN	
2	VA5400-1212	1	SWIVEL ADAPTER UNION, 90 DEGREES	
3	VA2910-0105A	1	SELECTOR VALVE	
4	VA5401-1212	2	SWIVEL ADAPTER UNION, 90 DEGREES	
5	VA2102-0081A	1	CONTROL CABLE	
6	VAF480	1	CAPSCREW, 3/8X2	
	VAF7825	1	LOCKWASHER	
7	VA4090-0326A	1	BRACKET	
8	VA3386-3133A	2	HOSE ASSY	
9	VA3386-3131A	1	HOSE ASSY	
10	VA6139-0031C	1	COVER	
11	VA2722-0009A	2	PIN	
	VAF6670	2	COTTER PIN, 1-1/16X3/4	
12	VA2385-0003A	2	HOLD DOWN	
13	VA2848-0088A	1	TOGGLE SWITCH, IDLE DEFEAT	
14	VA2522-0029A	1	PILOT LIGHT, WATER INDICATOR	
15	VAE7015	1	KEY SWITCH	
16	VA2848-0100A	1	TOGGLE SWITCH, IDLE	
17	VA2091-0013A	1	CIRCUIT BREAKER, 5 AMP	
	VA2087-0005A	1	BOOT SEAL	
18	VA2102-0031A	1	REAR THROTTLE CABLE & SWITCH BOX, ELECTRIC	
19	VA2764-0032A	1	RELAY, 12 VDC	
20	VA2102-0035A	1	CABLE ASSY	
21	VA2102-0026A	1	ACTUATOR CABLE ASSY	
22	VA2102-0031A	1	REAR ENGINE THROTTLE CABLE	

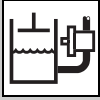


## CONTROLS

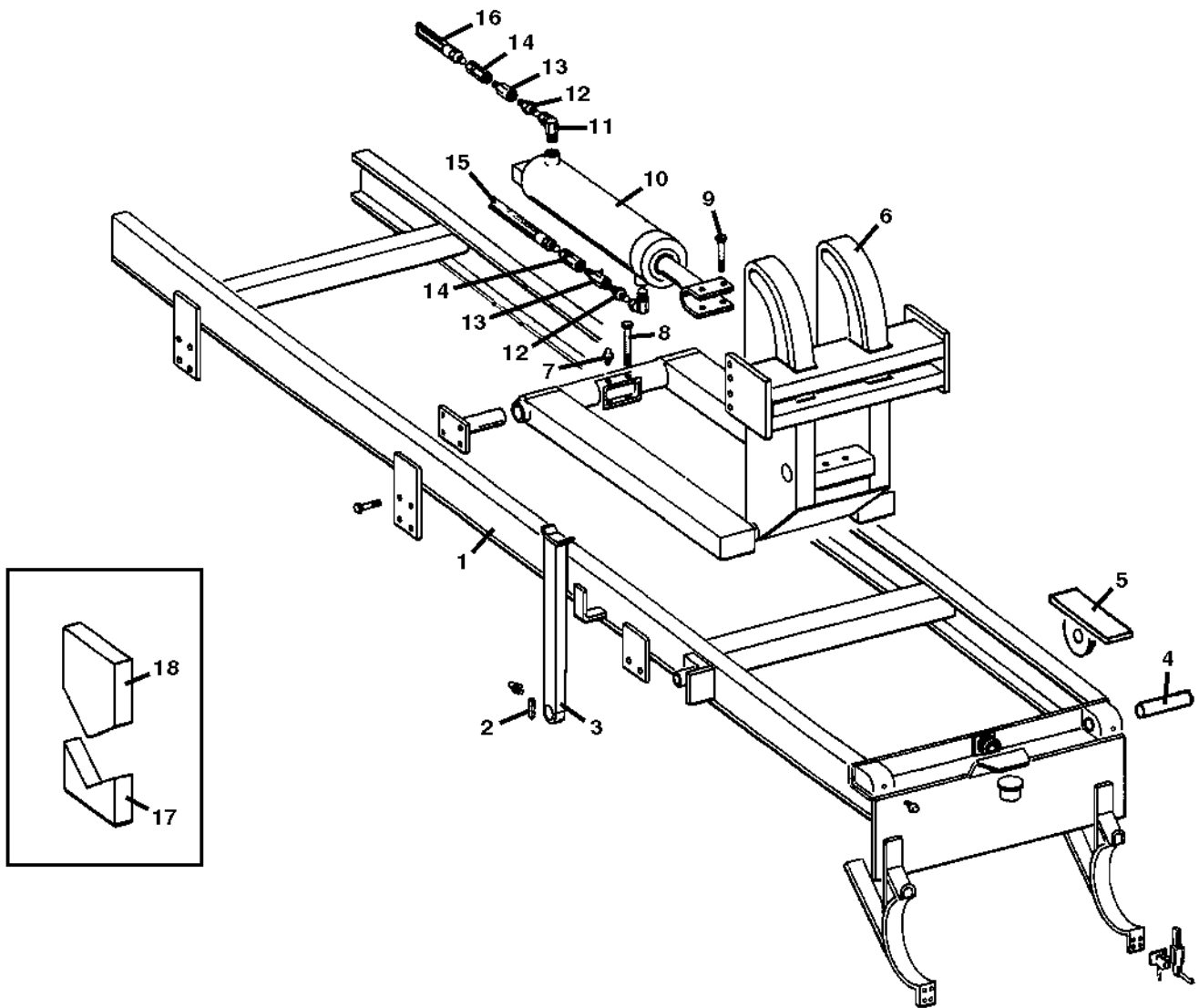
**This Page Intentionally Left Blank**

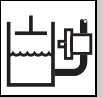
# SECTION 6 -HYDRAULIC CIRCUITS





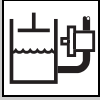
Body Hoist Assy - Single



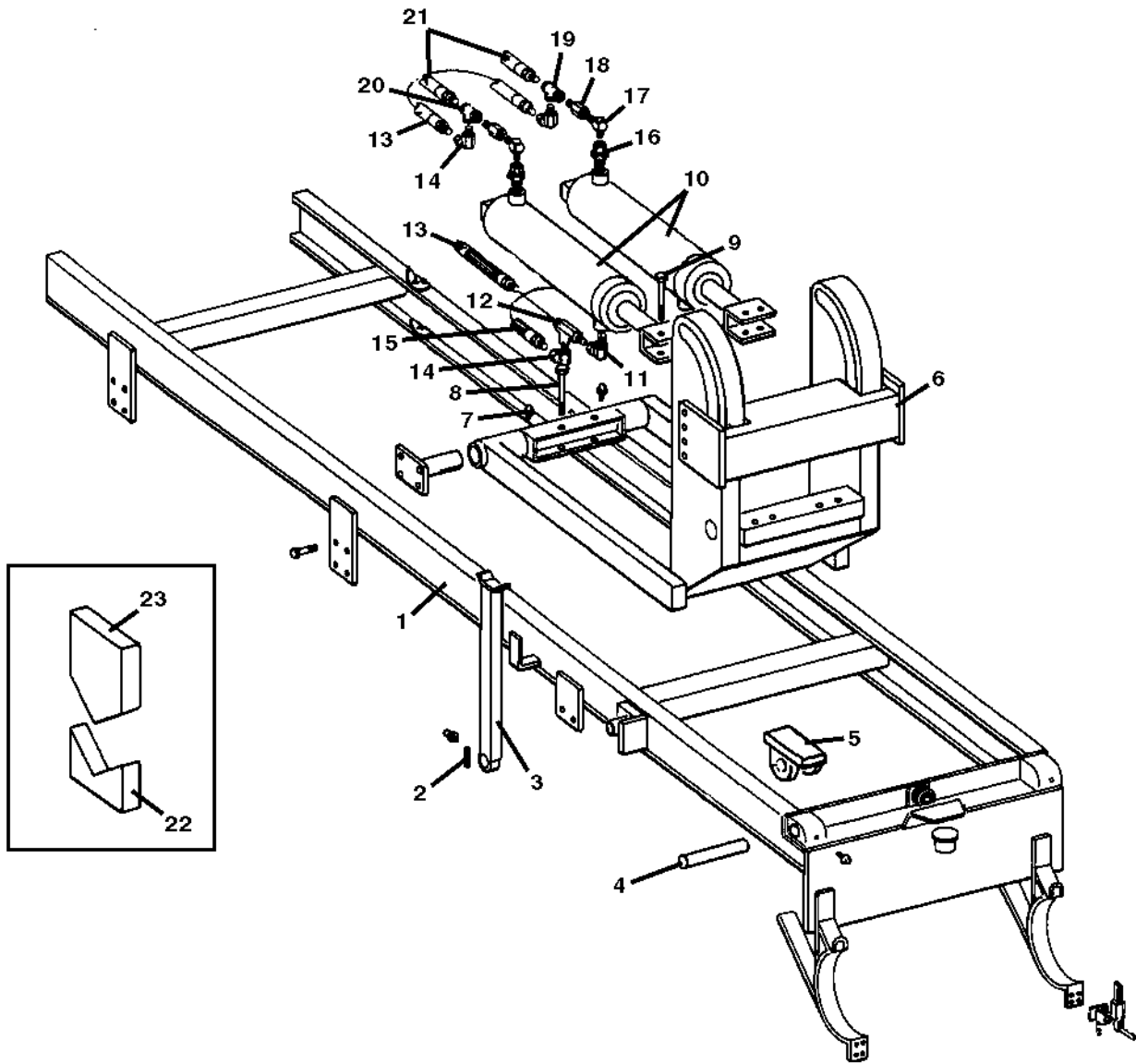


## Body Hoist Assy - Single

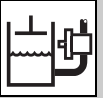
Item	Part Number	Qty.	Description	Rev.
1	VA9290-0009	1	SUB FRAME	
2	VA9722-0030	2	RETAINING PIN	
3	VA9040-0007	2	BODY PROP	
4	VA9722-0031	2	HINGE PIN	
5	VA9372-0002	2	HINGE	
6	VA9290-0010	1	HOIST FRAME	
7	VA2273-0001	3	GREASE ZERK	
8	VAF1916	1	CAPSCREW, 3/4X4-1/2	
	VAF3676	1	LOCKNUT, 3/4"	
9	VAF1200	2	CAPSCREW, 1/2X3-3/4	
	VAF7350	2	LOCKWASHER, 1/2"	
	VAF3225	2	LOCKNUT, 1/2"	
10	VA9148-0005A	1	CYLINDER	
11	VA100430	1	SWIVEL ADAPTER UNION, 90 DEGREES	
12	VA5409-0808	2	NIPPLE	
13	VA2910-0008A	2	THROTTLE VALVE	
14	VA5401-0808	2	UNION	
15	VA3386-2180A	1	HOSE, W/O SWEEPER VALVING	
	VA3386-2184A	1	HOSE, W/SWEEPER VALVING	
	VA3386-2185A	1	HOSE, W/SWEEPER VALVING, W/CAT ENGINE	
16	VA3386-2179A	1	HOSE, W/O SWEEPER VALVING	
	VA3386-2186A	1	HOSE, W/SWEEPER VALVING	
	VA3386-2187A	1	HOSE, W/SWEEPER VALVING, W/CAT ENGINE	
17	VA4082-0028A	2	GUIDE BLOCK	
18	VA4832-0007A	2	UPPER GUIDE BLOCK	



Body Hoist Assy - Dual

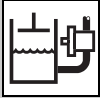






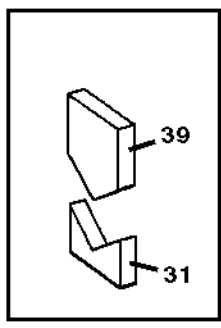
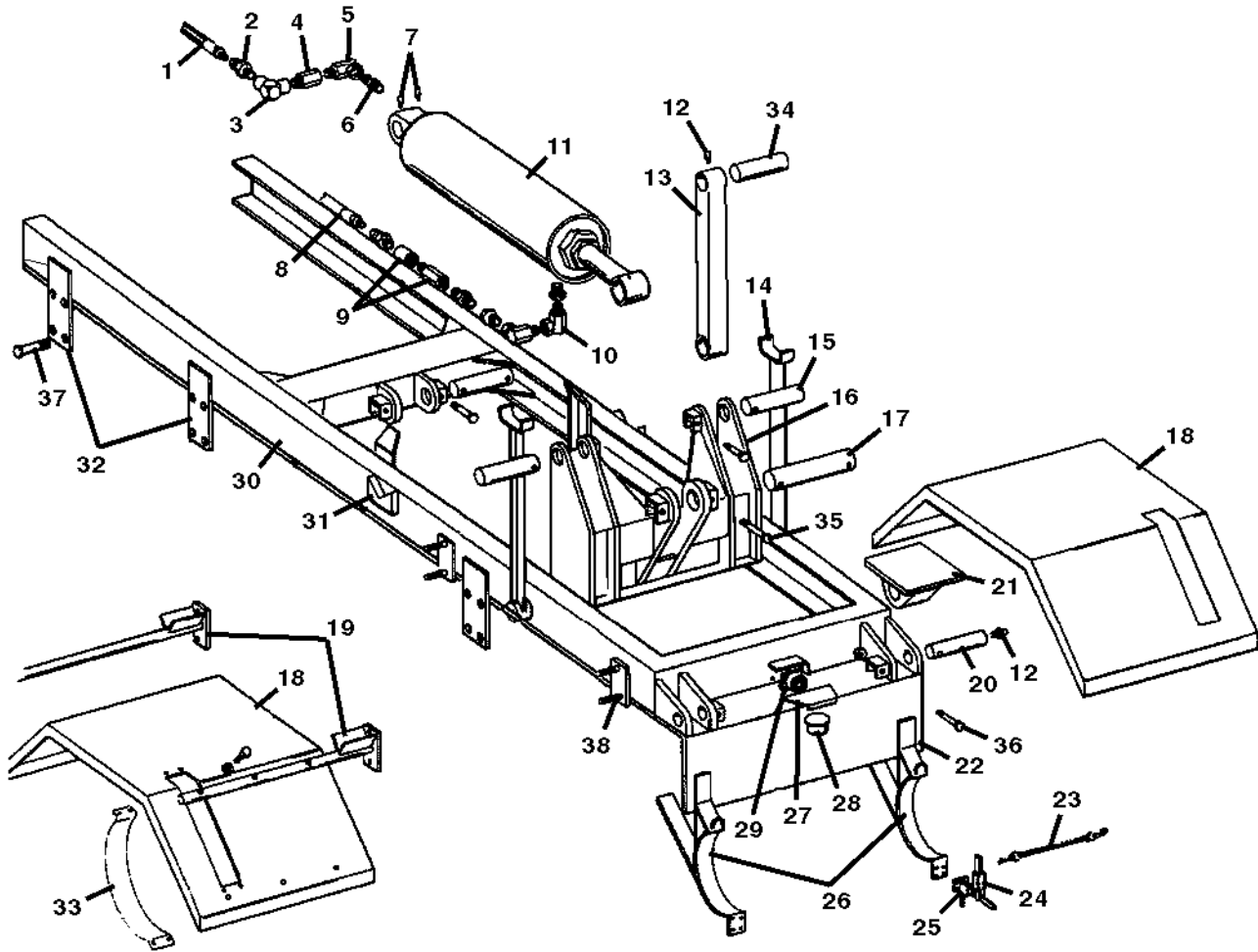
## Body Hoist Assy - Dual

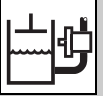
Item	Part Number	Qty.	Description	Rev.
1	VA9290-0011D	1	SUB FRAME	
2	VA9040-0030	2	RETAINING PIN	
3	VA9040-0007	2	BODY PROP	
4	VA9722-0032	2	HINGE PIN	
5	VA9372-0003	2	HINGE	
6	VA9290-0012	1	HOIST FRAME	
7	VA2273-0001	3	GREASE ZERK	
8	VAF1916	2	CAPSCREW, 3/4X4-1/2	
	VAF3676	2	LOCKNUT, 3/4"	
9	VAF1200	4	CAPSCREW, 1/2X4-1/2	
	VAF7350	4	LOCKWASHER, 1/2"	
	VAF3225	4	NUT, 1/2"	
10	VA9148-0006A	2	CYLINDER	
11	VA100430	2	UNION SWIVEL ADAPTER, 90 DEGREES	
12	VA102568	2	TEE	
13	VA3386-2182A	2	HOSE	
14	VA5401-0808	2	SWIVEL UNION, 90 DEGREES	
15	VA3386-2183A	1	HOSE, WO/SWEEPER VALVING	
	VA3386-2190A	1	HOSE, W/SWEEPER VALVING	
	VA3386-2189A	1	HOSE, W/SWEEPER VALVE, W/CAT ENGINE	
16	VA5403-1008	2	UNION	
17	VA5432-0808	2	ELBOW	
18	VA2910-0008A	2	THROTTLE VALVE	
19	VA5404-0808	1	TEE	
20	VA1362	1	UNION	
21	VA3386-2181A	1	HOSE, WO/SWEEPER VALVING	
	VA3386-2188A	1	HOSE, W/SWEEPER VALVING	
	VA3386-2184A	1	HOSE, W/SWEEPER VALVE, W/CAT ENGINE	
22	VA4082-0028A	2	GUIDE BLOCK	
23	VA4832-0007A	2	UPPER GUIDE BLOCK	



# HYDRAULIC CIRCUITS

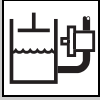
## Body Hoist Assy - Single Cylinder



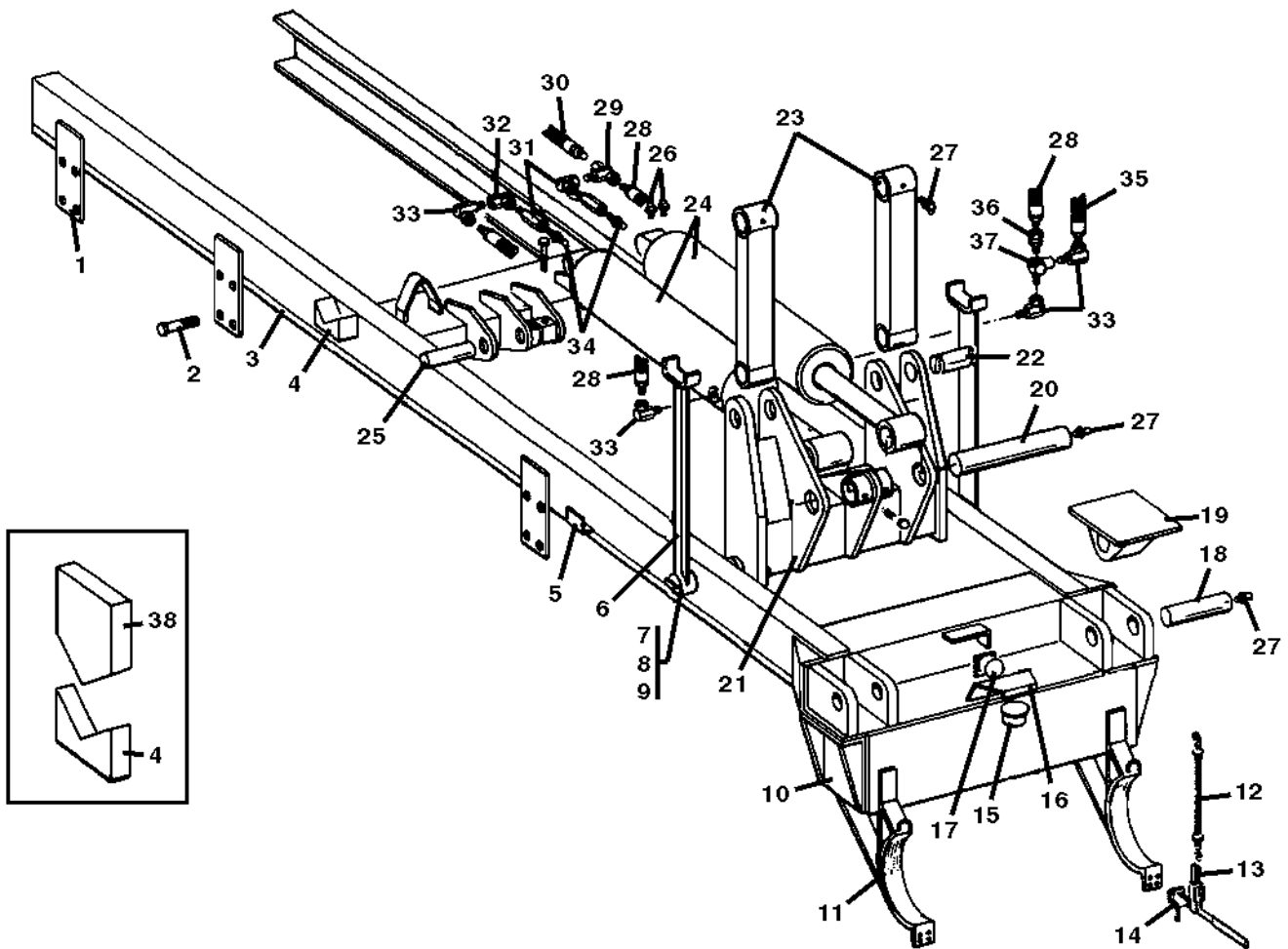


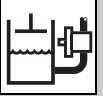
## Body Hoist Assy - Single Cylinder

Item	Part Number	Qty.	Description	Rev.
1	VA3386-3127A	1	HOSE ASSY	
2	VA1363	2	FEMALE SWIVEL UNION ADAPTER	
3	VA5410-1212	1	FEMALE SWIVEL UNION ADAPTER	
4	VA2910-0092A	1	BODY HOIST THROTTLE VALVE LINE	
5	VA5401-1212	2	SWIVEL ADAPTER UNION	
6	VA5409-1212	3	PIPE NIPPLE	
7	VA17834	3	GREASE FITTING	
8	VA3386-3128A	1	HOSE ASSY	
9	VA2910-0093A	1	BODY HOIST LINE THROTTLE VALVE	
10	VA5401-1612	1	SWIVEL UNION ADAPTER	
11	VA9148-0004B	1	HOIST CYLINDER	
12	VA16170	6	GREASE FITTING	
13	VA6525-0036C	2	LINK ASSY	
14	VA6740-0007B	2	BODY PROP BAR	
15	VA4723-0120A	3	HOIST BASE PIN	
16	VAE-1169-9B	1	LIFT ARM ASSY	
17	VAE-1169-7	1	HOIST BASE PIN	
18	VAE-1979-1	1	R.H. FENDER	
	VAE-1979-2	1	L.H. FENDER	
19	VA6262-0001	2	FENDER SUPPORT BRACKETS	
20	VA9722-0022A	2	HINGE PIN	
21	VA8372-0020A	2	HINGE	
22	VA4727-0866A	1	REAR FRAME PLATE	
23	VA2846-0003A	2	STRAP	
24	VA2127-0022A	2	CLAMP	
	VA2340-0004A	2	CLAMP GRIP	
25	VAF0024	8	MACHINE SCREW, 1/4X3/4	
26	VA8092-0310C	2	TUBE RACK BRACKET	
	VA6896-0027C	1	TUBE CARRIER ASSY, (items 23-26)	
27	VA103085	1	LICENSE LIGHT	
28	VA8092-0396B	1	LICENSE BRACKET	
29	VA38176	1	ALARM	
30	VAE-1169-10A	1	HOIST FRAME ASSY	
31	VA4082-0028A	2	GUIDE BLOCK	
32	VA4090-0314A	6	BRACKET	
33	VAE-2517-12	2	SPLASH GUARD	
34	VA4723-0118A	2	PIN LINK ARM TO BODY	
35	VAF1227	1	CAPSCREW, 1/2X4-1/2	
36	VAF1126	5	CAPSCREW, 1/2X3-1/2	
37	VAF1400	26	CAPSCREW, 5/8X2	
	VAF8050	26	LOCKWASHER, 5/8"	
	VAF3450	26	NUT, 5/8"	
38	VAE-2517-3	4	BRACKET	
39	VA4832-0007A	2	UPPER GUIDE BLOCK	



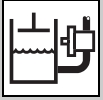
Body Hoist Assy - Double Cylinder





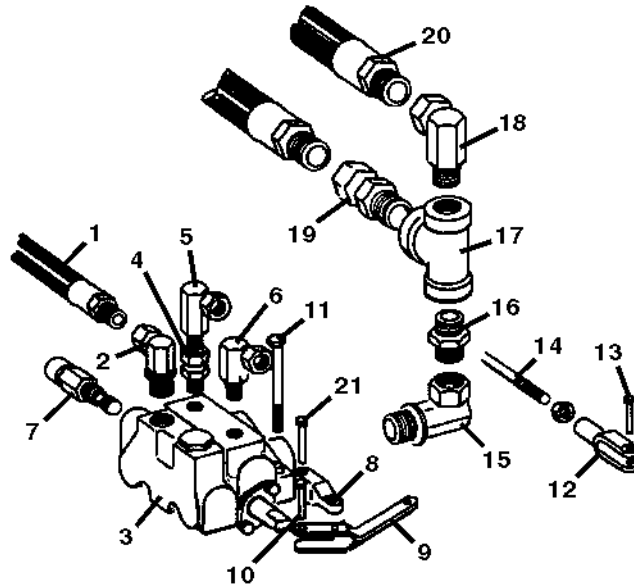
## Body Hoist Assy - Double Cylinder

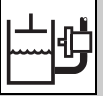
Item	Part Number	Qty.	Description	Rev.
1	VA4090-0314A	6	BRACKET	
2	VAF1350	32	CAPSCREW, 5/8X1-1/2	
	VAF8050	32	LOCKWASHER, 5/8"	
3	VA4054-0474A	2	SPACER BAR	
4	VA4082-0028A	2	GUIDE BLOCK	
5	VA4032-0271A	2	ANGLE	
6	VA4740-0001	2	PROP	
7	VA4762-0079A	2	RETAINING BAR	
8	VA4054-0375	1	LOCKING BAR	
9	VA6821-0001A	1	LEVER ARM SHAFT	
10	VA4727-0866A	1	REAR FRAME PLATE	
	VA6896-0027C	2	CARRIER ASSY, (items 11-14)	
11	VA8092-0310C	2	TUBE RACK BRACKET	
12	VA2846-0003A	2	STRAP	
13	VA2127-0022A	2	CLAMP	
14	VAF0024	8	MACHINE SCREW, 1/4X3/4	
	VAF7100	8	LOCKWASHER, 1/4"	
	VAF2725	8	NUT, 1/4"	
15	VA103085	1	LIGHT	
16	VA8092-0396B	1	LICENSE & BACK-UP ALARM BRACKET	
17	VA38176	1	BACK-UP ALARM	
18	VA9722-0022A	2	PIN HINGE	
19	VA8372-0020A	2	HINGE	
20	VA4820-0067A	1	SHIFT ASSY	
21	VA8040-0065D	1	ARM ASSY	
22	VA9722-0021	2	LINK PIN ASSY	
23	VA6525-0036C	2	LINK ASSY	
24	VA9148-0004B	2	CYLINDER ASSY	
25	VA9722-0020	2	HOIST BASE PIN	
26	VA17834	2	GREASE FITTING, 90 DEGREES	
27	VA16170	10	GREASE FITTING	
28	VA3386-3127A	2	HOSE ASSY	
29	VA5443-1212	1	TEE FITTING	
30	VA5309-1219	1	HOSE ASSY	
31	VA2910-0092A	2	THROTTLE VALVE LINE	
32	VA5410-1212	2	FEMALE SWIVEL UNION	
33	VA5401-1212	2	SWIVEL UNION	
34	VA5409-1212	2	PIPE NIPPLE	
35	VA5308-1215	1	HOSE ASSY	
36	VA1369	1	STRAIGHT SWIVEL	
37	VA5414-1212	1	TEE	
38	VA4832-0007A	2	UPPER BLOCK GUIDE	



## Body Hoist Valve Assy

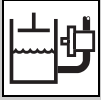
---



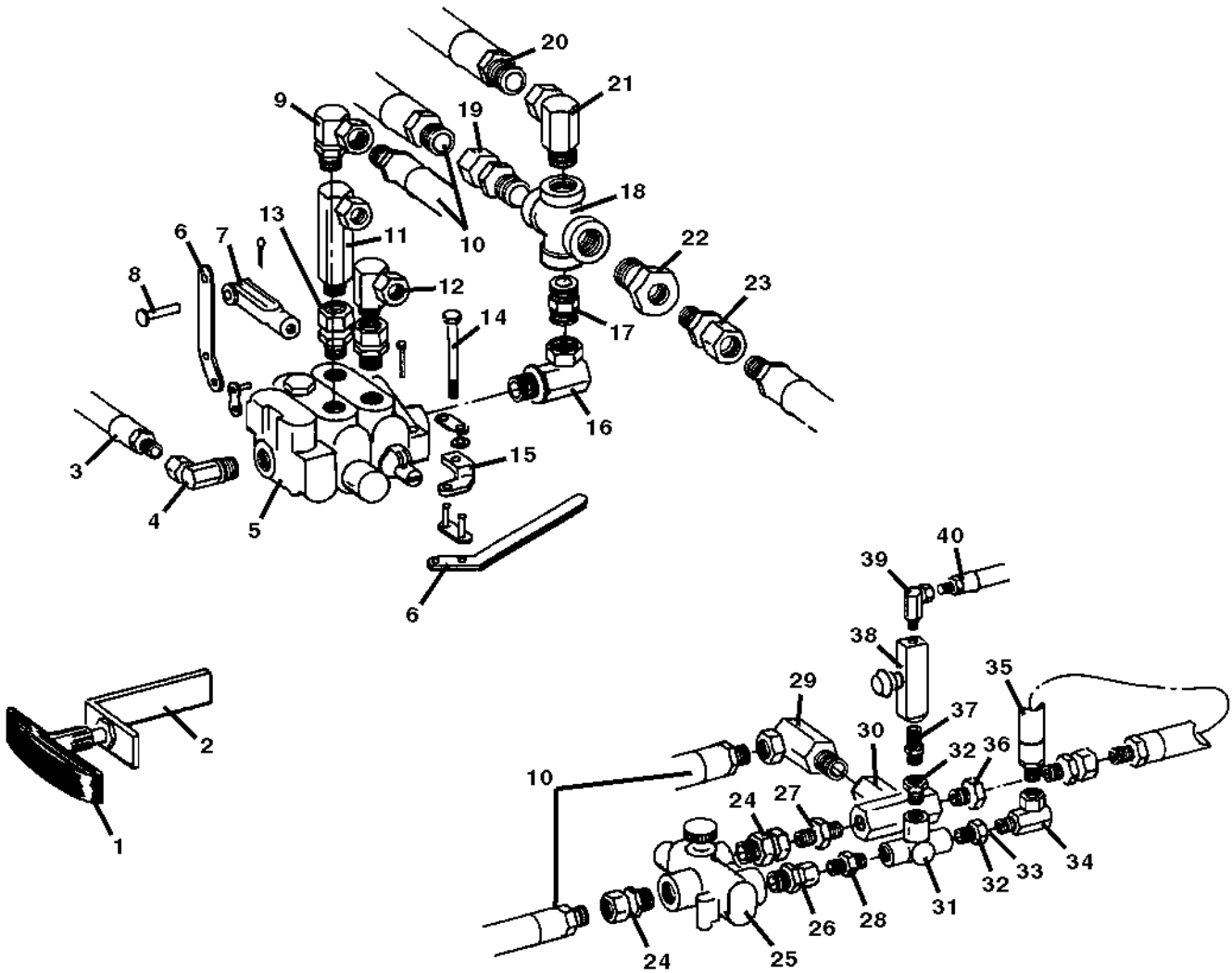


## Body Hoist Valve Assy

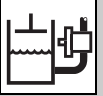
Item	Part Number	Qty.	Description	Rev.
1	VA3386-3133A	1	HOSE ASSY	
	VA3386-3132A	1	HOSE ASSY, w/SWEEPER	
2	VA5411-1212	1	SWIVEL UNION ADAPTER	
3	VA3910-0050A	1	CONTROL VALVE, SINGLE SPOOL	
	VA3910-0101A	1	CONTROL VALVE, SINGLE SPOOL W/CRYSTEEL HOIST	
	VA3910-0049A	1	CONTROL VALVE, DUAL SPOOL	
	VA3910-0002A	1	CONTROL VALVE, DUAL SPOOL W/CRYSTEEL HOIST	
4	VA5403-1012	1	STRAIGHT UNION ADAPTER	
	VA5403-0808	1	STRAIGHT UNION ADAPTER, w/CRYSTEEL HOIST	
5	VA5401-1212	1	SWIVEL UNION ADAPTER	
	VA5401-0808	1	SWIVEL UNION ADAPTER, w/CRYSTEEL HOIST	
6	VA5411-1012	1	SWIVEL UNION ADAPTER	
	VA100430	1	SWIVEL UNION ADAPTER, w/CRYSTEEL HOIST	
7	VA9110-0004B	1	RELIEF CARTRIDGE, H. HOIST	
	VA9110-0005B	1	RELIEF CARTRIDGE, C. HOIST	
8	VA4525-0060A	1	LINK	
9	VA8352-0026B	1	HANDLE	
10	VA2722-0319	1	CLEVIS PIN, 1/4X1-1/4	
	VA2722-0308	1	COTTER PIN, 3-1/2X3/4	
11	VA2790-0008A	1	SPRING PIN	
12	VA2998-0026A	1	ADJUSTABLE YOKE	
13	VA2722-0341	1	CLEVIS PIN	
	VA2352-0034	1	COTTER HAIR PIN	
14	VA2102-0081A	1	CONTROL CABLE	
15	VA5411-1216	1	SWIVEL UNION ADAPTER	
16	VA5409-1616	1	STRAIGHT NIPPLE ADAPTER, 1", (vs units only)	
17	VA5100-0016	1	PIPE TEE, 1", (vs units only)	
18	VA5401-1616	1	SWIVEL UNION ADAPTER, (vs units only)	
19	VA1364	1	STRAIGHT SWIVEL UNION ADAPTER, 1", (vs units only)	
20	VA3386-4167A	2	HOSE ASSY	
21	VA2722-0344	1	CLEVIS PIN	



## Stub Boom Hydraulics

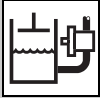






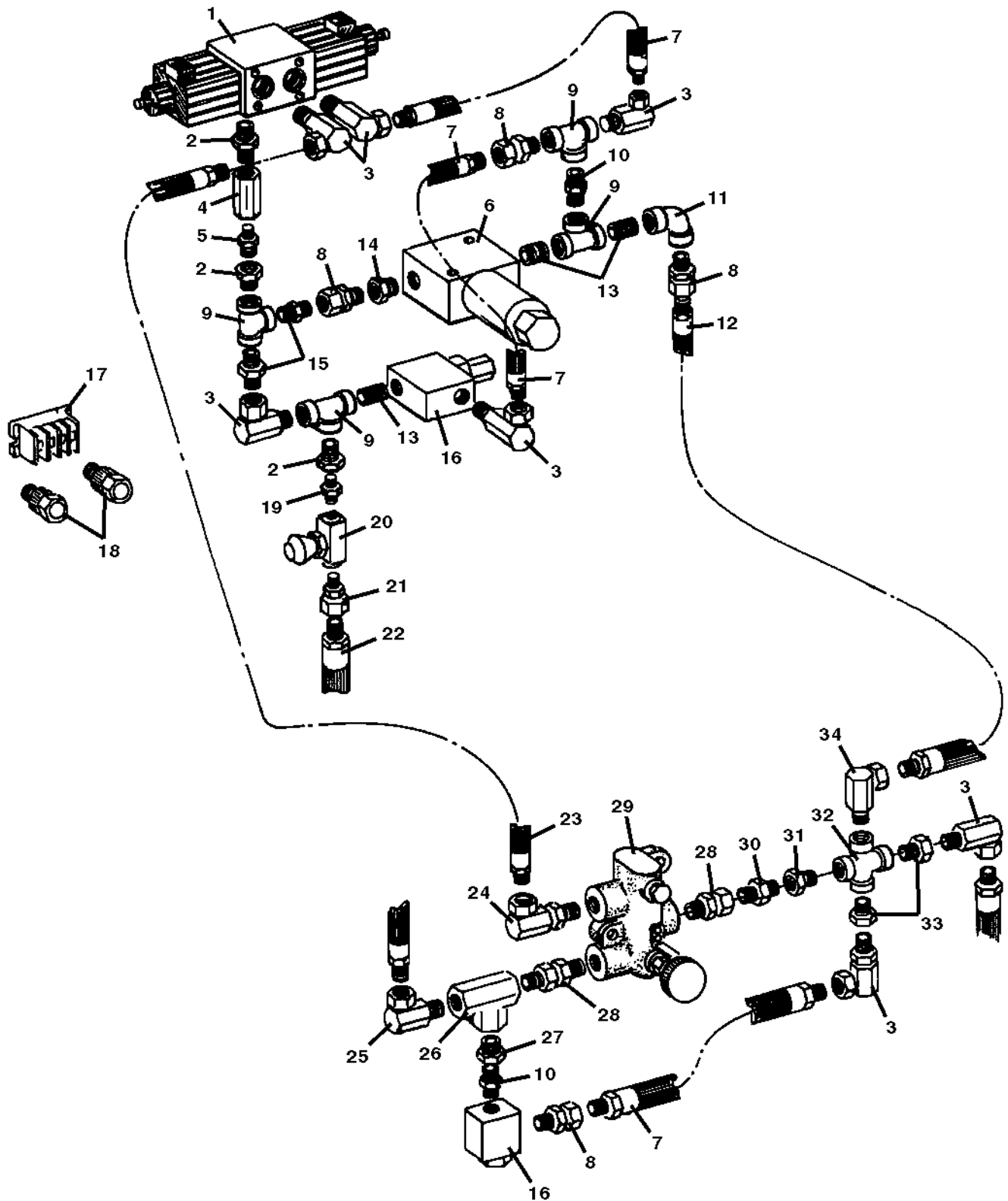
## Stub Boom Hydraulics

Item	Part Number	Qty.	Description	Rev.
1	VA2102-0090A	1	BOOM CONTROL CABLE	
2	VA4090-0326A	1	CABLE BRACKET	
3	VA3386-3133A	1	HOSE ASSY	
4	VA5411-1212	1	SWIVEL UNION ADAPTER	
5	VA3910-0044A	1	HOIST VALVE	
6	VA4352-0012A	2	HANDLE	
7	VA2998-0026A	1	ADJUSTABLE YOKE	
8	VA2722-0341	1	CLEVIS PIN	
	VA2352-0003A	1	COTTER PIN	
9	VA100836	1	UNION	
10	VA3386-2165A	2	HOSE	
11	VA5401-1212	1	UNION	
12	VA5411-1012	1	UNION	
13	VA5403-1012	2	UNION	
14	VAF0555	3	CAPSCREW, 3/8X2-3/4	
	VAF7275	3	LOCKWASHER, 3/8"	
	VAF2975	3	NUT, 3/8"	
15	VA9525-0009	2	LINKAGE & PINS	
16	VA5411-1216	1	UNION	
17	VA5409-1616	1	NIPPLE	
18	VA5106-0016	1	CROSS	
19	VA1364	1	UNION	
20	VA3386-4167A	1	HOSE	
21	VA5401-1616	1	UNION	
22	VA5113-1216	1	BUSHING	
23	VA5402-1208	1	UNION	
24	VA5403-1008	2	UNION	
25	VA2910-0009A	1	FLOW DIVIDER VALVE	
26	VA5403-1006	1	UNION	
27	VA5409-0808	1	NIPPLE	
28	VA5409-0606	1	NIPPLE	
29	VA5401-0008	1	UNION	
30	VA5404-0808	1	TEE	
31	VA5404-0606	1	TEE	
32	VA5113-0406	2	BUSHING	
33	VA2910-0104A	1	CHECK VALVE	
34	VA5401-0406	1	UNION	
35	VA3386-1179A	1	HOSE	
36	VA@0183	1	BUSHING	
37	VA5409-0404	1	NIPPLE	
38	VA2910-0011A	1	NEEDLE VALVE	
39	VA5401-0404	1	UNION	
40	VA3386-0117A	1	HOSE	

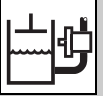


# HYDRAULIC CIRCUITS

## Engine Driven Power Boom

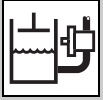


PAM0550



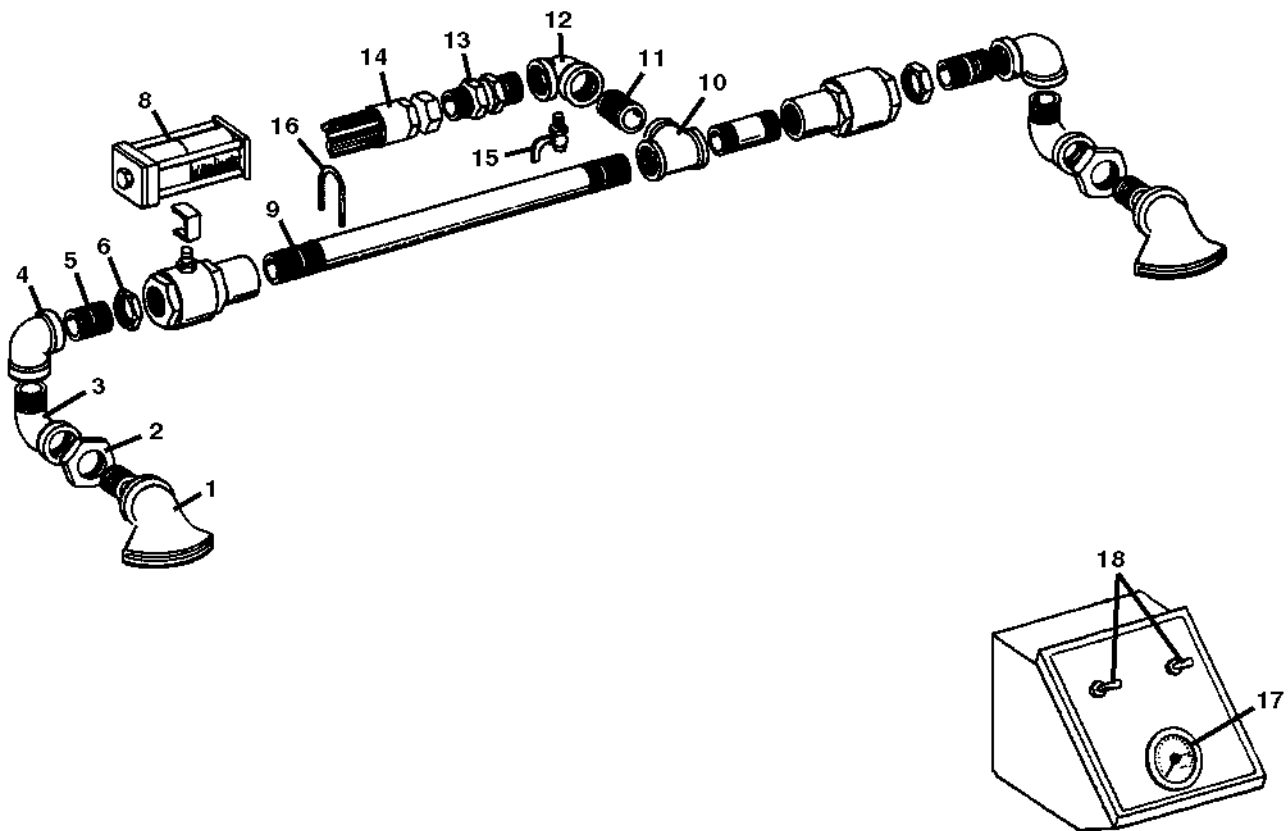
## Engine Driven Power Boom

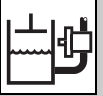
Item	Part Number	Qty.	Description	Rev.
1	VA3910-0028A	1	CONTROL VALVE	
2	VA5406-0604	2	REDUCER BUSHING	
3	VA5401-0606	6	SWIVEL UNION ADAPTER	
4	VA2910-0104A	1	CHECK VALVE	
5	VA21793	1	NIPPLE	
6	VA2910-0112A	1	SOLENOID VALVE	
7	VA3386-1179A	3	HOSE ASSY	
8	VA5402-0606	3	SWIVEL ADAPTER	
9	VA5404-0606	4	TEE	
10	VA5409-0606	2	NIPPLE	
11	VA5408-0606	1	ELBOW	
12	VA3386-1181A	1	HOSE ASSY	
13	VA16020	3	NIPPLE	
14	VA5406-0806	2	REDUCER BUSHING	
15	VA5405-0606	2	MALE JOINT ADAPTER	
16	VA2910-0018A	2	RELIEF VALVE	
17	VA2862-0053A	4	TERMINAL	
	VA2862-0054A	1	TERMINAL END	
18	VA2139-0004A	2	CORD GRIPPER	
	VA2647-0011A	2	NUT	
19	VA5409-0404	1	PIPE NIPPLE	
20	VA2910-0011A	1	FLOW CONTROL VALVE	
21	VA5402-0406	1	STRAIGHT SWIVEL UNION	
22	VA3386-1188A	1	HOSE ASSY	
23	VA3386-1181A	1	HOSE ASSY	
24	VA5411-1006	1	SWIVEL UNION ADAPTER	
25	VA5401-1212	1	SWIVEL UNION ADAPTER	
26	VA5414-1212	1	TEE	
27	VA5406-1206	1	REDUCER BUSHING	
28	VA5403-1012	2	STRAIGHT SWIVEL UNION	
29	VA2910-0009A	1	FLOW DIVIDER VALVE	
30	VA5409-1212	1	CONNECTOR	
31	VA@0086	1	REDUCER BUSHING	
32	VA5165-0016	2	CROSS	
33	VA5406-0616	2	REDUCER BUSHING	
34	VA5401-1616	2	SWIVEL UNION ADAPTER	



# HYDRAULIC CIRCUITS

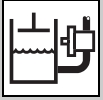
## Street Flusher



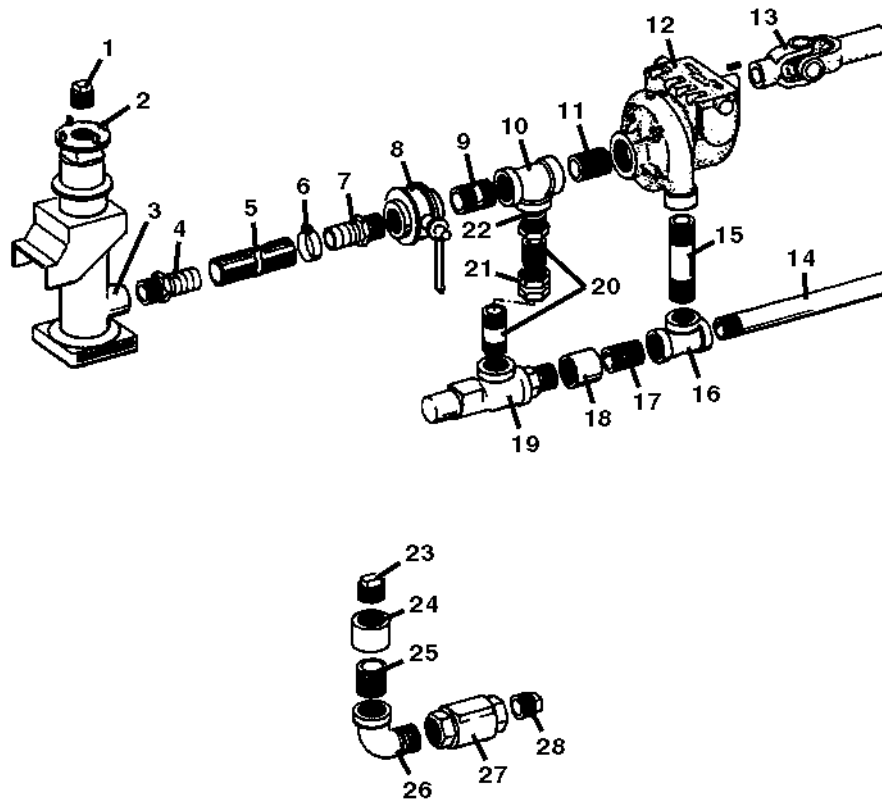


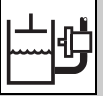
## Street Flusher

Item	Part Number	Qty.	Description	Rev.
1	VA2635-0006B	2	NOZZLE	
2	VA2647-0029A	2	LOCKNUT	
3	VA4220-0007A	2	ELBOW	
4	VA5114-3240	2	ELBOW	
5	VA2620-0003A	2	NIPPLE	
6	VA2647-0028A	2	LOCKNUT	
	VA3910-0092A	1	VALVE ASSY, (items 7 & 8)	
7	VA2910-0116B	2	BALL VALVE	
8	VA2010-0008B	2	ACTUATOR VALVE	
9	VA5209-3204	1	NIPPLE	
10	VA5100-0032	1	TEE	
11	VA5209-3201	1	NIPPLE	
12	VA5102-0032	1	ELBOW	
13	VA5402-3232	1	UNION	
14	VA5370-3204	1	HOSE ASSY	
15	VA2910-0016A	1	DRAIN VALVE	
16	VA2899-0016A	2	U BOLT, 2X3/8	
17	VA2347-0023A	1	PRESSURE GAUGE	
18	VA2910-0131A	2	AIR SWITCH	
	VA9486-0124A	1	VALVE TO ACTUATOR MOUNTING KIT	



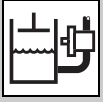
## Street Flusher Pump





## Street Flusher Pump

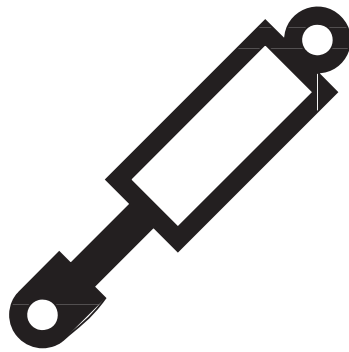
Item	Part Number	Qty.	Description	Rev.
1	VA2738-0032A	1	PLUG	
2	VA8726-0051B	1	ANTI SWIRL PLATE	
3	VA6845-0002C	1	STRAINER ASSY	
4	VA5112-0048	1	NIPPLE	
5	VA5361-4813	1	HOSE	
6	VAE-4534-2	2	CLAMP	
7	VA5112-0048	1	NIPPLE	
8	VA2910-0107C	1	SHUT OFF VALVE	
9	VA5211-4811	1	NIPPLE	
10	VA5100-0048	1	TEE	
11	VA5211-4801	1	NIPPLE	
12	VA3747-0006A	1	PUMP	
13		1	DRIVE SHAFT	
14	VA5209-3243	1	NIPPLE	
15	VA5209-3203	1	NIPPLE	
16	VA4856-0002A	1	TEE	
17	VA5209-3204	1	NIPPLE	
18	VA5108-0032	1	COUPLING	
19	VA3910-0093C	1	RELIEF VALVE	
20	VA5209-3206	2	NIPPLE	
21	VA2138-0120A	1	COUPLING	
22	VA5113-4832	1	REDUCER BUSHING	
23	VA2738-0026A	1	PLUG	
24	VA@0174	1	COUPLING	
25	VA16043	1	NIPPLE	
26	VA4220-0017A	1	ELBOW	
27	VA2910-0063A	1	CHECK VALVE	
28	VA6739-0002A	1	PLUG	



**This Page Intentionally Left Blank**



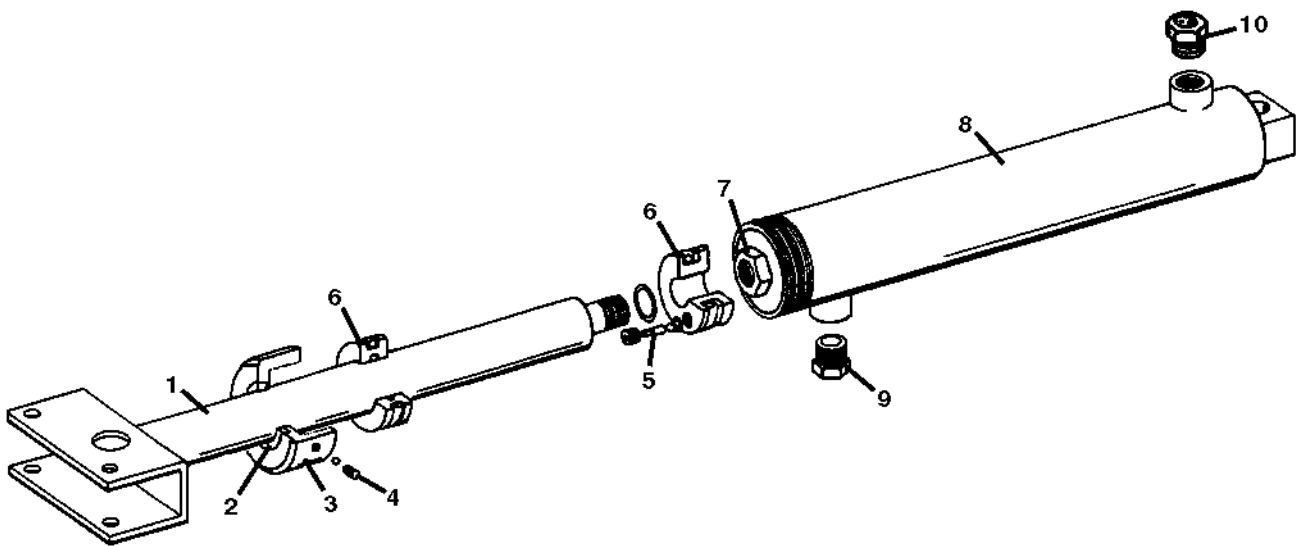
## **SECTION 7 -HYDRAULIC COMPONENTS**



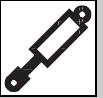


# HYDRAULIC COMPONENTS

## Hoist Cylinder



PAM0370



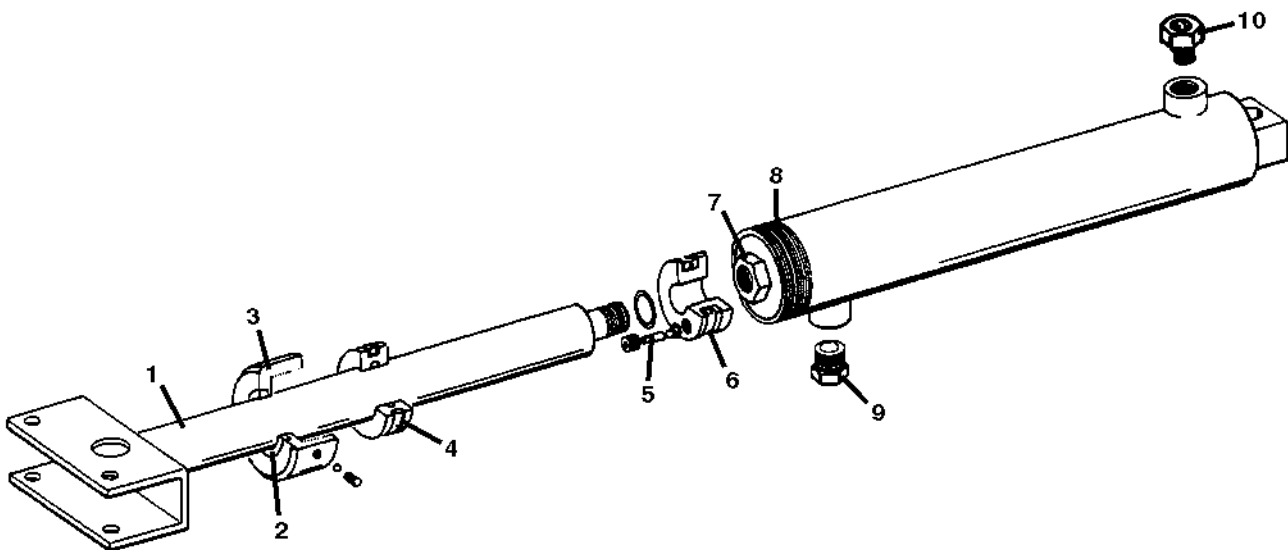
## Hoist Cylinder

Item	Part Number	Qty.	Description	Rev.
	VA9148-0006A		HOIST CYLINDER, (all items)	
1	VA9820-0050	1	ROD	
2	VA9974-0007	1	WIPER	
3	VA9104-0028	1	CAP	
4	VA9812-0063	1	SET SCREW	
5	VA9486-0121A	1	BYPASS VALVE	
6	VA9486-0120A	1	SEAL & HEAD KIT	
7	VA9647-0057	1	JAM NUT	
8	VA9391-0038	1	CYLINDER CASE	
9	VA5418-0008	1	PLUG	
10	VA5418-0010	1	PLUG	



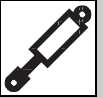
# HYDRAULIC COMPONENTS

## Hoist Cylinder



PAM0380

# HYDRAULIC COMPONENTS



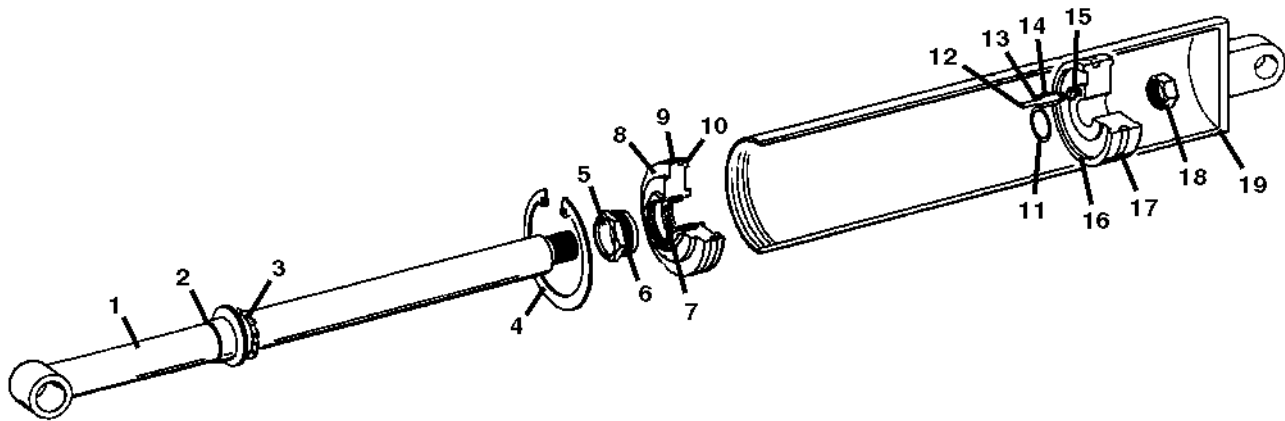
## Hoist Cylinder

Item	Part Number	Qty.	Description	Rev.
	VA9148-0005A		HOIST CYLINDER, (all items)	
1	VA9820-0049	1	ROD	
2	VA9974-0007	1	WIPER	
3	VA9104-0027	1	CAP	
4	VA9812-0063	1	SET SCREW	
5	VA9486-0121A	1	BYPASS VALVE	
6	VA9486-0119A	1	SEAL & HEAD KIT	
7	VA9647-0057	1	JAM NUT	
8	VA9391-0037	1	CYLINDER CASE	
9	VA5418-0008	1	PLUG	
10	VA5418-0010	1	PLUG	



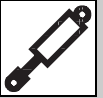
# HYDRAULIC COMPONENTS

## Hoist Cylinder



PAM0390

# HYDRAULIC COMPONENTS



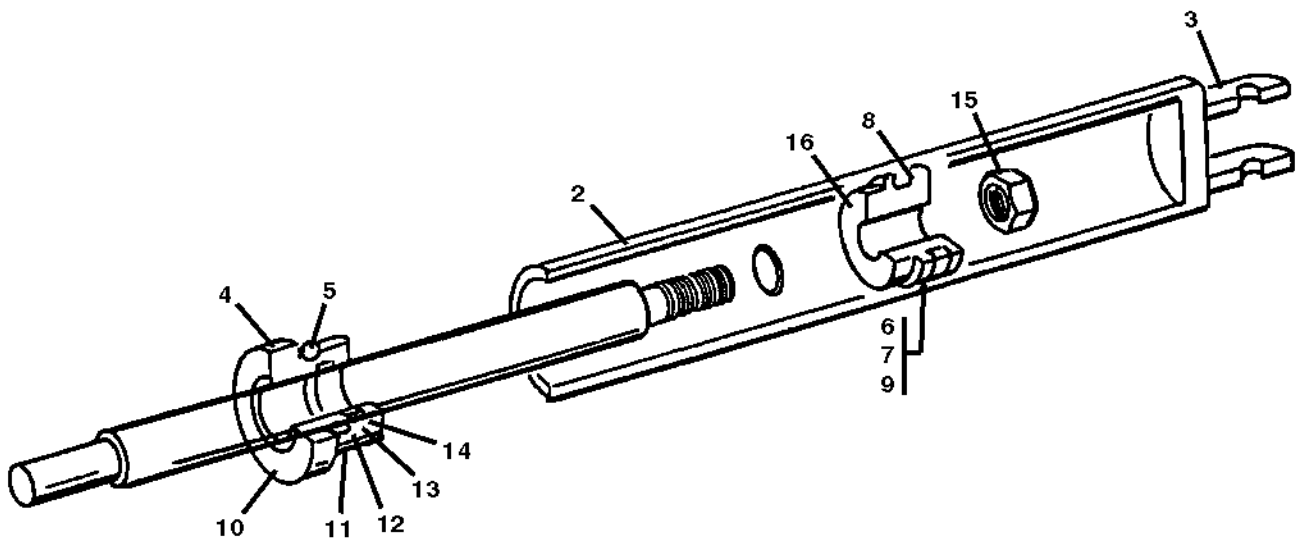
## Hoist Cylinder

Item	Part Number	Qty.	Description	Rev.
	VA9148-0004B		HOIST CYLINDER, (all items)	
1	VA9785-0020	1	ROD ASSY	
2	VA9837-0020	1	SPACER ASSY	
3		1	WAVE WASHER	
4		1	RETAINER	
5		1	WIPER	
6	VA9647-0050	1	PACKING NUT	
7		1	VEE PACKING	
8	VA9327-0001	1	GLAND	
9		1	BACK-UP RING	
10		1	O-RING	
11		1	O-RING	
12	VA9839-0004	1	SPOOL	
13		1	O-RING	
14	VA9391-0028	1	HOUSING	
15	VA9056-0007	1	BALL	
16	VA9725-0018	1	PISTON	
17		1	PISTON SEAL	
18	VA9647-0051	1	LOCKNUT	
19	VA9391-0027	1	CYLINDER CASE	
	VA9486-0054A	1	REPAIR KIT, (3-5, 7, 9-11, 13, 17)	



# HYDRAULIC COMPONENTS

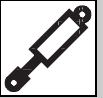
## Hydraulic Boom Cylinder



PAM0520



# HYDRAULIC COMPONENTS



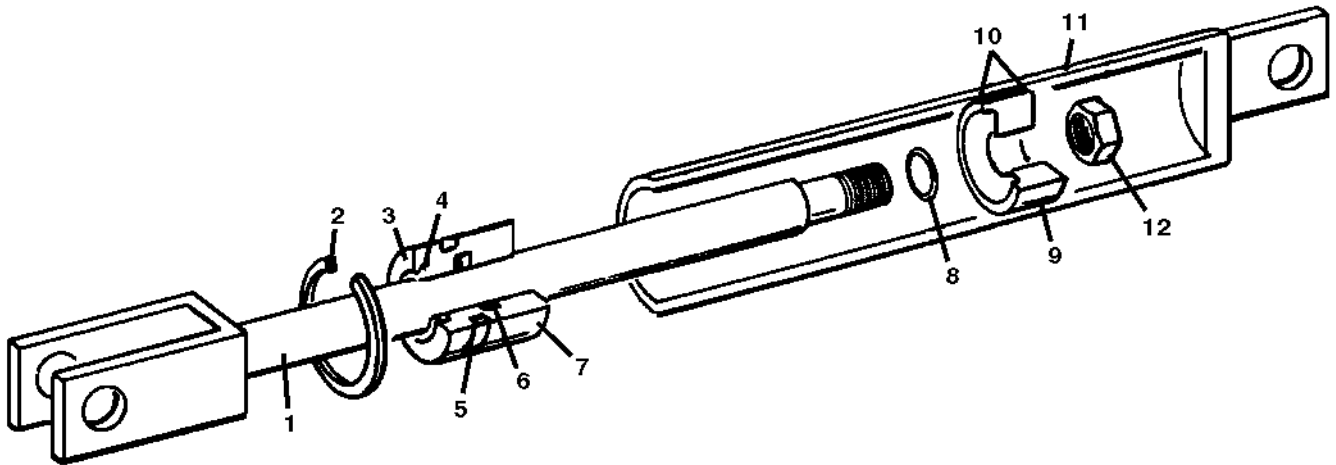
## Hydraulic Boom Cylinder

Item	Part Number	Qty.	Description	Rev.
	VA3148-0067C		HYDRAULIC BOOM CYLINDER, (all items)	
1	VA9785-0030	1	ROD	
2	VA9391-0043	1	BARREL	
3	VA16170	2	GREASE FITTING	
4	VA9327-0006	1	HEAD GLAND	
5	VA9327-0005	1	U-CUP GLAND	
6		1	O-RING	
7		1	O-RING	
8		1	PISTON SEAL	
9		1	O-RING	
10		1	O-RING	
11		1	BACKUP RING	
12		1	U-CUP	
13		1	WIPER	
14		1	NYLON SLUG	
15	VA9647-0062	1	LOCKNUT	
	VA9486-0153A	1	SEAL KIT, (items 6-14)	



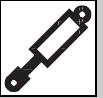
# HYDRAULIC COMPONENTS

## Stub Boom Cylinder



PAM0560

# HYDRAULIC COMPONENTS



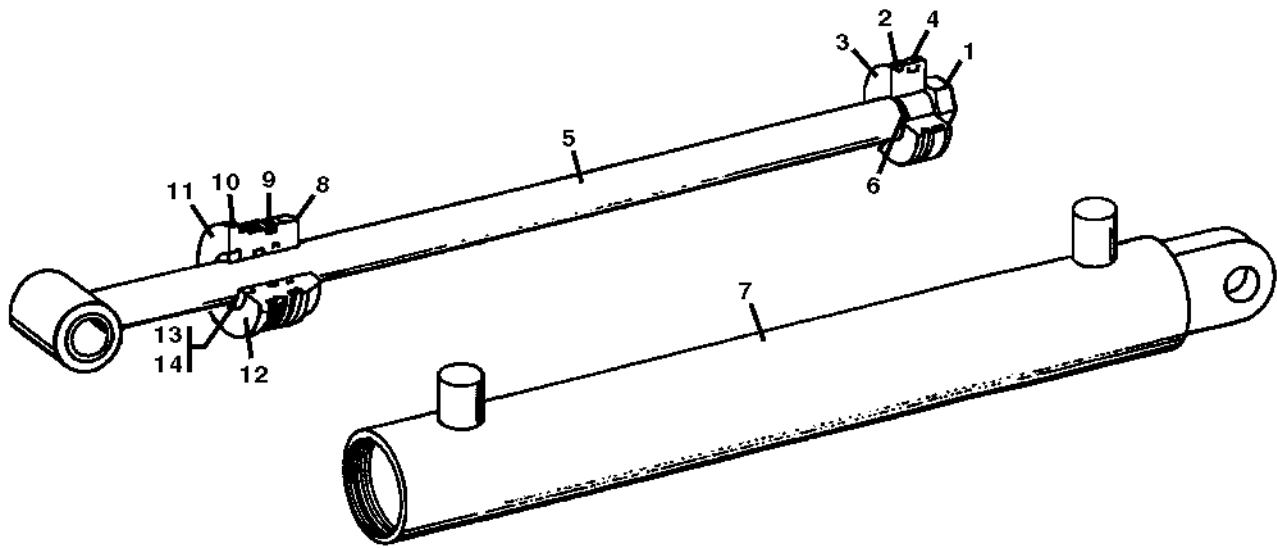
## Stub Boom Cylinder

Item	Part Number	Qty.	Description	Rev.
	VA3148-0052C		COMPLETE CYLINDER ASSY, (all items)	
1	VA9820-0046	1	ROD	
2	VA9772-0038	1	RETAINER RING	
3		1	CYLINDER HEAD	
4		1	ROD WIPER	
5		1	O-RING	
6		1	LEATHER SEAL	
7		1	O-RING	
8		1	O-RING	
9		1	PISTON	
10		2	O-RINGS	
11	VA9085-0025	1	CYLINDER TUBE	
12	VA9647-0054	1	LOCKNUT	
	VA9486-0112A	1	SEAL KIT, (items 3-5 & 7-10)	

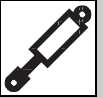


# HYDRAULIC COMPONENTS

## Front Boom Lift Cylinder



PAM1060



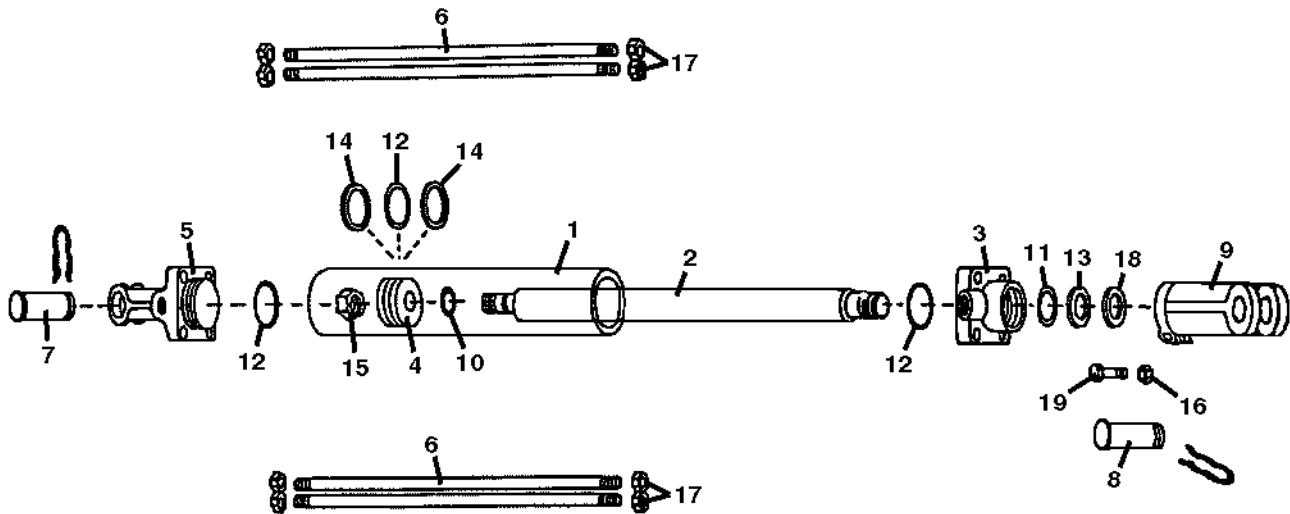
## Front Boom Lift Cylinder

Item	Part Number	Qty.	Description	Rev.
	VAE-6708		FRONT BOOM LIFT CYLINDER, (all items)	
1	VAE-5975-2	1	LOCKNUT	
2		1	O-RING	
3	VAE-6708-4	1	PISTON	
4		1	PISTON SEAL	
5	VAE-5975-6	1	ROD	
6		1	O-RING	
7	VAE-6708-8	1	BARREL	
8	VAE-5975-9	1	SLEEVE	
9		1	O-RING w/BACK-UP	
10	VAE-5975-11	1	WIRE LOCK	
11	VAE-5975-12	1	CAP	
12	VAE-5975-13	2	CAPSCREW	
13		1	O-RING w/BACK-UP	
14		1	ROD WIPER	
	VAE5975SK	1	SEAL KIT	

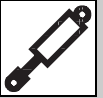


# HYDRAULIC COMPONENTS

## Front Boom Rotate Cylinder



# HYDRAULIC COMPONENTS



## Front Boom Rotate Cylinder

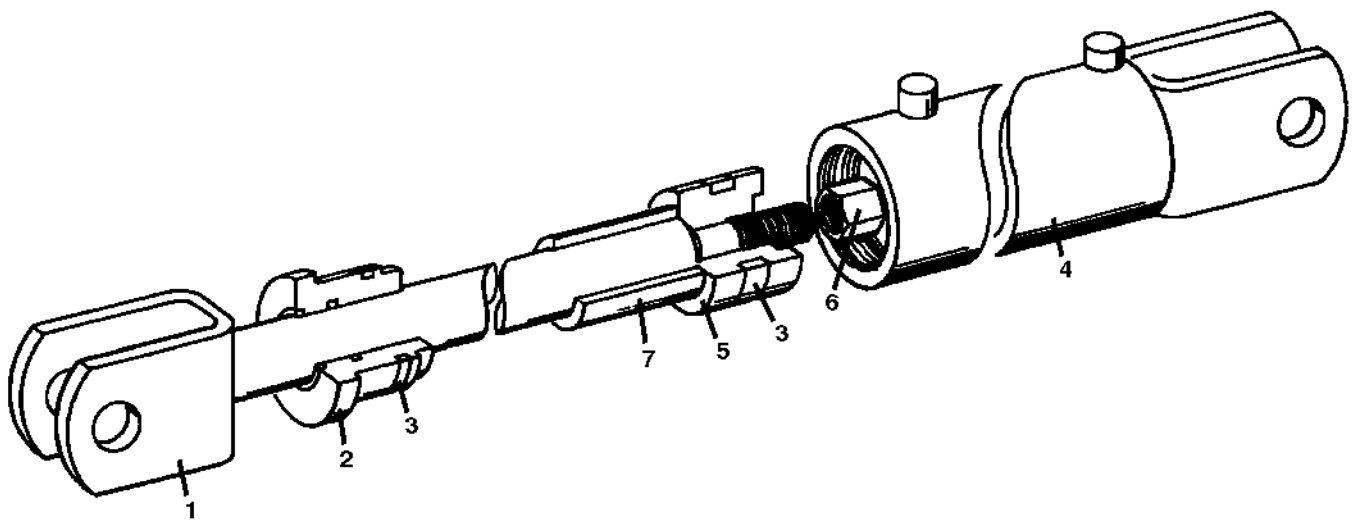
Item	Part Number	Qty.	Description	Rev.
	VA3148-0038A		FRONT BOOM ROTATE CYLINDER, (all items)	
1	VA9895-0010	1	CYLINDER TUBE	
2	VA9785-0011	1	PISTON ROD	
3	VA9348-0009	1	PISTON ROD GUIDE	
4	VA9725-0009	1	PISTON	
5	VA9054-0002	1	BASE	
6	VA9785-0012	4	TIE ROD	
7	VA9722-0013	1	PIN	
8	VA9722-0014	1	PIN	
9	VA9990-0007	1	YOKE	
10		1	O-RING	
11		1	O-RING	
12		3	O-RING	
13		1	BACK-UP WASHER	
14		2	BACK-UP WASHER	
15	VA9647-0027	1	NUT	
16		1	NUT	
17	VA9647-0035	1	NUT	
18		1	ROD WIPER	
19	VA2807-0091	1	SCREW	
	VA9832-0066	1	SEAL KIT	



## HYDRAULIC COMPONENTS

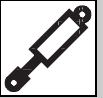
### Front Boom Telescoping Cylinder

---



PAM1080





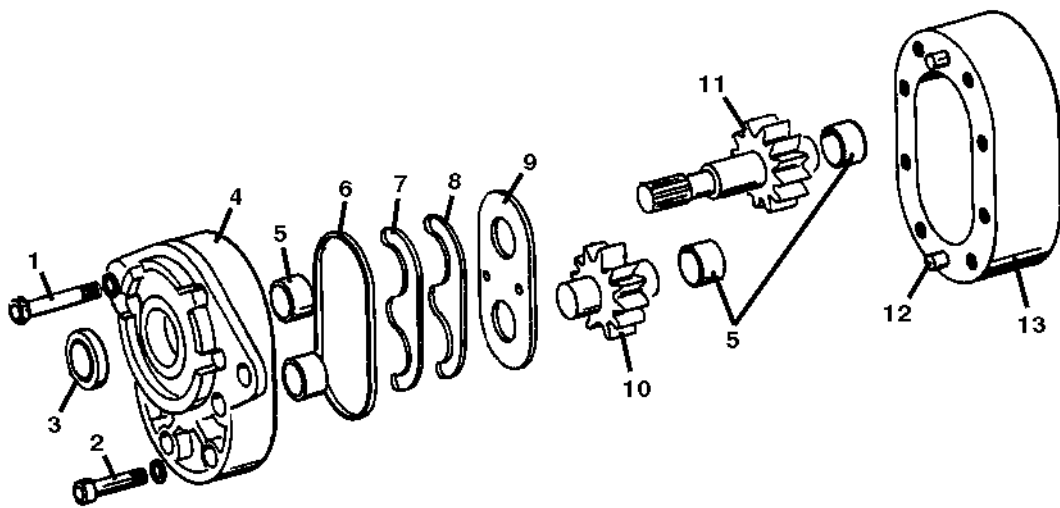
## Front Boom Telescoping Cylinder

Item	Part Number	Qty.	Description	Rev.
	VA3148-0062B		FRONT BOOM TELESCOPING CYLINDER, (all items)	
1	VA9820-0056	1	SHAFT WELDMENT	
2	VA9327-0004	1	END GLAND	
3	VA9803-0024	1	SEAL KIT	
4	VA9895-0039	1	TUBE WELDMENT	
5	VA9725-0023	1	PISTON	
6		1	LOCKNUT, 3/4X16	
7	VA9837-0023		STROKE BLOCK	

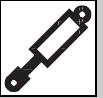


# HYDRAULIC COMPONENTS

## Hydraulic Gear Pump



# HYDRAULIC COMPONENTS



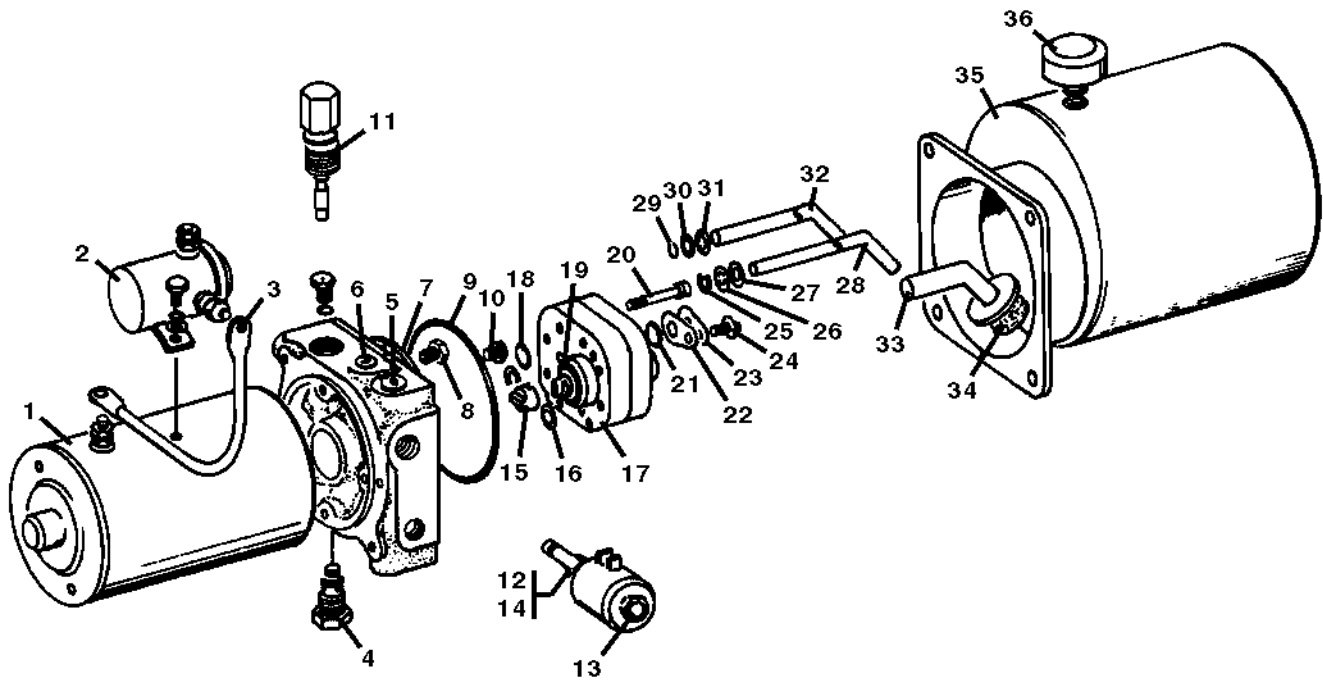
## Hydraulic Gear Pump

Item	Part Number	Qty.	Description	Rev.
	VA9498-0017	1	PUMP KEY ASSY, (for 3745-0034a pump)	
	VA3745-0032A	1	PUMP KEY ASSY, (used on cummins "b" series engines)	
	VA3745-0033A	1	PUMP KEY ASSY, (used on gm 4-53, 4-53t, 3-53, 3-53t)	
	VA3745-0034A	1	PUMP KEY ASSY, (used on ford, john deere & catepillar)	
1	VA9812-0051	4	SCREW	
2	VA9812-0050	4	SCREW	
3		1	SEAL SHAFT	
4	VA9085-0016	1	BODY ASSY, (items 3 & 5)	
5	VA9063-0057	4	BEARING SLEEVE	
6		1	SLEEVE RING	
7		1	LOAD SEAL	
8		1	PRE-LOAD SEAL	
9		1	WEAR PLATE	
10	VA9314-0027	1	GEAR & IDLER SHAFT ASSY	
11	VA9314-0025	1	GEAR & DRIVE SHAFT ASSY, (item 5), (for 3745-0032a & 3745-0033a pumps)	
	VA9314-0026	1	GEAR & DRIVE SHAFT ASSY, (item 5), (for 3745-0034a pump, keyed)	
12	VA9722-0024	2	DOWEL PINS	
13	VA9139-0022	1	REAR COVER ASSY, (item 5)	
	VA9486-0035A	1	REPAIR KIT, (items 3 & 6-9)	

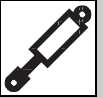


# HYDRAULIC COMPONENTS

## Boom Pump



# HYDRAULIC COMPONENTS



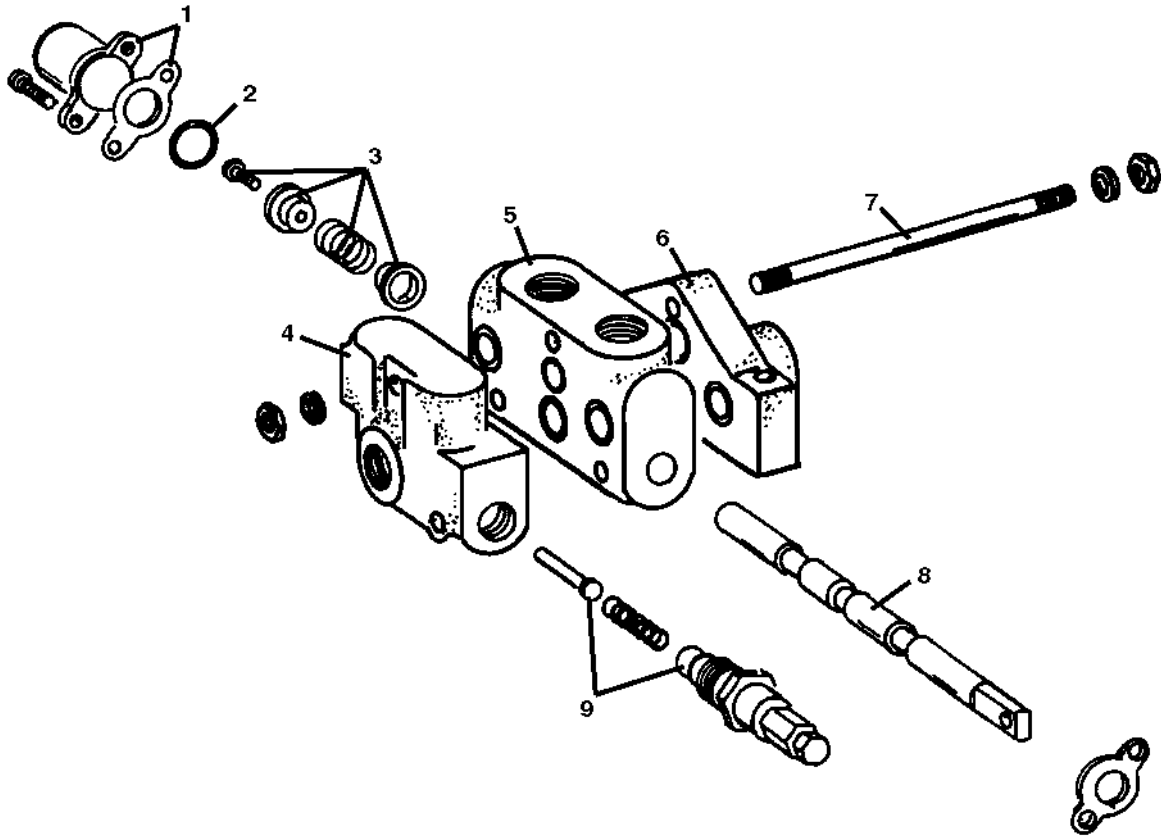
## Boom Pump

Item	Part Number	Qty.	Description	Rev.
	VA3745-0055D		BOOM PUMP, (all items)	
1	VA9585-0009A	1	MOTOR	
2	VA9826-0005A	1	SOLENOID	
3	VA9100-0001A	1	LEAD WIRE	
4		1	CHECK VALVE	
5		1	O-RING PLUG	
6		1	O-RING PLUG	
7		1	RETAINER	
8		2	HEX HD SELF-TAPPING SCREW	
9		1	O-RING	
10		4	SELF-TAPPING SCREW	
11	VA9910-0079A	1	RELIEF VALVE	
12	VA9085-0035	1	BODY SOLENOID VALVE	
13	VA9130-0021	1	COIL SOLENOID VALVE	
14	VA9910-0078A	1	SOLENOID VALVE ASSY	
15		1	COUPLING	
16		1	O-RING	
17		1	GASKET	
18		1	O-RING	
19		1	O-RING	
20		4	SCREW	
21		1	O-RING	
22		1	O-RING RETAINER	
23		1	LOCKING RETAINER	
24		1	SCREW	
25		1	O-RING	
26		1	PUSH ON RING	
27		1	WASHER	
28		1	RETURN TUBE	
29		1	O-RING	
30		1	PUSH ON RING	
31		1	SHIM	
32		1	RETURN TUBE	
33		1	INLET TUBE	
34		1	STRAINER	
35		1	RESERVOIR	
36		1	BREATHER	
	VA9486-0142B	1	ADAPTER KIT, (items 4-10)	
	VA9486-0140B	1	PUMP KIT, (items 15-24)	
	VA9486-0141B	1	PUMP SEAL KIT, (items 17-19)	
	VA9486-0143B	1	RESERVOIR KIT, (items 25-36)	

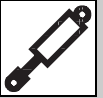


# HYDRAULIC COMPONENTS

## Body Hoist Control Valve



PAM0360



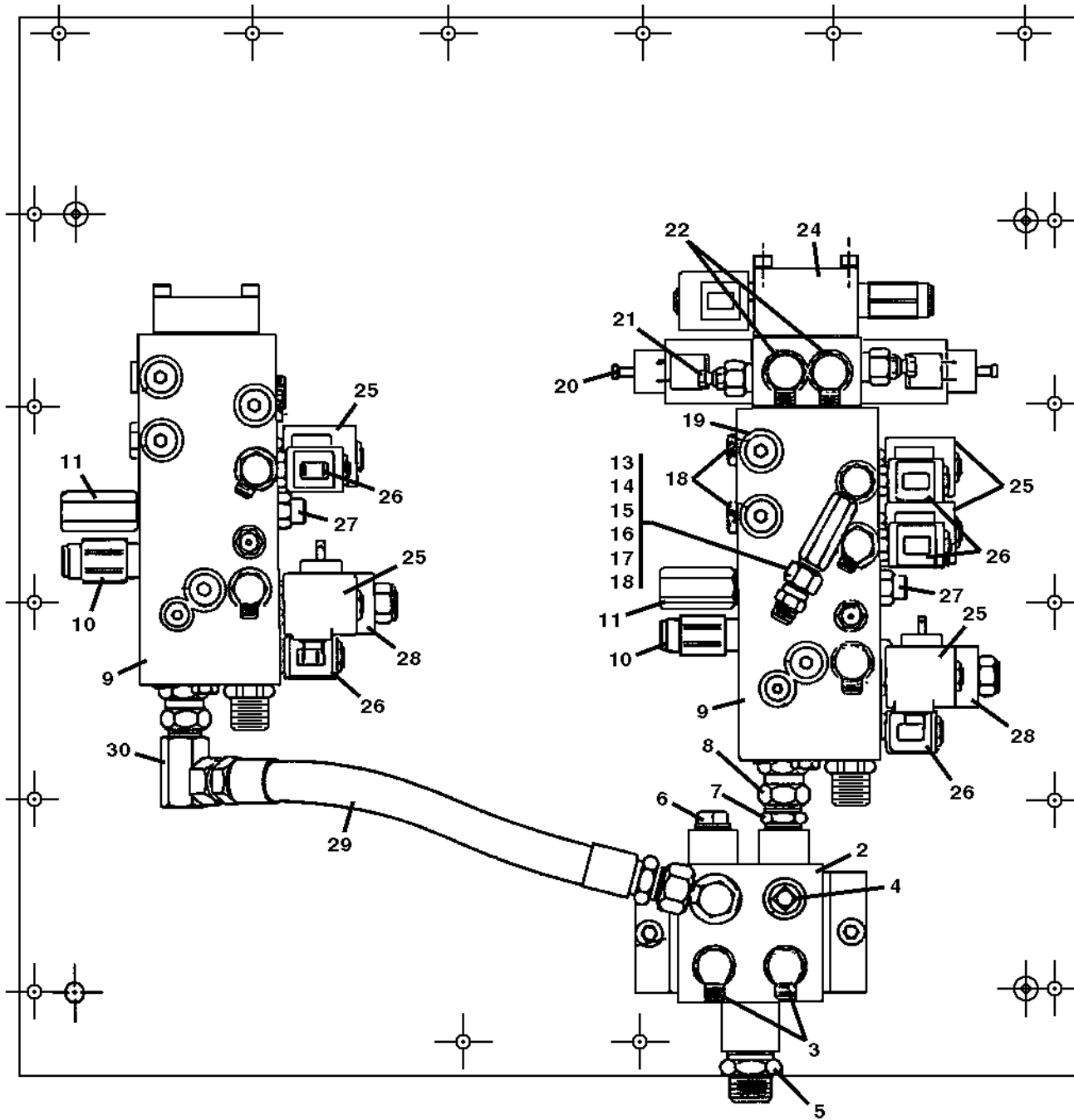
## Body Hoist Control Valve

Item	Part Number	Qty.	Description	Rev.
1	VA9704-0022	1	END CAP W/SCREWS, HEIL HOIST	
2		1	O-RING	
3	VA9486-0033A	1	CENTER SPRING KIT, HEIL HOIST	
4	VA9139-0020	1	INLET COVER, HEIL HOIST	
	VA9139-0041C	1	INLET COVER, CRYSTEEL HOIST	
5		1	VALVE SECTION	
	VA9910-0066C	1	VALVE SECTION, CRYSTEEL HOIST	
6	VA9139-0021	1	OUTLET COVER	
	VA9139-0042C	1	OUTLET COVER, CRYSTEEL HOIST	
7	VA9486-0015	1	BOLT KIT	
	VA9847-0014A	1	BOLT KIT, CRYSTEEL HOIST	
8		1	SPOOL	
9		1	RELIEF VALVE	
	VA9486-0115A	1	SEAL KIT	



# HYDRAULIC COMPONENTS

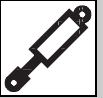
## Single Sweeper Main Control Valve



PAM0860



# HYDRAULIC COMPONENTS



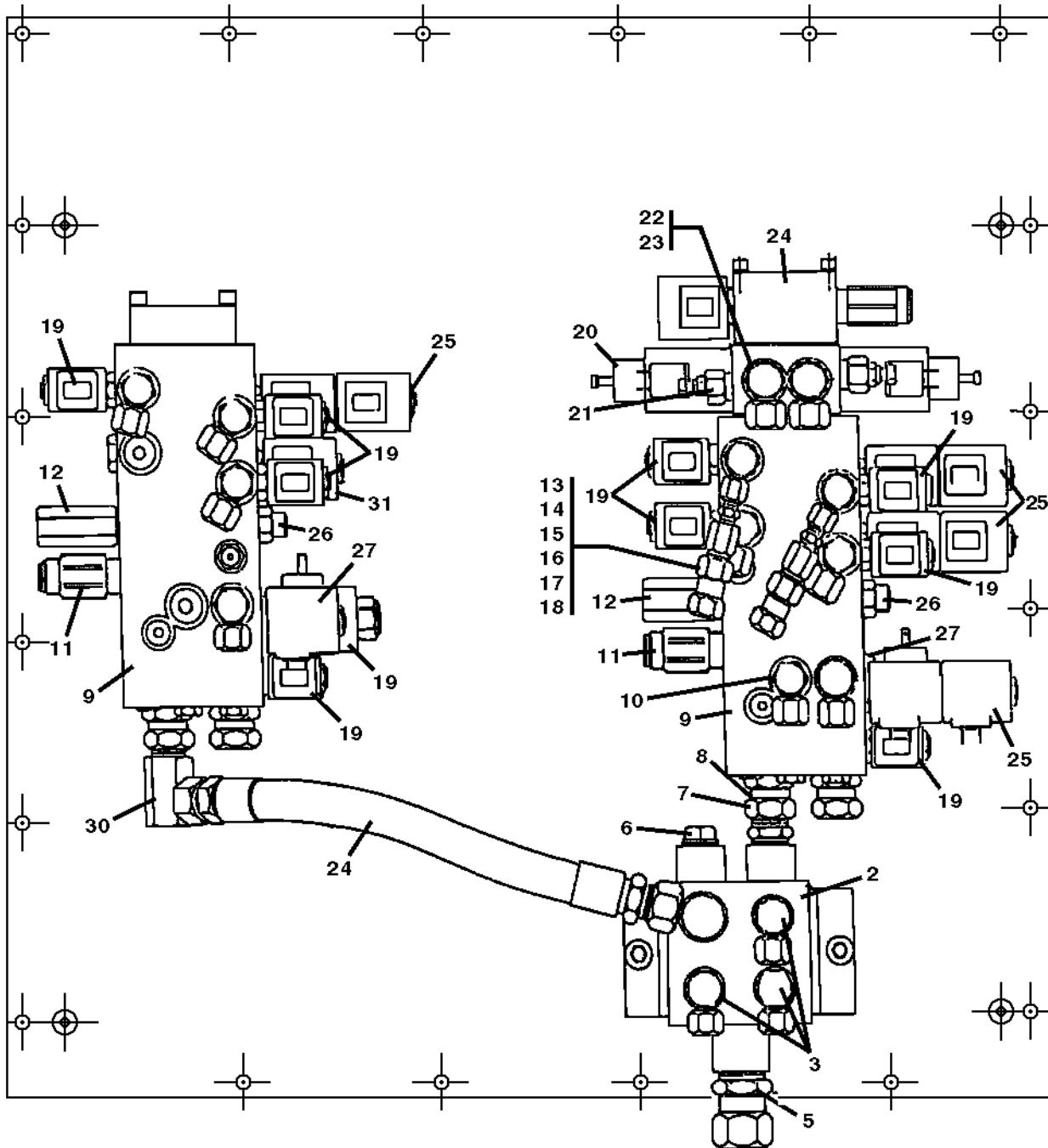
## Single Sweeper Main Control Valve

Item	Part Number	Qty.	Description	Rev.
	VA6705-0070A		SINGLE SWEEPER HYDRAULIC PANEL, (all items)	
1	VA8726-0058D	1	MOUNTING PLATE	
2	VA8552-0025C	1	RETURN MANIFOLD	
3	VA5600-0608	2	SWIVEL UNION ELBOW, 90 DEGREES	
4	VA@208	1	PIPE PLUG, 1/2"	
5	VA15697	1	MALE UNION CONNECTOR, 1"	
6	VA@102	1	PIPE PLUG, 3/4"	
7	VA16111	1	PIPE NIPPLE, 3/4"	
8	VA5644-1212	1	SWIVEL UNION, 3/4" O-RING X 3/4"	
10	VA3910-0132B	2	RELIEF VALVE	
11	VA3910-0129B	2	DIRECTIONAL FLOW CONTROL VALVE	
12	VA5417-0606	1	SWIVEL UNION, 3/8"	
13	VA9734-0004A	1	POPPET	
14	VA4087-0011A	1	RESTRICTER BODY	
15	VA5409-0404	1	PIPE NIPPLE, 1/4"	
16	VA3401-0604	1	SWIVEL UNION, 90 DEGREES	
17	VA5403-0806	1	SWIVEL UNION, 1/2" O-RING X 3/8"	
18	VA9729-0024A	2	2 WAY HEX PLUG, S.A.E. #8	
19	VA9729-0028A	2	O-RING BOSS PLUG, S.A.E. #8	
20	VA3910-0098B	1	BODY HOIST DIRECTIONAL CONTROL VALVE	
	VA9895-0032A	2	HEAVY SPRING TUBE ASSY	
	VA9130-0018	2	COIL SPADE, 12 VDC	
	VA9647-0036	2	COIL NUT, 14 D.S.	
21	VA2910-0126B	1	DUAL CROSS-OVER RELIEF VALVE	
	VA3486-0006A		VALVE STACKING KIT	
	VA9690-0038A	2	O-RING	
22	VA5403-0808	2	SWIVEL UNION, 1/2" O-RING X 1/2"	
23	VA5401-0808	2	SWIVEL UNION, 90 DEGREES	
24	VA3910-0119C	1	UNLOADING VALVE	
	VA9391-0042	1	CARTRIDGE HOUSING VALVE	
	VA3910-0140B	1	RELIEF VALVE	
	VA3910-0125B	1	SOLENOID VALVE ASSY	
	VA9110-0008	1	CARTRIDGE VALVE	
	VA9130-0022A	1	COIL	
25	VA3910-0127A	3	4-WAY VALVE, 2-POSITION	
	VA9110-0010	1	CARTRIDGE VALVE	
	VA9130-0023A	1	COIL	
26	VA3910-0125B	2	NORMALLY CLOSED SOLENOID CARTRIDGE VALVE	
	VA9110-0008	1	CARTRIDGE VALVE	
	VA9130-0022A	1	COIL	
	VA9179-0009A	1	ORIFICE DISC, 0.78	
27	VA3910-0130B	2	FLOW REGULATE VALVE	
28	VA3910-0131B	2	PROPORTIONAL FLOW CONTROL VALVE	
	VA9110-0014	1	CARTRIDGE VALVE	
	VA9130-0024A	1	COIL	
29	VA3386-3154A	1	HOSE	
30	VA5400-0012	1	SWIVEL UNION, 90 DEGREES	
31	VA104854	4	ELBOW UNION, 90 DEGREES	



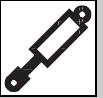
# HYDRAULIC COMPONENTS

## Dual Sweeper Main Control Valve



PAM0870

# HYDRAULIC COMPONENTS



## Dual Sweeper Main Control Valve

Item	Part Number	Qty.	Description	Rev.
	VA6705-0086D		DUAL SWEEPER HYDRAULIC PANAL, (all items)	
1	VA8726-0058D	1	MOUNTING PLATE	
2	VA8552-0025C	1	RETURN MANIFOLD	
3	VA101865	4	SWIVEL UNION, 90 DEGREES	
4	VA1361	1	SWIVEL UNION, 1/2"	
5	VA1364	1	SWIVEL UNION, 1"	
6	VA@102	1	PIPE PLUG, 3/4"	
7	VA5409-1212	1	PIPE NIPPLE, 3/4"	
8	VA5403-1212	1	SWIVEL UNION, 3/4" O-RING X 3/4"	
9	VA3910-0135D	2	BASIC BLOCK MANIFOLD ASSY	
10	VA3411-0806	7	SWIVEL UNION, 90 DEGREES	
11	VA3910-0132B	2	RELIEF VALVE	
12	VA3910-0129B	2	DIRECTIONAL FLOW CONTROL VALVE	
13	VA5417-0606	2	SWIVEL UNION, 3/8"	
14	VA9734-0004A	2	POPPET	
15	VA4087-0011A	2	RESTRICTER BODY	
16	VA5409-0404	4	PIPE NIPPLE, 1/4"	
17	VA3401-0604	2	SWIVEL UNION, 90 DEGREES	
18	VA5403-0806	2	SWIVEL UNION, 1/2" O-RING X 3/8"	
19	VA3910-0125B	4	SOLENOID VALVE ASSY	
	VA9110-0008	1	CARTRIDGE VALVE	
	VA9130-0022A	1	COIL	
	VA9179-0009A	2	ORIFICE DISC, 0.78	
20	VA3910-0098B	1	BODY HOIST DIRECTIONAL CONTROL VALVE	
	VA9895-0032A	2	HEAVY SPRING TUBE ASSY	
	VA9130-0018	2	COIL SPADE, 12 VDC	
	VA9647-0036	2	COIL NUT, 14 D.S.	
21	VA2910-0126B	1	DUAL CROSS-OVER RELIEF VALVE	
	VA3486-0006A		VALVE STACKING KIT	
	VA9690-0038A	2	O-RING	
22	VA5403-0808	2	SWIVEL UNION, 1/2" O-RING X 1/2	
23	VA5401-0808	2	SWIVEL UNION, 90 DEGREES	
24	VA3910-0119C	1	UNLOADING VALVE	
	VA9391-0042	1	CARTRIDGE HOUSING VALVE	
	VA3910-0140B	1	RELIEF VALVE	
	VA3910-0125B	1	SOLENOID VALVE ASSY	
	VA9110-0008	1	CARTRIDGE VALVE	
	VA9130-0022A	1	COIL	
25	VA3910-0128A	2	4-WAY VALVE, 3-POSITION	
	VA9110-0011	2	CARTRIDGE VALVE	
	VA9130-0023A	4	COIL	
26	VA3910-0130B	2	FLOW REGULATE VALVE	
27	VA3910-0131B	2	PROPORTIONAL FLOW CONTROL VALVE	
	VA9110-0014	1	CARTRIDGE VALVE	
	VA9130-0024A	1	COIL	
28	VA5403-1212	4	SWIVEL UNION, 3/4" O-RING X 3/4"	
29	VA3386-3154A	1	HOSE	
30	VA5400-0012	1	SWIVEL UNION, 90 DEGREES	
31	VA3910-0127B	1	4-WAY CARTRIDGE VALVE, 2-POSITION	

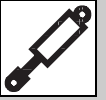


## HYDRAULIC COMPONENTS

### Dual Sweeper Main Control Valve (Continued)

Item	Part Number	Qty.	Description	Rev.
	VA9110-0010	1	CARTRIDGE VALVE	
	VA9130-0023A	1	COIL	

# HYDRAULIC COMPONENTS



## Dual Sweeper Main Control Valve (Continued)

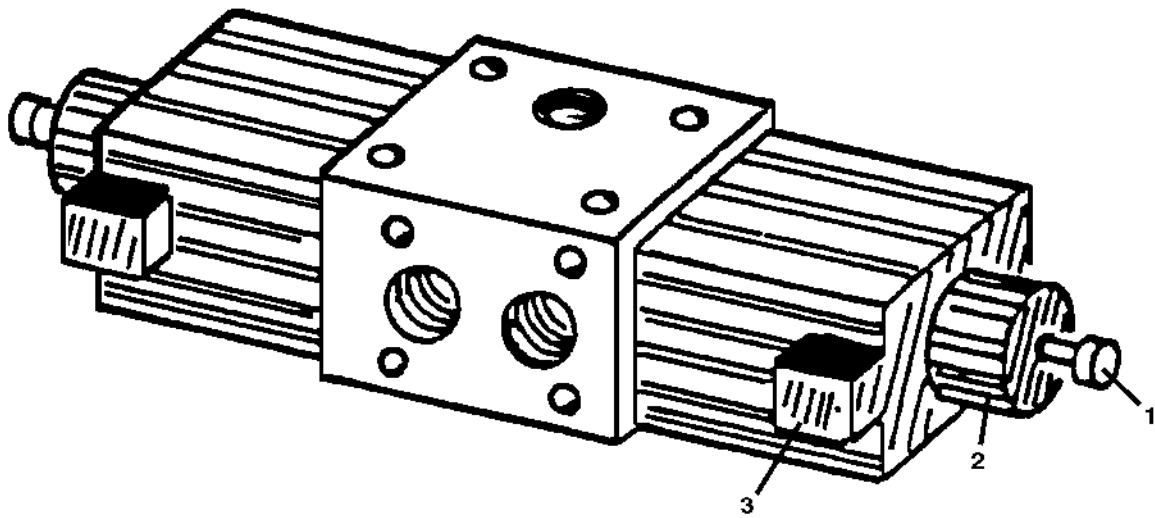
Item	Part Number	Qty.	Description	Rev.



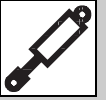
## HYDRAULIC COMPONENTS

### Directional Control Valve - Body Up/Down

---



PAM0900



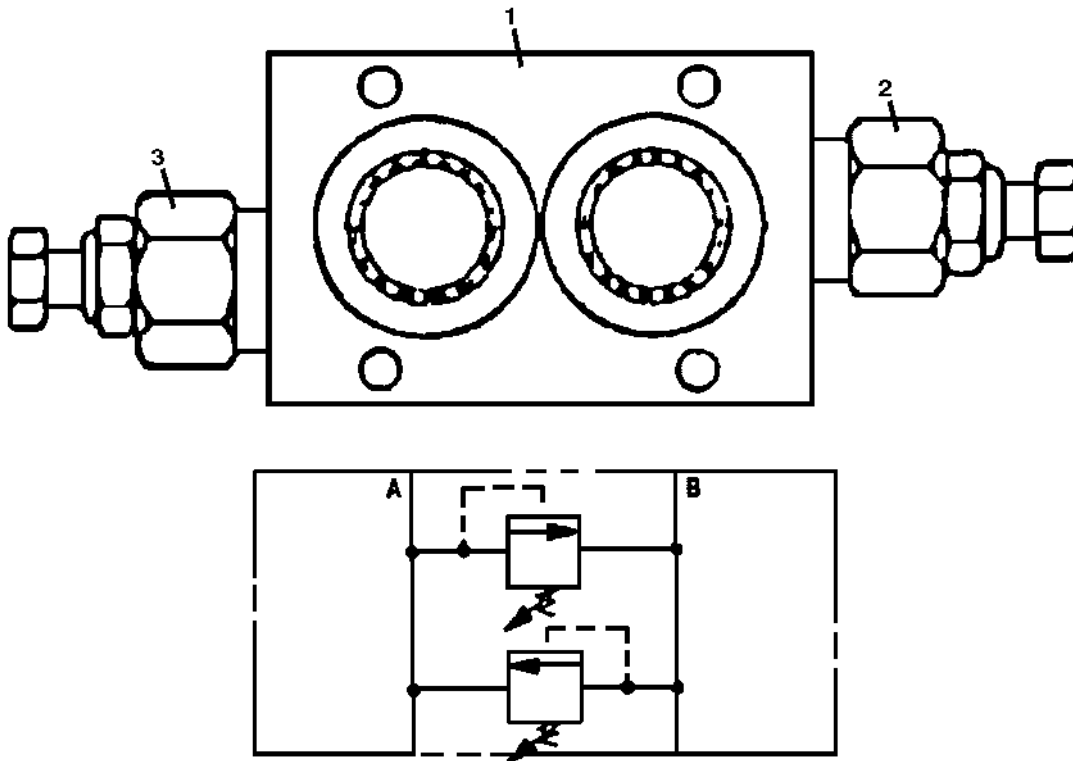
## Directional Control Valve - Body Up/Down

Item	Part Number	Qty.	Description	Rev.
	VA3910-0098B		DIRECTIONAL CONTROL VALVE, BODY UP/DOWN, (all items)	
1	VA9895-0032A	1	TUBE ASSY	
2	VA9647-0035	2	COIL NUT	
3	VA9130-0018	2	COIL, 12 DVC	



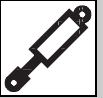
# HYDRAULIC COMPONENTS

## Dual Cross-Over Relief Valve - Body Hoist



"A" PORT - SET 800 P.S.I.  
"B" PORT - SET 2700 P.S.I.





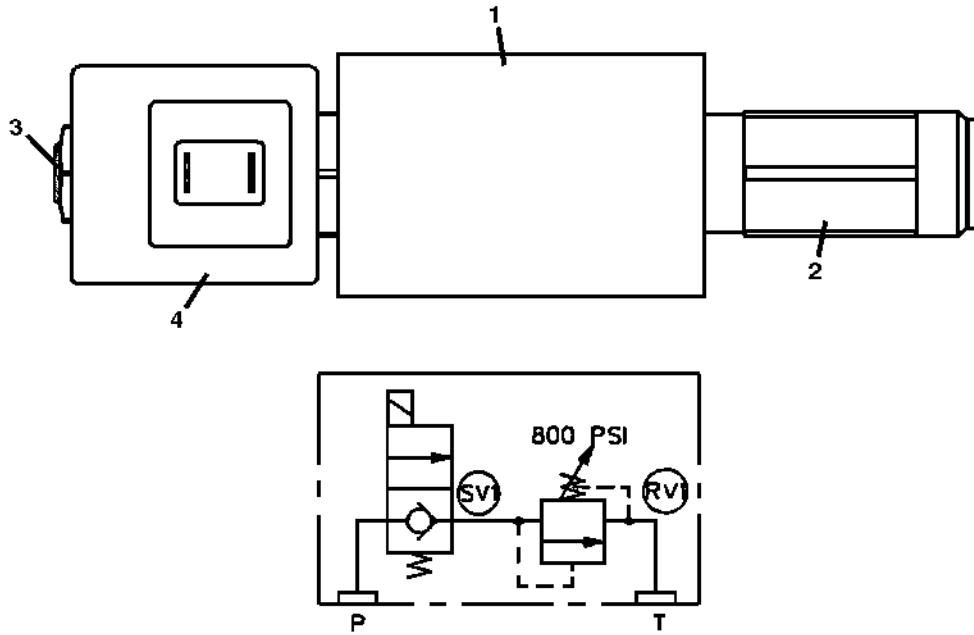
## Dual Cross-Over Relief Valve - Body Hoist

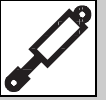
Item	Part Number	Qty.	Description	Rev.
	VA2910-0126B		DUAL CROSS-OVER RELIEF VALVE, (all items)	
1	VA9085-0030	2	BODY VALVE	
2	VA9910-0074	1	RELIEF VALVE, DOWN	
3	VA9910-0075	1	RELIEF VALVE, UP	



# HYDRAULIC COMPONENTS

## Unloading Valve w/Auto Raise





## Unloading Valve w/Auto Raise

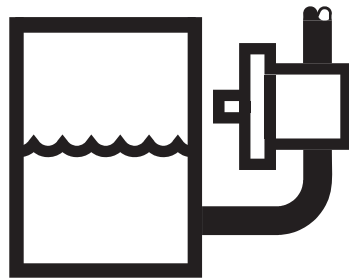
Item	Part Number	Qty.	Description	Rev.
	VA3910-0119C		UNLOADING VALVE w/AUTO RAISE, (all items)	
1	VA9391-0042	1	CARTRIDGE VALVE	
2	VA3910-0140B	1	RELIEF VALVE	
3	VA3910-0125B	1	SOLENOID VALVE	
4	VA9130-0022A	1	COIL	

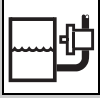


## HYDRAULIC COMPONENTS

**This Page Intentionally Left Blank**

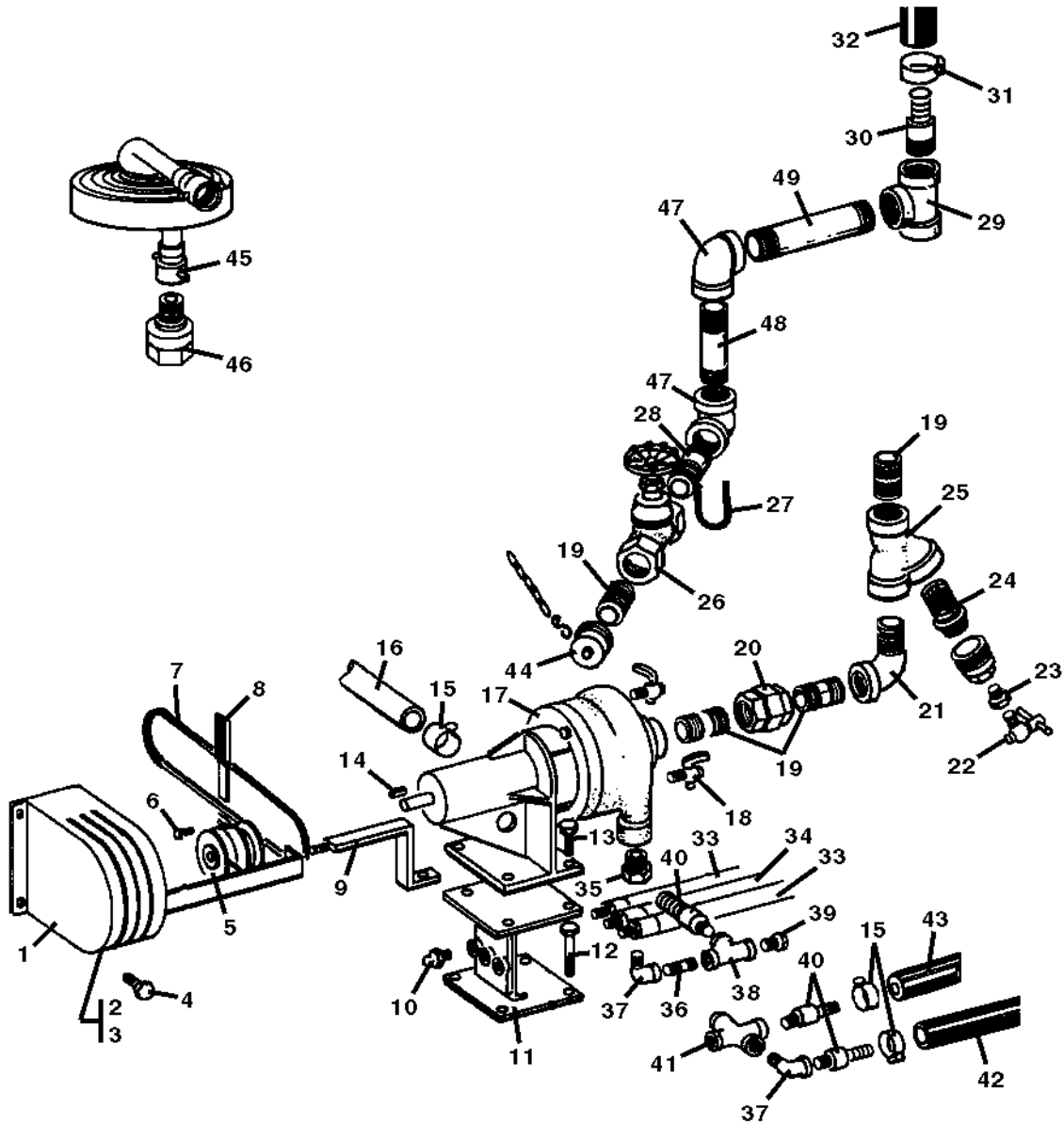
## SECTION 8 - WATER CIRCUITS



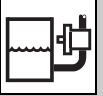


# WATER CIRCUITS

## Jetting Pump Drive Assy

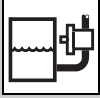


PAM0610



## Jetting Pump Drive Assy

Item	Part Number	Qty.	Description	Rev.
	VA6345-0013A	1	GUARD ASSY, (items 1-3)	
1	VA8347-0032C	1	BELT GUARD	
	VA8347-0028B	1	BELT GUARD, (used on water pump w/electric clutch)	
2	VA4348-0012A	1	GUIDE	
3		8	POP RIVET, 1/8X3/8	
4	VAF0022	2	CAPSCREW, 1/4X3/4	
	VAF7075	2	FLAT WASHER, 1/4"	
	VAF2725	2	LOCKWASHER, 1/4"	
		2	NUT, 1/4"	
5	VA3127-0004A	1	JETTING PUMP CLUTCH	
	VA9486-0083A	1	CLUTCH REPAIR KIT	
6	VAF0006	2	CAPSCREW, #10X5/8	
	VAF7700	2	LOCKWASHER, #10	
	VAF2625	2	NUT, #10	
7	VA2064-0028A	1	V BELT	
	VA2064-0034A	1	V BELT, (for use on water pump w/electric clutch)	
8	VA4352-0031A	1	CLUTCH HANDLE	
	VA2340-0002A	1	HANDLE GRIP	
9	VA8040-0057A	1	TORQUE ARM WELDMENT	
10	VA16170	3	GREASE FITTING	
11	VA16170	1	MOUNTING BRACKET	
12	VAF1126	8	CAPSCREW, 1/2X3-1/2	
	VAF7400	8	LOCKWASHER, 1/2"	
	VAF3250	8	NUT 1/2"	
	VA4054-0562A	2	CLAMP BAR	
13	VAF1035	4	CAPSCREW, 1/2X2	
14	VAE-2519-12B	1	KEY	
15	VA2127-0012A	2	HOSE CLAMP	
16	VA4389-0156A	1	HOSE, 10 & 13 YD	
	VA4389-0192A	1	HOSE, 14 & 16 YD	
17	VA3747-0009A	1	JETTING PUMP	
	VA3747-0016C	1	JETTING PUMP, W/ELECTRIC CLUTCH	
18	VA2738-0023A	2	DRAIN PLUG	
19	VA5208-2401	3	NIPPLE	
20	VA5130-0024	1	UNION	
21	VA@0026	1	STREET ELBOW	
22	VA2738-0007A	1	DRAIN PLUG	
23	VA@0183	1	REDUCER BUSHING	
24	VA9805-0004	1	SCREEN	
25	VA3845-0001A	1	"Y" PIPE STRAINER	
26	VA2910-0015A	1	VALVE GATE	
27	VA2899-0007A	1	U-BOLT	
28	VA5208-2417	1	PIPE NIPPLE	
29	VA@0055	1	PIPE TEE	
30	VA5112-0024	2	NIPPLE	
31	VA2127-0017A	2	HOSE CLAMP	
32	VA4389-0050A	1	HOSE	
33	VA5303-0409	2	GREASE HOSE	
34	VA5303-2012	1	GREASE HOSE	

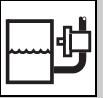


## WATER CIRCUITS

### Jetting Pump Drive Assy (Continued)

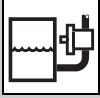
Item	Part Number	Qty.	Description	Rev.
35	VA17389	1	REDUCING BUSHING	
36	VA5205-1201	1	NIPPLE	
37	VA5103-0012	1	STREET ELBOW	
38	VA5100-0012	1	TEE	
39	VA@0102	1	PIPE PLUG	
40	VA5112-0012	2	NIPPLE	
41		1	CROSS, 3/4"	
42	VA5355-1205	1	HOSE ASSY	
43	VA5355-1203	1	HOSE ASSY	
44	VA6104-0003A	1	CAP ASSY	
45	VA3386-6101A	1	FILL HOSE, 12' 6"	
	VA3386-6102A	1	FILL HOSE, 15'	
	VA3386-6103A	1	FILL HOSE, 25'	
	VA3386-6104A	1	FILL HOSE, 50'	
46	VA2272-0004A	1	HYDRANT COUPLING	
47	VA@0025	2	ELBOW	
48	VA5208-2486	1	PIPE NIPPLE	
49	VA5208-2406	1	PIPE NIPPLE	



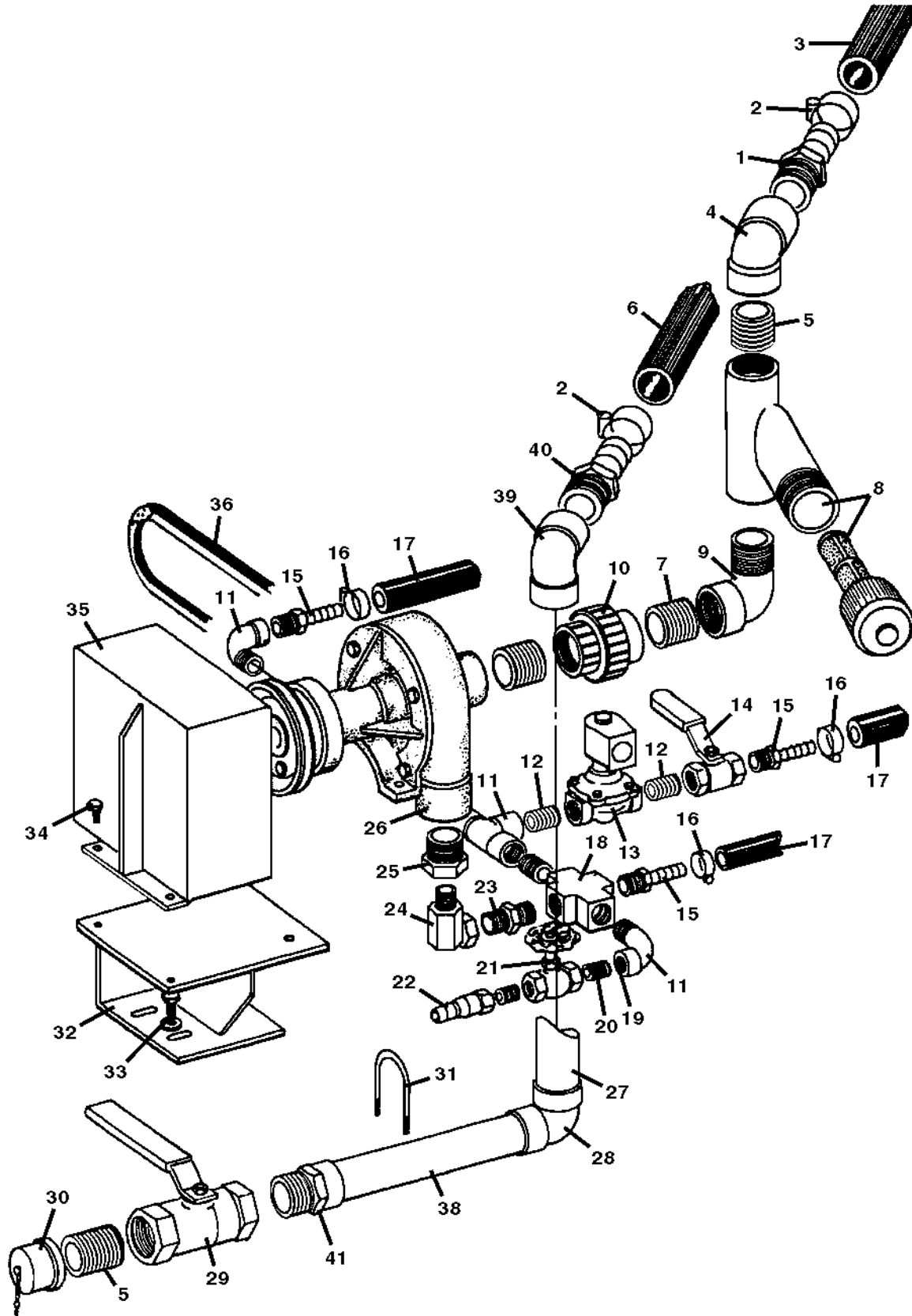


**Jetting Pump Drive Assy (Continued)**

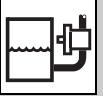
Item	Part Number	Qty.	Description	Rev.



**Jetting Pump Drive Assy**

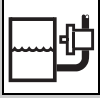


PAM0620



## Jetting Pump Drive Assy

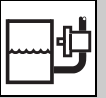
Item	Part Number	Qty.	Description	Rev.
1	VA5742-0024	2	KING NIPPLE	
2	VA2127-0017A	2	HOSE CLAMP	
3	VA4389-0114A	1	HOSE	
4	VA5709-0024	1	ELBOW	
5	VA5208-2401	3	NIPPLE	
6	VA4389-0115A	1	HOSE	
7	VA5219-0008	3	NIPPLE	
8	VA3845-0006A	1	STRAINER ASSY	
	VA9805-0005	1	SCREEN	
9	VA5715-2424	1	ELBOW	
10	VA5741-0024	1	UNION	
11	VA5715-1212	2	ELBOW	
12	VA5216-0011	2	NIPPLE	
13	VA3910-0110B	1	SOLENOID VALVE	
14	VA2910-0013A	1	VALVE BALL	
15	VA5742-0012	2	NIPPLE	
16	VA2127-0012A	2	HOSE CLAMP	
17	VA4389-0108A	2	HOSE	
18	VA5158-0012	1	CROSS	
19	VA5729-1208	1	REDUCER BUSHING	
20	VA5221-0001	2	NIPPLE	
21	VA2910-0119A	1	VALVE GATE	
22	VA2138-0055A	1	COUPLING	
23	VA5409-1212	1	NIPPLE	
24	VA5401-1212	1	SWIVEL UNION	
25	VA17389	1	REDUCER BUSHING	
26	VA3747-0016C	1	WATER PUMP	
	VA3747-0020C	1	WATER PUMP	
27	VA5244-0013	1	PIPE NIPPLE	
28	VA5711-2424	1	ELBOW	
29	VA2910-0120A	1	BALL VALVE	
30	VA6104-0003A	1	CAP ASSY	
31	VA2899-0016A	2	PIPE U-BOLT, 3/8X2	
	VAF7250	4	FLAT WASHER, 3/8"	
	VAF7875	4	LOCKWASHER, 3/8"	
	VAF2975	4	NUT, 3/8"	
32	VA4056-0005B	1	WATER PUMP BASE	
33	VAF0325	4	CAPSCREW, 3/8X1-1/4	
	VAF7250	4	FLAT WASHER	
	VAF7875	4	LOCKWASHER,	
	VAF2975	4	NUT, 3/8"	
34	VAF0022	2	CAPSCREW, 1/4X3/4	
	VAF7750	2	LOCKWASHER	
	VAF2740	2	NUT, 1/4"	
35	VA8347-0028B	1	BELT GUARD	
36	VA2064-0038A	1	BELT	
37	VA3386-6101A	1	FILL HOSE, 1-1/2X12' 6"	
	VA3386-6102A	1	FILL HOSE, 1-1/2X15'	
	VA3386-6103A	1	FILL HOSE, 1-1/2X25'	



## WATER CIRCUITS

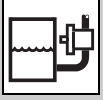
### Jetting Pump Drive Assy (Continued)

Item	Part Number	Qty.	Description	Rev.
	VA3386-6104A	1	FILL HOSE, 1-1/2X50'	
38	VA5244-0006	1	NIPPLE	
39	VA5724-0024	1	ELBOW	
40	VA5743-0024	1	ADAPTER	
41	VA5731-0024	1	ADAPTER	



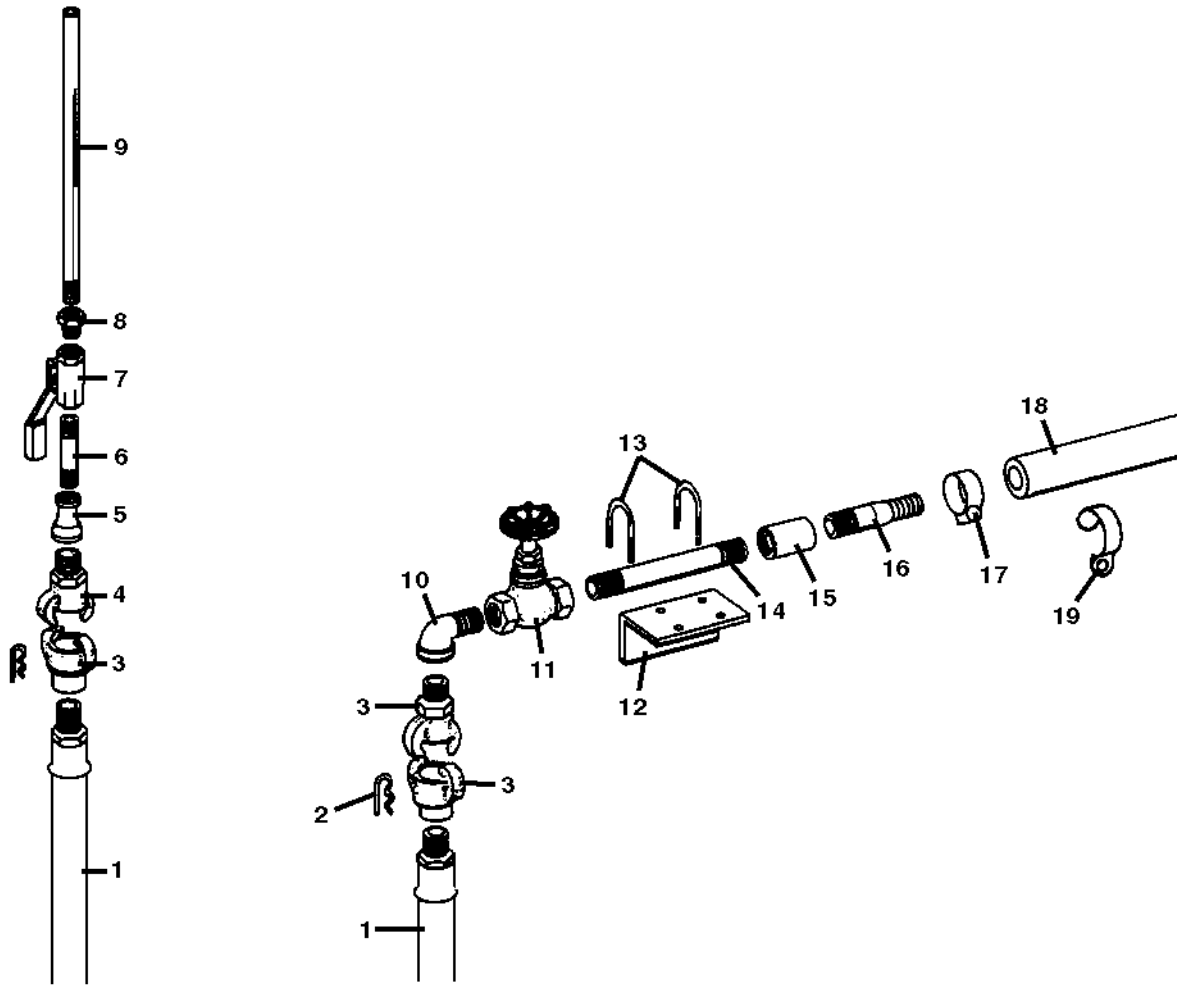
**Jetting Pump Drive Assy (Continued)**

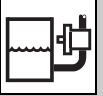
Item	Part Number	Qty.	Description	Rev.



# WATER CIRCUITS

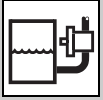
## Rear Jetting Station & Gun





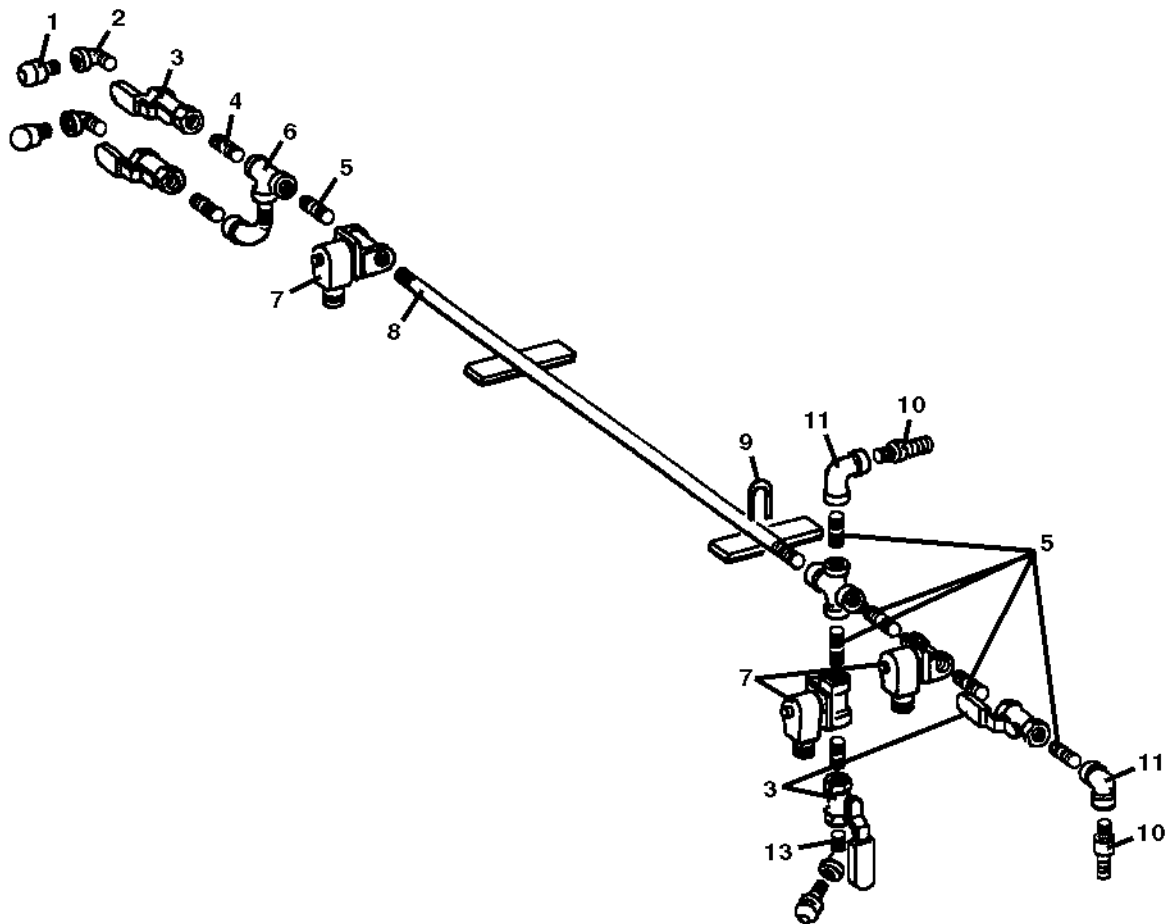
## Rear Jetting Station & Gun

Item	Part Number	Qty.	Description	Rev.
1	VA5356-1215	1	HOSE	
2	VA2352-0006A	4	HAIR PIN	
3	VA3141-0007A	2	QUICK COUPLING, 3/4"	
	VA6635-0050A	1	NOZZLE ASSY, (items 4-9)	
4	VA3141-0005A	2	QUICK COUPLING, 3/4"	
5	VA2724-0006A	1	REDUCER COUPLING	
6	VA2724-0004A	1	NIPPLE	
7	VA2910-0097A	1	VALVE BALL	
8	VA2724-0003A	1	BUSHING	
9	VA2724-0002A	1	NIPPLE	
10		1	STREET ELBOW, 3/4"	
11	VA2910-0014A	1	VALVE GATE	
12	VA4034-0142A	1	BRACKET	
13	VA2899-0001A	2	"U" BOLT	
14	VA21368	1	NIPPLE	
15	VA5108-0012	1	PIPE COUPLING	
16	VA5112-0012	1	KING NIPPLE	
17	VA2127-0012A	1	HOSE CLAMP	
18	VA4389-0156A	1	HOSE, 10 & 13 YD	
	VA4389-0192A	1	HOSE, 14 & 16 YD	
19	VA2130-0019A	5	CLIP, 10 & 13 YD	
		7	CLIP, 14 & 16 YD	

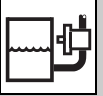


# WATER CIRCUITS

## Sweeper Water System

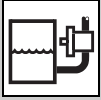






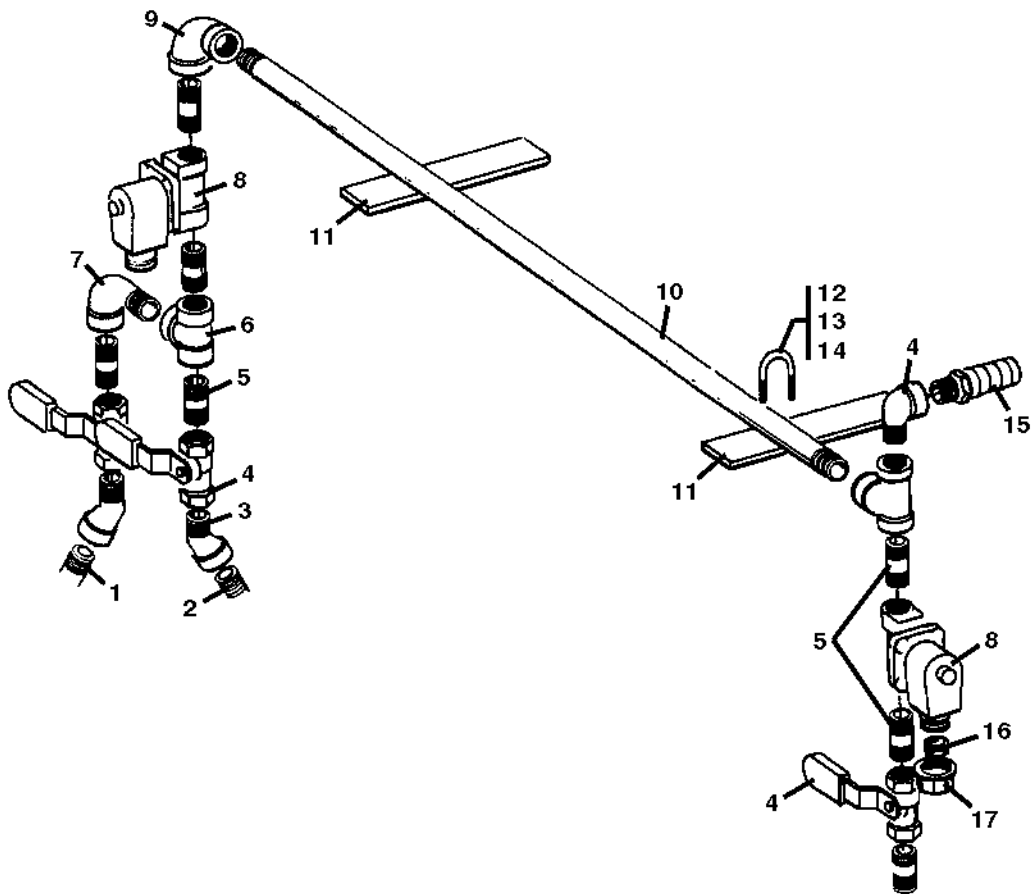
## Sweeper Water System

Item	Part Number	Qty.	Description	Rev.
1	VA3141-0005A	3	COUPLING	
2	VA5103-0012	3	ELBOW	
3	VA2910-0013A	4	VALVE BALL	
4	VA21368	1	NIPPLE	
5	VA5205-1202	8	NIPPLE	
6	VA5100-0012	1	TEE	
7	VA3910-0110B	3	WATER SOLENOID VALVE	
8	VA5205-1225	2	NIPPLE	
9	VA2899-0001A	1	PIPE U-BOLT, 1/4X3/4	
	VAF7125	4	LOCKWASHER, 1/4"	
	VAF2725	4	NUT, 1/4"	
10	VA5112-0012	2	KING NIPPLE	
11	VA@0156	2	ELBOW	
12	VA5106-0012	1	CROSS, (used w/transfer broom units)	
	VA5100-0012	1	TEE, (used on units wo/transfer broom)	
13	VA@0181	1	STREET ELBOW	

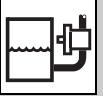


# WATER CIRCUITS

## Sweeper Water System

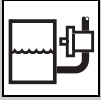


PAM0700



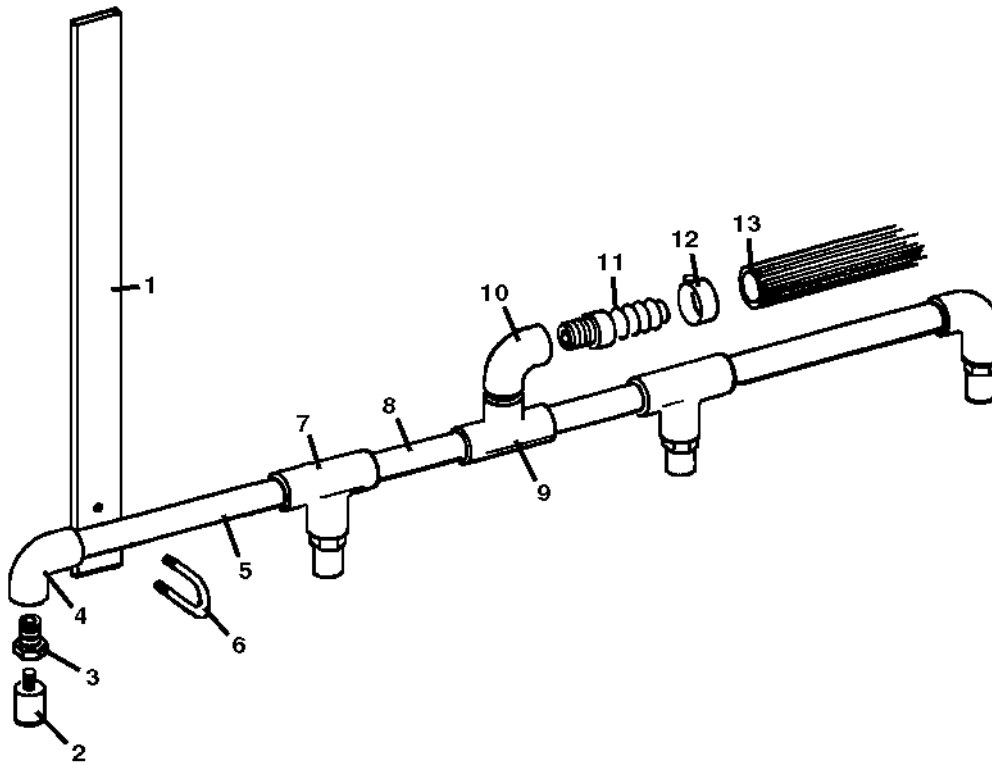
## Sweeper Water System

Item	Part Number	Qty.	Description	Rev.
1	VA3386-3108A	1	HOSE	
2	VA3386-3104A	1	HOSE	
3		2	ELBOW, 45 DEGREES	
4	VA@0181	3	VALVE BALL, 3/4"	
5		6	CLOSE NIPPLE, 3/4"	
6		2	PIPE TEE, 3/4"	
7		2	STREET ELBOW, 3/4"	
8	VA3910-0110B	2	SOLENOID VALVE	
9		1	ELBOW, 3/4"	
10	VA5205-1210	1	NIPPLE	
11	VA4090-0353A	2	WATER PIPE SUPPORT BRACKET	
12	VA2899-0001A	2	U-BOLT	
13	VA5112-0012	1	NIPPLE	
14	VA2139-0004A	2	CORD GRIP	
15	VA2647-0011A	2	NUT CORD GRIP	

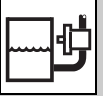


# WATER CIRCUITS

## Sweeper Nozzle - Transfer Broom

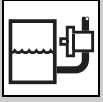


PAM0690

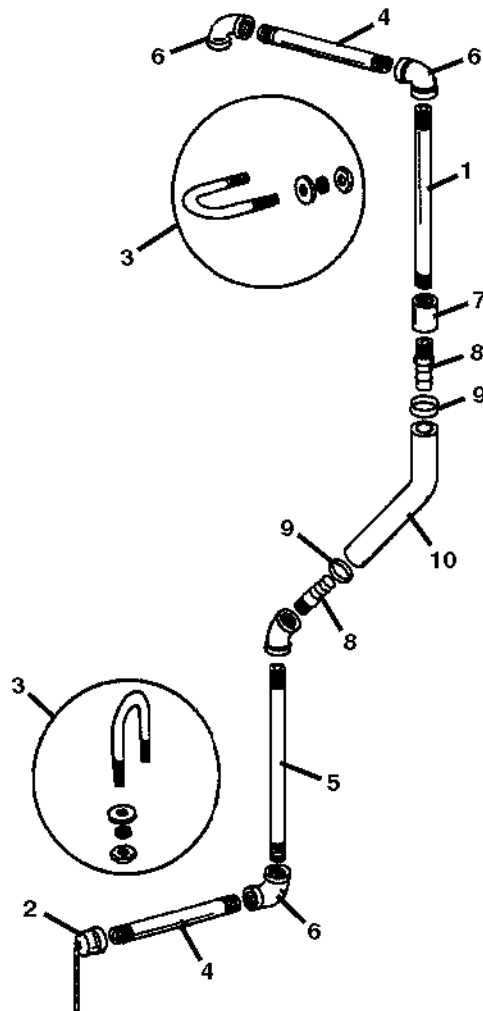


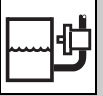
**Sweeper Nozzle - Transfer Broom**

Item	Part Number	Qty.	Description	Rev.
1	VA4090-0468A	2	MOUNTING BRACKET	
	VA6635-0059A	1	SPRAY NOZZLE ASSY, (items 2-11)	
2	VA2635-0017A	4	NOZZLE	
3	VA2085-0002A	4	NOZZLE BODY	
4	VA5717-1208	2	ELBOW	
5	VA5241-0009	2	PVC PIPE	
6	VA2899-0001A	2	U-BOLT	
	VAF7075	4	LOCKWASHER, 1/4"	
	VAF2725	4	NUT, 1/4"	
7	VA5722-1208	2	TEE	
8	VA5241-0037	2	PVC PIPE	
9	VA5719-1212	1	TEE	
10	VA5715-1212	1	ELBOW	
11	VA5112-0012	1	KING NIPPLE	
12	VA2127-0012A	2	HOSE CLAMP	
13	VA4389-0058A	1	WATER HOSE	
	VA2015-0002	1	PVC CEMENT	



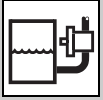
**Water Tank Fill Assy**





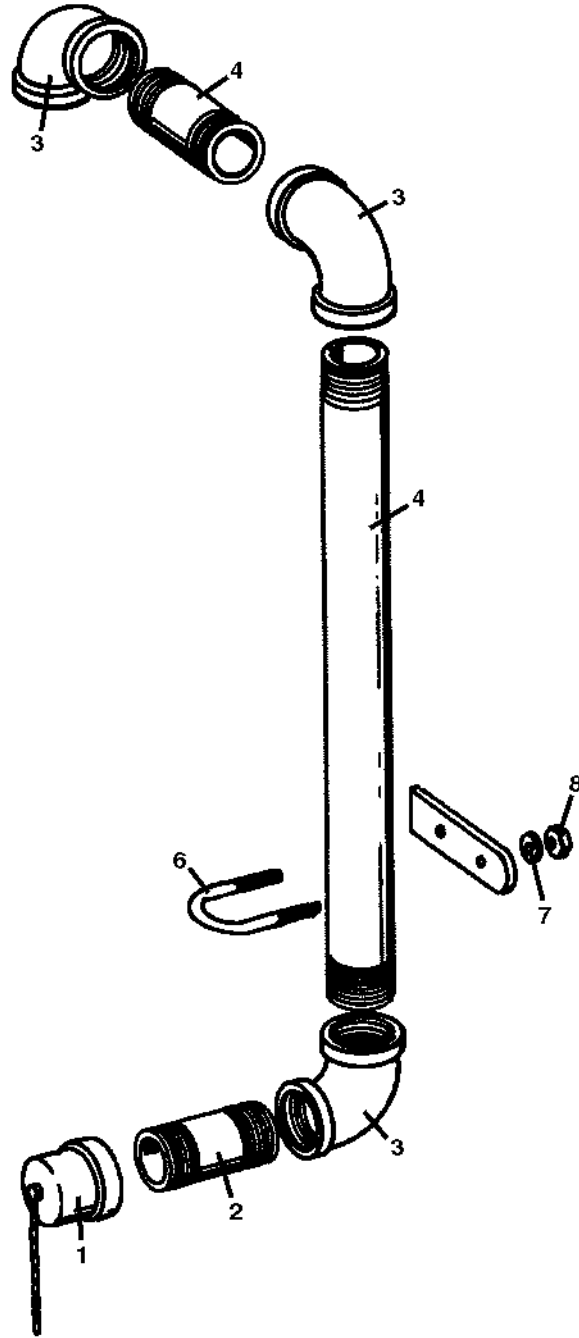
## Water Tank Fill Assy

Item	Part Number	Qty.	Description	Rev.
	VA6725-0201C		PIPING ASSY, 300 GAL TANK, (all items)	
	VA6725-0202C		PIPING ASSY, 350 GAL TANK, (all items)	
	VA6725-0203C		PIPING ASSY, 420 GAL TANK, (all items)	
1	VA8724-0031A	1	TANK FILL PIPE, 300 GAL TANK	
	VA8724-0032A	1	TANK FILL PIPE, 350 GAL TANK	
	VA8724-0035A	1	TANK FILL PIPE, 420 GAL TANK	
2	VA6104-0003A	1	CAP ASSY	
3	VA2899-0007A	2	U-BOLT, 5/16-18X1-1/2	
	VAF7195	8	FLAT WASHER, 5/16"	
	VAF7775	8	LOCKWASHER, 5/16"	
	VAF2850	8	HEX NUT, 5/16-18	
4	VA5208-2420	1	PIPE, 1-1/2X10	
5	VA5208-2492	1	PIPE, 1-1/2X22	
6	VA@0025	3	ELBOW, 90 DEGREES	
7	VA@0072	1	COUPLING, 1-1/2"	
8	VA5112-0024	2	HOSE NIPPLE, 1-1/2"	
9	VA2127-0017A	2	HOSE CLAMP, 1-1/2"	
10	VA4389-0126A	1	HOSE	



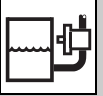
# WATER CIRCUITS

## Water Tank Fill Piping Assy - Front Boom



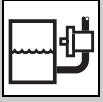
PAM1110





**Water Tank Fill Piping Assy - Front Boom**

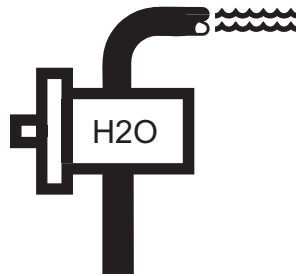
Item	Part Number	Qty.	Description	Rev.
	VA6725-0167C		WATER TANK FILL PIPING ASSY, (all items)	
1	VA6104-0002A	1	CAP ASSY	
2	VA5214-4018	1	NIPPLE	
3	VA5102-0040	3	ELBOW	
4	VA5214-4038	1	NIPPLE	
5	VA5214-4004	1	NIPPLE	
6	VA2899-0010A	2	U-BOLT	
7	VAF7250	4	FLAT WASHER	
8	VAF3075		HEX LOCKNUT	



## WATER CIRCUITS

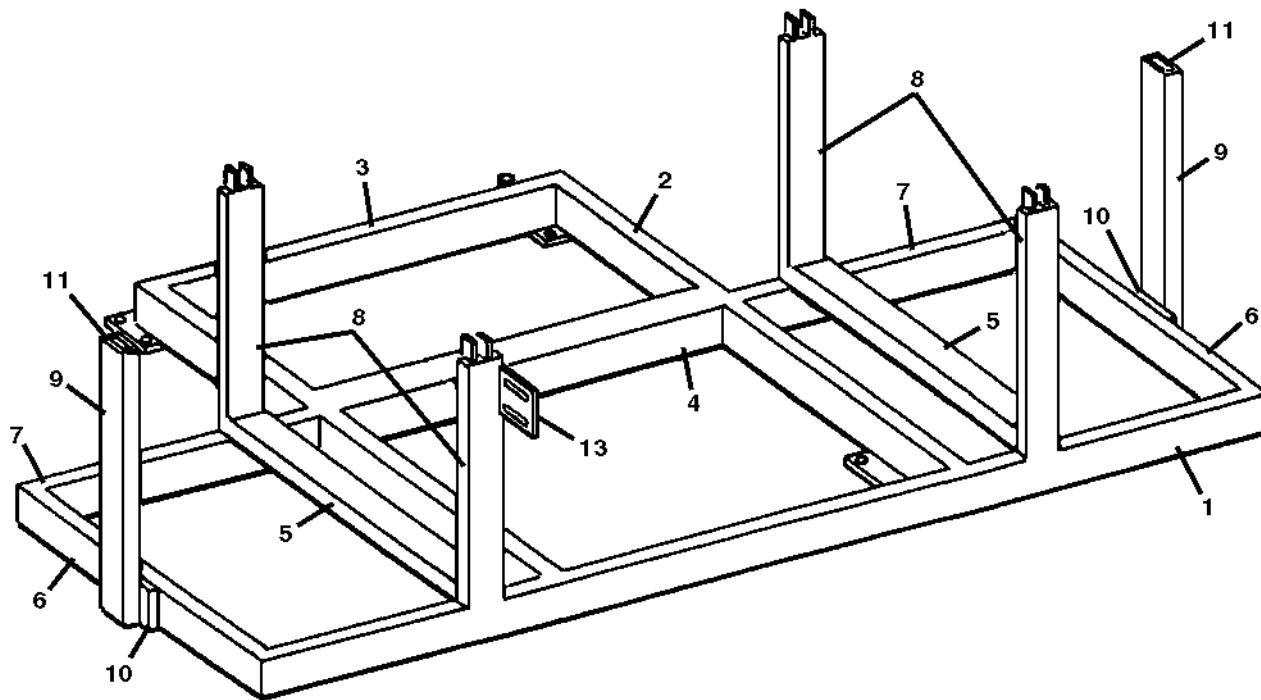
**This Page Intentionally Left Blank**

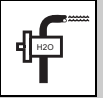
# SECTION 9 - WATER COMPONENTS





## Frame - Water Tank & Silencer





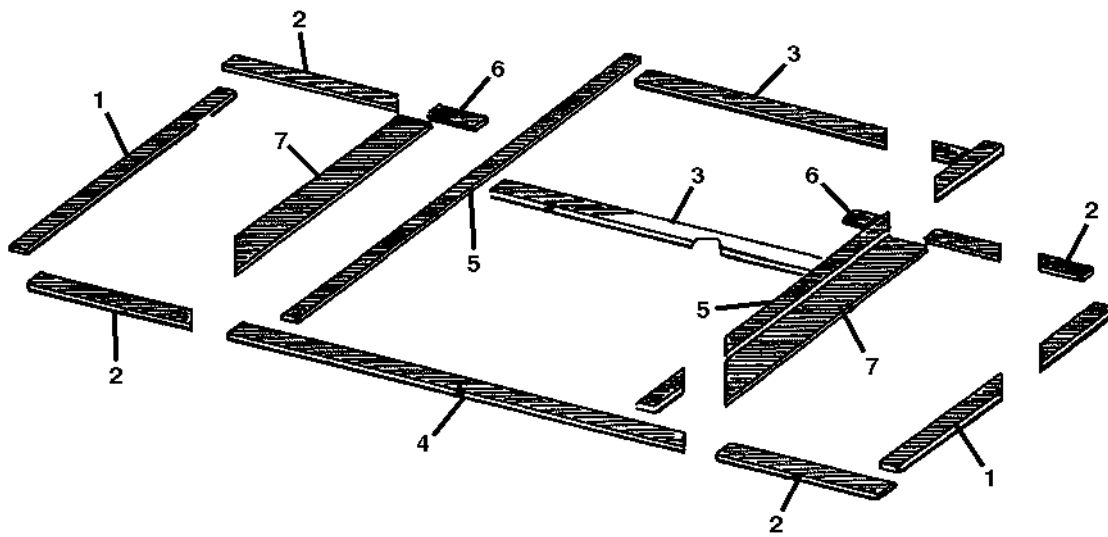
## Frame - Water Tank &amp; Silencer

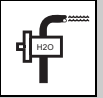
Item	Part Number	Qty.	Description	Rev.
1	VA4895-1058A	1	TANK FRAME TUBE	
2	VA4895-1059A	2	TANK FRAME TUBE	
3	VA4895-1060A	1	TANK FRAME TUBE	
4	VA4032-0903A	1	SILENCER ANGLE	
5	VA4743-0003A	2	TANK FRAME POST	
6	VA4895-1061A	2	TANK FRAME TUBE	
7	VA4895-1062A	2	TANK FRAME TUBE	
8	VA4743-0001A	4	TANK FRAME POST	
9	VA4743-0002A	2	TANK FRAME POST	
10	VA4727-0751A	2	SPACER PLATE	
11	VA4727-0735A	12	END PLATE	
12	VA4205-0034A	8	TANK STRAP EAR	
13	VA4040-0014A	1	PIPE SUPPORT ARM	



## Mounting Pad Assy

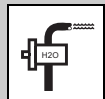
---





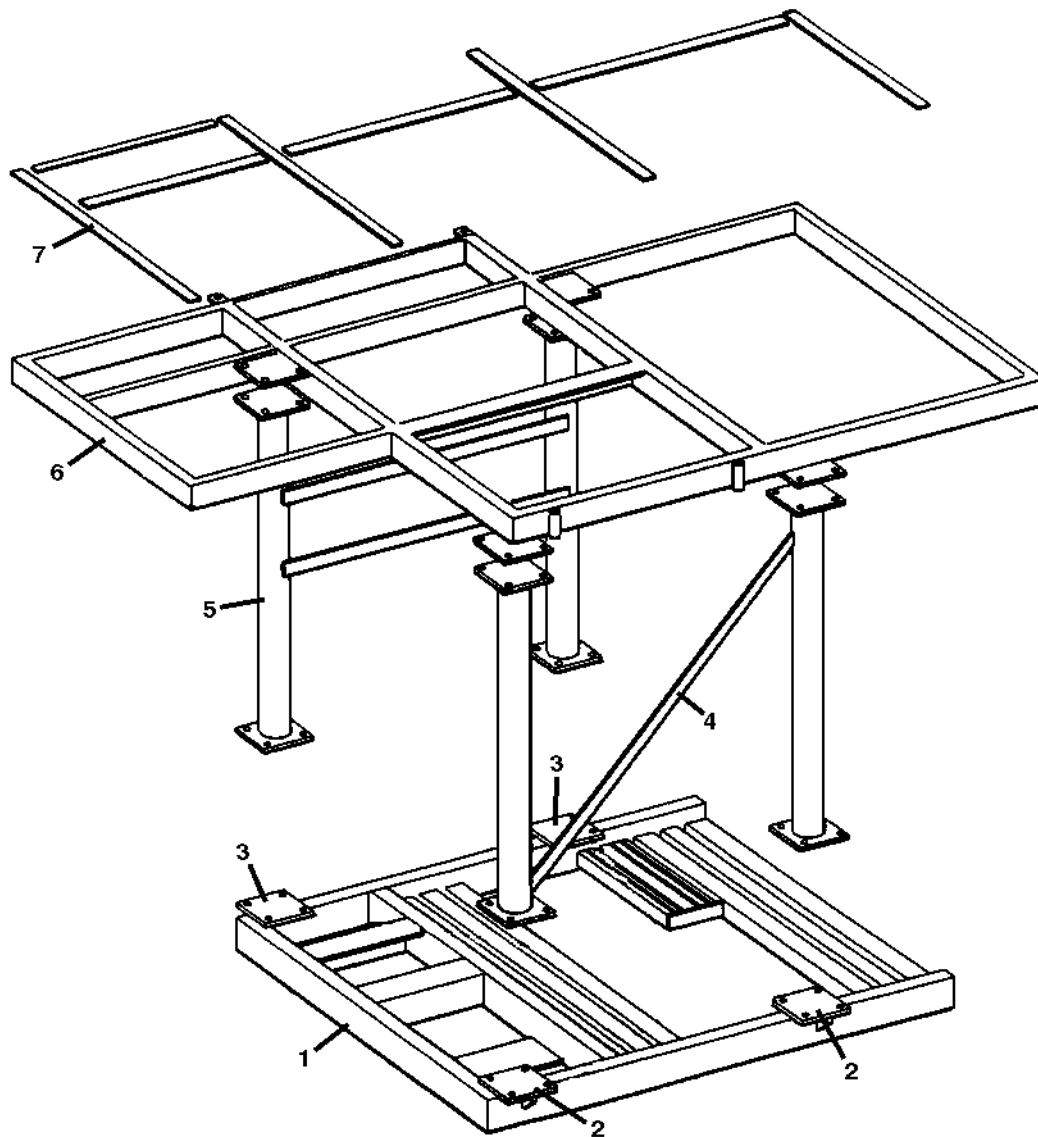
## Mounting Pad Assy

Item	Part Number	Qty.	Description	Rev.
	VA6704-0020C		MOUNTING PAD ASSY, (all items)	
1	VA4702-0050A	2	MOUNTING PAD, 1.50X.50X35	
2	VA4702-0082A	4	MOUNTING PAD, 1.50X.50X18.50	
3	VA4702-0083A	2	MOUNTING PAD, 1.50X.50X34	
4	VA4702-0084A	1	MOUNTING PAD, 1.50X.50X43.50	
5	VA4702-0085A	2	MOUNTING PAD, 1.50X.50X57.50	
6	VA4702-0086A	2	MOUNTING PAD, 3X.50X3	
7	VA4702-0020C	2	MOUNTING PAD, 3X.50X31.50	
	VA1010-0003A	AR	ADHESIVE	



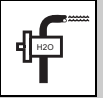
# WATER COMPONENTS

## Engine & Water Tank Mount



PAM0080





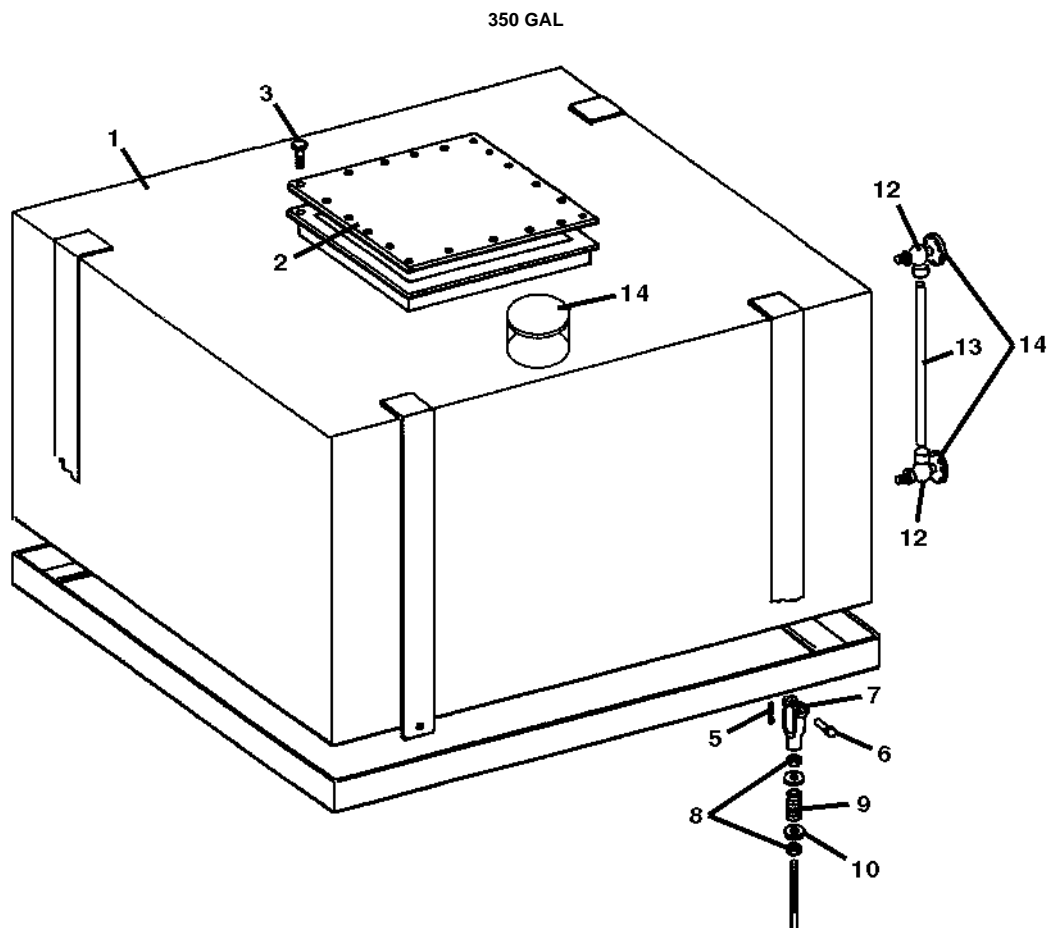
## Engine & Water Tank Mount

Item	Part Number	Qty.	Description	Rev.
1	VA8290-0113D	1	BLOWER & ENGINE SUBFRAME, (items 2 & 3)	
2	VA4702-0013A	2	MOUNTING PAD	
3	VA4702-0014A	2	MOUNTING PAD w/TAPPED HOLE	
4	VA4054-0567A	1	STABILIZER BAR	
5	VA8512-0003B	4	SUPPORT LEGS, 10 & 14 YD	
	VA8512-0006B	4	SUPPORT LEGS, 13 & 16 YD	
6	VA8290-0161D	1	WATER TANK SUPPORT FRAME, 280 & 420 GAL	
	VA8290-0116D	1	WATER TANK SUPPORT FRAME, 350 GAL	
7	VA6704-0001C	1	TANK MOUNTING PAD ASSY, 280 & 420 GAL	
	VA6704-0006B	1	TANK MOUNTING PAD ASSY, 350 GAL	

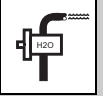


# WATER COMPONENTS

## Water Tank Assy



# WATER COMPONENTS



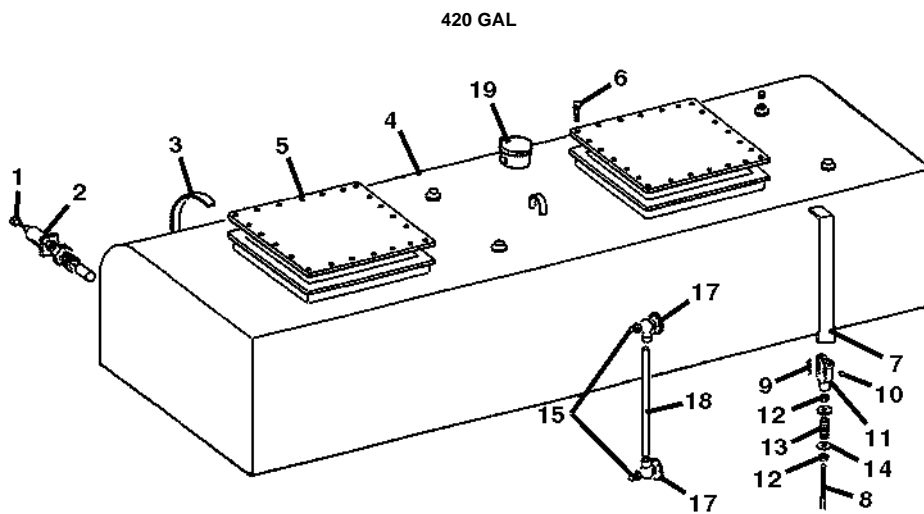
## Water Tank Assy

Item	Part Number	Qty.	Description	Rev.
1	VA6854-0400D	1	TANK ASSY, HRMS, (items 1-12),	
	VA6854-0401D	1	TANK ASSY, CORTEN, (items 1-12)	
	VA6854-0402D	1	TANK ASSY, STAINLESS STEEL, (items 1-12)	
	VA8852-0082D	1	TANK WELDMENT, HRMS	
	VA8852-0083D	1	TANK WELDMENT, CORTEN	
	VA8852-0084D	1	TANK WELDMENT, STAINLESS STEEL	
2	VA4139-0092A	1	INSPECTION COVER	
3	VAF0270	14	CAPSCREW, 3/8X7/8	
	VAF7875	14	LOCKWASHER, 3/8"	
	VAF2975	14	NUT, 3/8"	
4	VA8848-0033A	4	HOLD DOWN STRAP	
5	VA2790-0012A	4	ROLL PIN, 5/32X1	
6	VA2722-0415A	4	CLEVIS PIN, 1/2"	
7	VA8990-0002A	4	YOKE ASSY	
8	VAF3250	8	NUT, 1/2"	
9	VA2842-0022A	4	SPRING	
10	VAF7350	2	FLAT WASHER, 1/2"	
11	VA6343-0014A	1	SIGHT GLASS ASSY	
12	VA2347-0015A	2	VALVE GATE	
13	VA4892-0001A	1	SIGHT TUBE	
14	VA5109-0064	1	CAP, 4"	



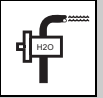
# WATER COMPONENTS

## Water Tank Assy



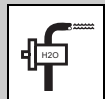
PAM0060

# WATER COMPONENTS



## Water Tank Assy

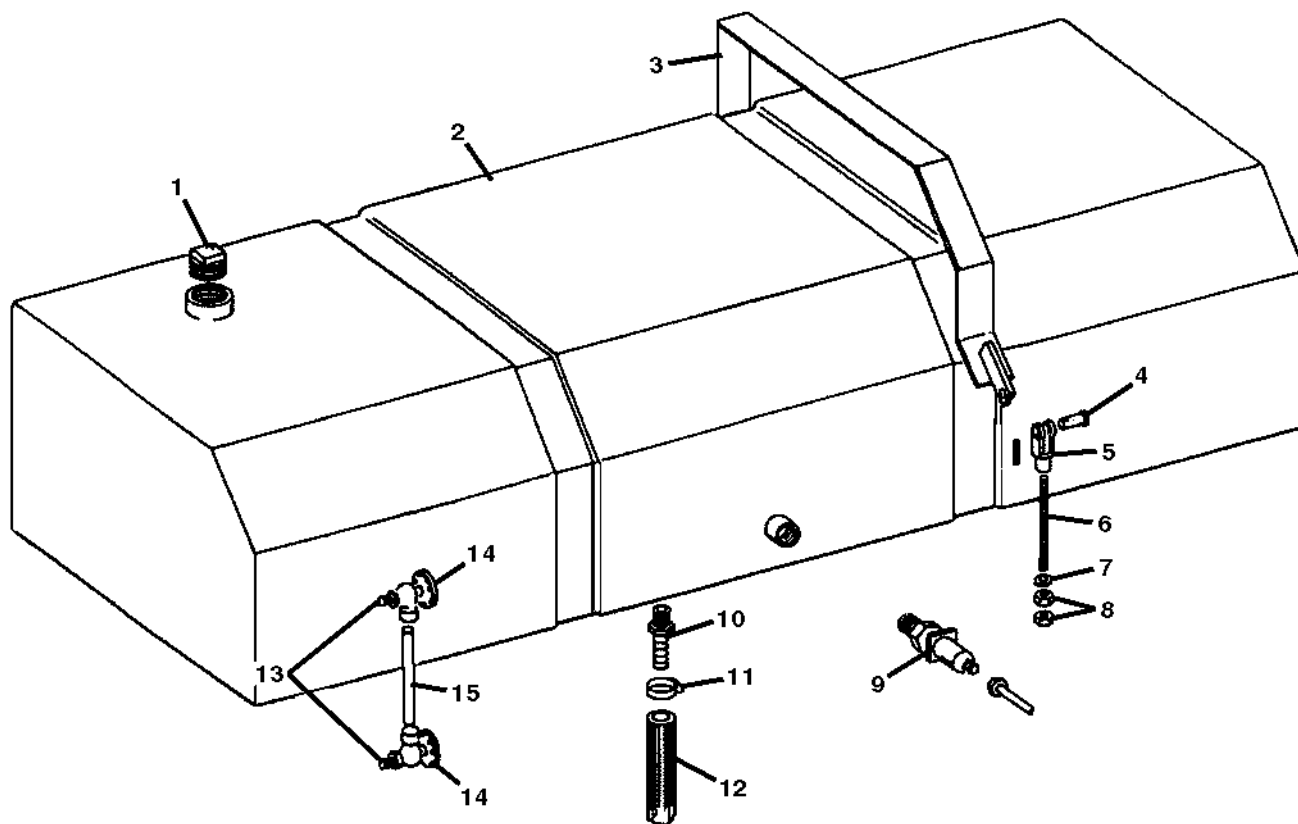
Item	Part Number	Qty.	Description	Rev.
	VA6854-0300D	1	TANK ASSY, 280 GAL, HRMS, (items 1-14)	
	VA6854-0301D	1	TANK ASSY, 280 GAL, CORTEN, (items 1-14)	
	VA6854-0302D	1	TANK ASSY, 280 GAL, STAINLESS STEEL, (items 1-14)	
	VA6854-0440D	1	TANK ASSY, 420 GAL, HRMS, (items 1-14)	
	VA6854-0441D	1	TANK ASSY, 420 GAL, CORTEN, (items 1-14)	
	VA6854-0442D	1	TANK ASSY, 420 GAL, STAINLESS STEEL, (items 1-14)	
1	VA6360-0031B	1	WIRE HARNESS	
2	VA6425-0001A	1	WATER LEVEL SWITCH	
3	VA8848-0038A	2	FRONT HOLD DOWN STRAP	
4	VA8852-0076D	1	TANK WELDMENT, 280 GAL, HRMS	
	VA8852-0077D	1	TANK, WELDMENT, 280 GAL, CORTEN	
	VA8852-0078D	1	TANK WELDMENT, 280 GAL, STAINLESS STEEL	
	VA8852-0085D	1	TANK WELDMENT, 420 GAL, HRMS	
	VA8852-0086D	1	TANK WELDMENT, 420 GAL, CORTEN	
	VA8852-0087D	1	TANK WELDMENT, 420 GAL, STAINLESS STEEL	
5	VA4139-0092A	2	INSPECTION COVER	
6	VAF0270	28	CAPSCREW, 3/8X7/8	
	VAF7875	28	LOCKWASHER, 3/8"	
	VAF2975	28	NUT, 3/8"	
7	VA8848-0030A	2	REAR HOLD DOWN STRAP, 280 GAL	
	VA8848-0032A	2	REAR HOLD DOWN STRAP, 420 GAL	
8	VA8841-0002A	2	STABILIZER	
9	VA2790-0012A	4	ROLL PIN, 5/32X1	
10	VA2722-0415A	4	CLEVIS PIN, 1/2"	
11	VA8990-0002A	4	YOKE	
12	VAF2350	4	NUT, 1/2"	
13	VA2842-0022A	4	SPRING	
14	VAF7350	4	WASHER, 1/2"	
15	VA6343-0015A	1	SIGHT GLASS ASSY, 280 GAL	
16	VA8347-0046B	2	SIGHT GLASS GUARD	
17	VA2347-0015A	2	VALVE GATE	
18	VA4892-0005A	1	SIGHT TUBE, 280 GAL	
	VA4892-0006A	1	SIGHT TUBE, 420 GAL	
19	VA5109-0064	1	CAP, 4"	



# WATER COMPONENTS

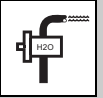
## Water Tank Assy

280 GAL POLY



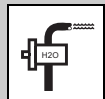
PAM0070

# WATER COMPONENTS



## Water Tank Assy

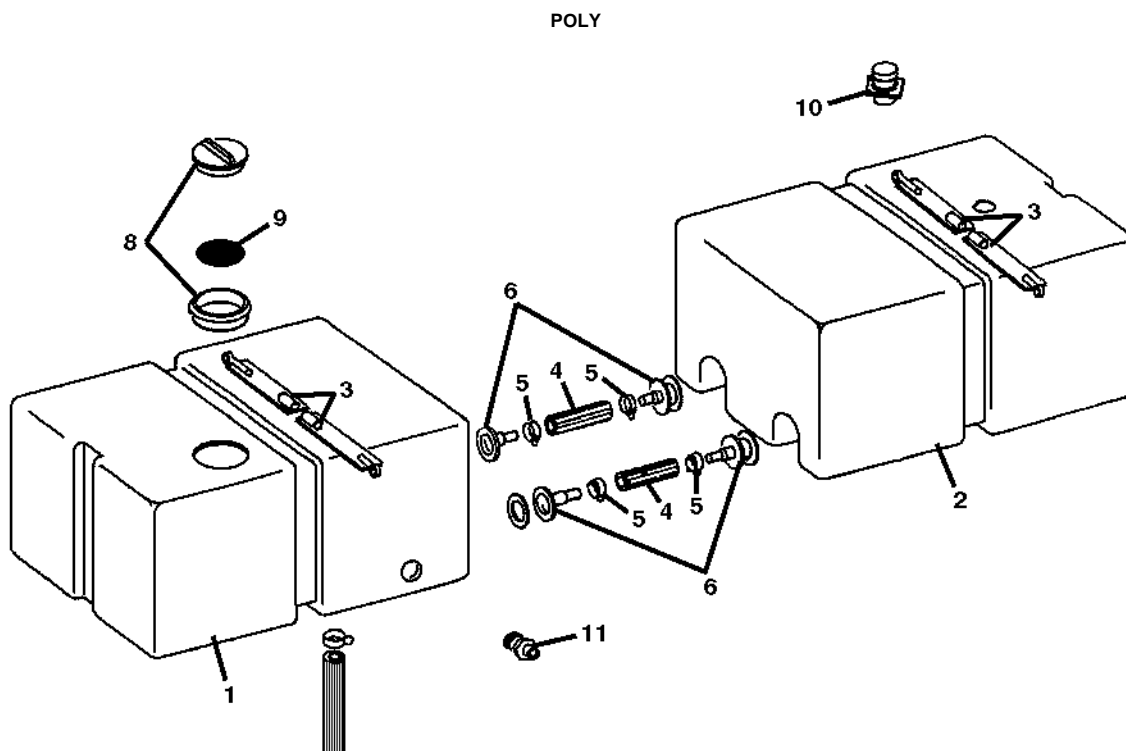
Item	Part Number	Qty.	Description	Rev.
1	VA5735-0048	1	PLUG, 3"	
2	VA3851-0002D	1	WATER TANK, POLY, BLACK	
	VA3851-0007D	2	WATER TANK, POLY, WHITE	
3	VA8848-0042B	2	HOLD DOWN STRAP	
	VA4148-0001A	2	NEOPRENE CUSHION	
4	VA2722-0415A	4	CLEVIS PIN, 1/2"	
	VA2790-0012A	4	ROLL PIN, 1/64X15/16	
5	VA8990-0002A	4	HOLD DOWN YOKE WELDMENT	
6	VA2842-0022A	4	DIE SPRING	
7	VAF7350	4	FLAT WASHER, 1/2"	
8	VAF3250	8	NUT, 1/2"	
9	VA2848-0125A	1	WATER LEVEL SWITCH	
10	VA5742-0024	1	KING NIPPLE	
11	VA2127-0017A	1	HOSE CLAMP	
12	VA4389-0050A	1	HOSE	
13	VA6343-0015A	1	SIGHT GAUGE ASSY, 280 GAL	
14	VA2347-0015A	2	VALVE GATE	
15	VA4892-0003A	1	SIGHT GAUGE TUBE	
16	VA4345-0037A	2	GUARD ROD, (not shown)	



# WATER COMPONENTS

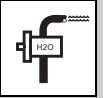
S/N 3791 & After

## Water Tank Assy



PAM0090





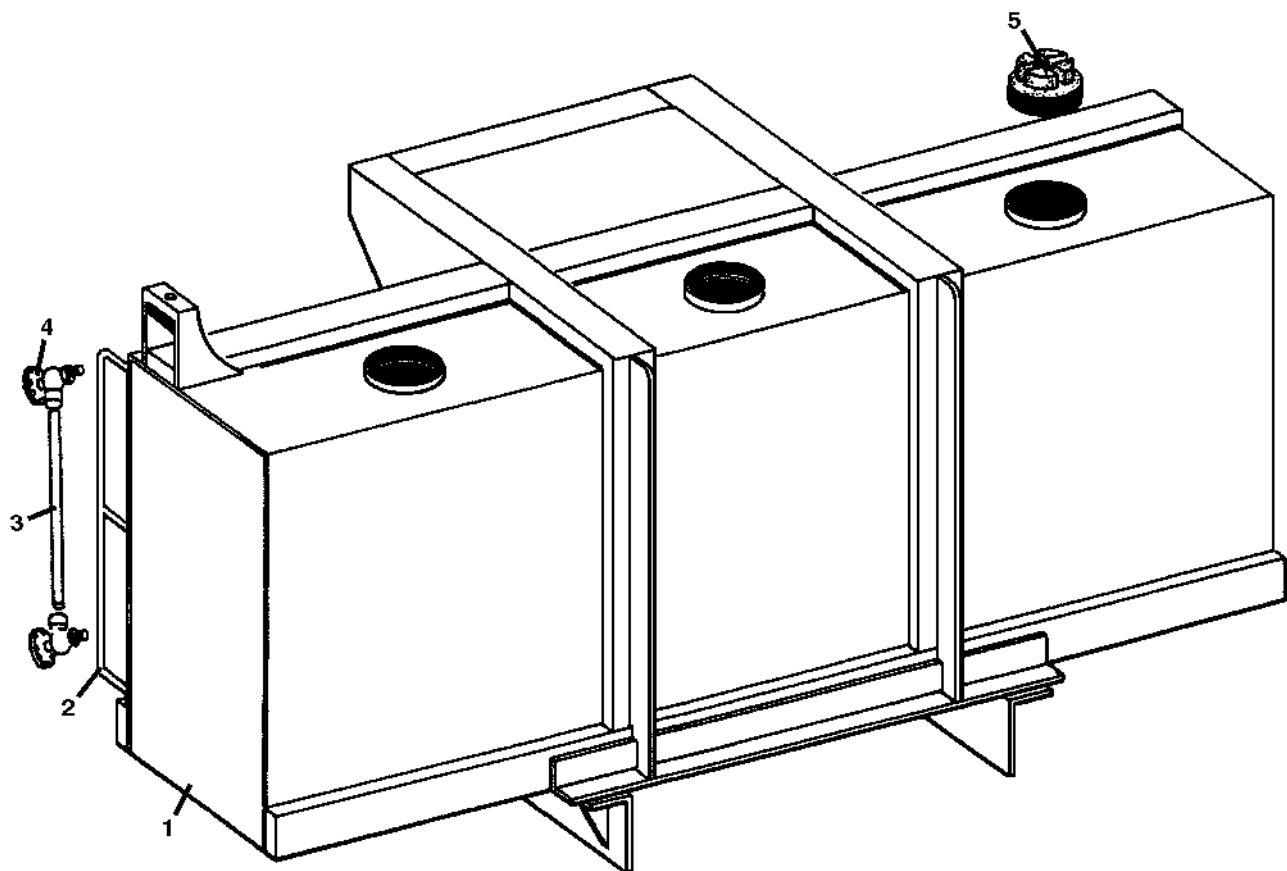
## Water Tank Assy

Item	Part Number	Qty.	Description	Rev.
	VA6854-0450C		TANK ASSY, 300 GAL POLY, (items 1-10)	
	VA6854-0475C		TANK ASSY, 350 GAL POLY, (items 1-10)	
	VA6854-0480C		TANK ASSY, 420 GAL POLY, (items 1-10)	
1	VA6854-0150D	1	R.H. WATER TANK, 150 GAL, POLY	
	VA6854-0175D	1	R.H. WATER TANK, 175 GAL, POLY	
	VA6854-0210D	1	R.H. WATER TANK, 210 GAL, POLY	
2	VA6854-0151D	1	L.H. WATER TANK, 150 GAL, POLY	
	VA6854-0176D	1	L.H. WATER TANK, 175 GAL, POLY	
	VA6854-0211D	1	L.H. WATER TANK, 210 GAL, POLY	
3	VA8848-0047A	4	HOLD-DOWN STRAP, 150 GAL TANK	
	VA8848-0048A	4	HOLD-DOWN STRAP, 175 GAL TANK	
	VA8848-0049A	4	HOLD-DOWN STRAP, 210 GAL TANK	
	VAF3350	6	NUT, 1/2"	
	VAF7975	6	LOCKWASHER, 1/2"	
	VAF1010	4	CAPSCREW, 1/2-13X1-3/4	
4	VA4389-0059A	2	TANK HOSE	
5	VA2127-0017A	4	HOSE CLAMP	
6	VA8009-0068A	4	FLANGED ADAPTER HOSE	
	VAF0019	12	CAPSCREW, 1/4-20X5/8	
	VAF7750	12	LOCKWASHER, 1/4"	
7	VA2302-0034A	4	FLANGED ADAPTER GASKET	
8	VA2104-0042A	1	INSERT CAP ASSY	
	VAF0002	6	CAPSCREW, 8/32X1/2	
	VAF7690	6	LOCKWASHER, 8/32"	
9	VA4807-0023A	1	SCREEN	
10	VA8913-0001B	1	POLY TANK VENT	
	VAF0002	4	CAPSCREW, 8/32X1/2	
	VAF7690	4	LOCKWASHER, 8/32"	
11	VA2848-0125A	1	WATER LEVEL SWITCH	



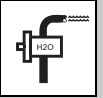
## WATER COMPONENTS

### 300 GAL Water Tank Assy - Font Boom



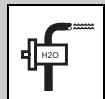
PAM1100

# WATER COMPONENTS



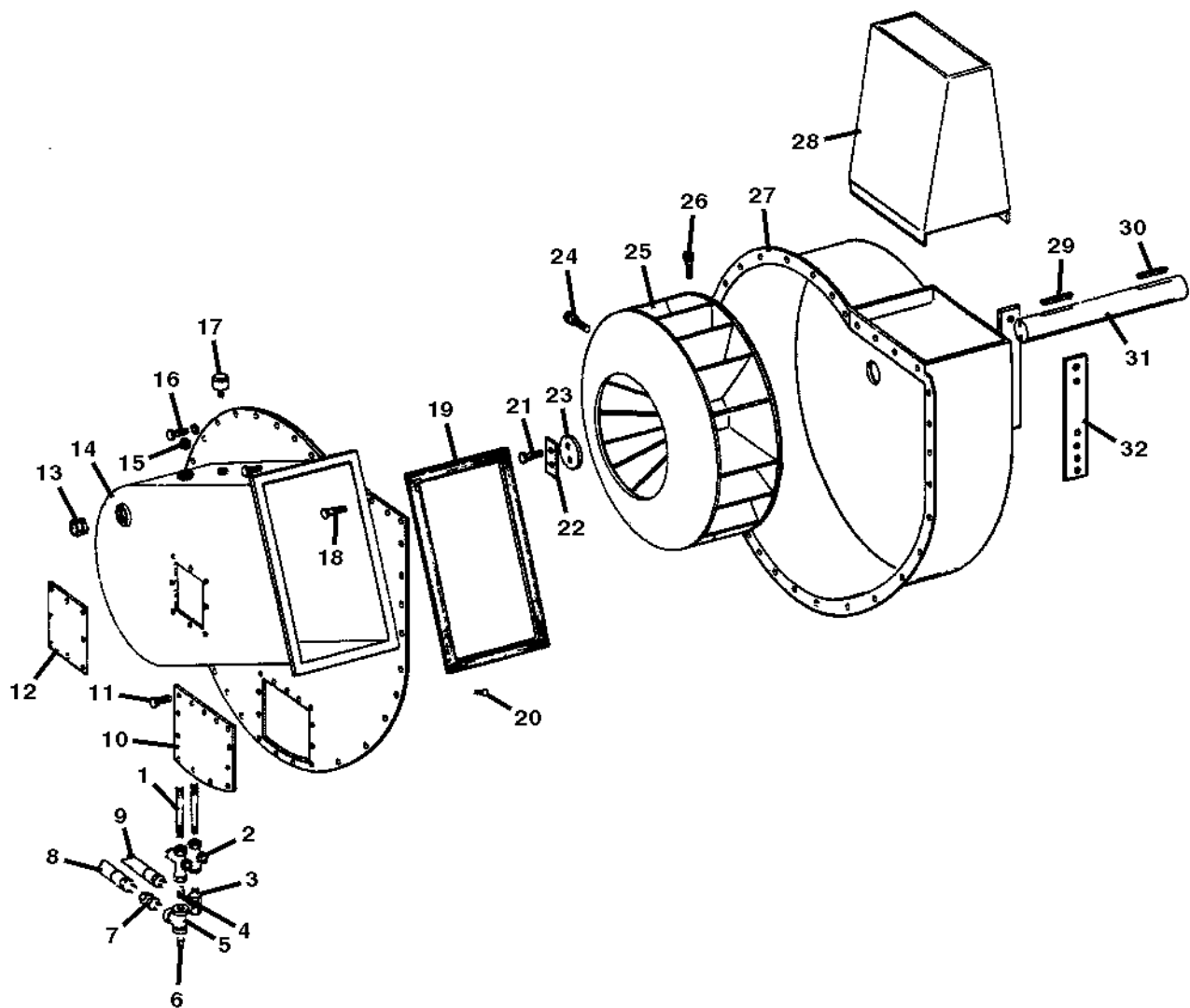
## 300 GAL Water Tank Assy - Font Boom

Item	Part Number	Qty.	Description	Rev.
	VA6854-0376C		300 GAL WATER TANK ASSY, (all items)	
1	VA8852-0088E	1	WATER TANK, 300 GAL	
2	VA6345-0008B	2	SIGHT GAUGE GUARD RAIL	
3	VA4892-0002A	1	RED LINE PLASTIC TUBE	
4	VA2347-0015A	2	WATER SIGHT GAUGE	
5	VA4895-0311A	3	PIPE PLUG, 6"	

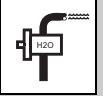


# WATER COMPONENTS

## Blower Assy



PAM0020



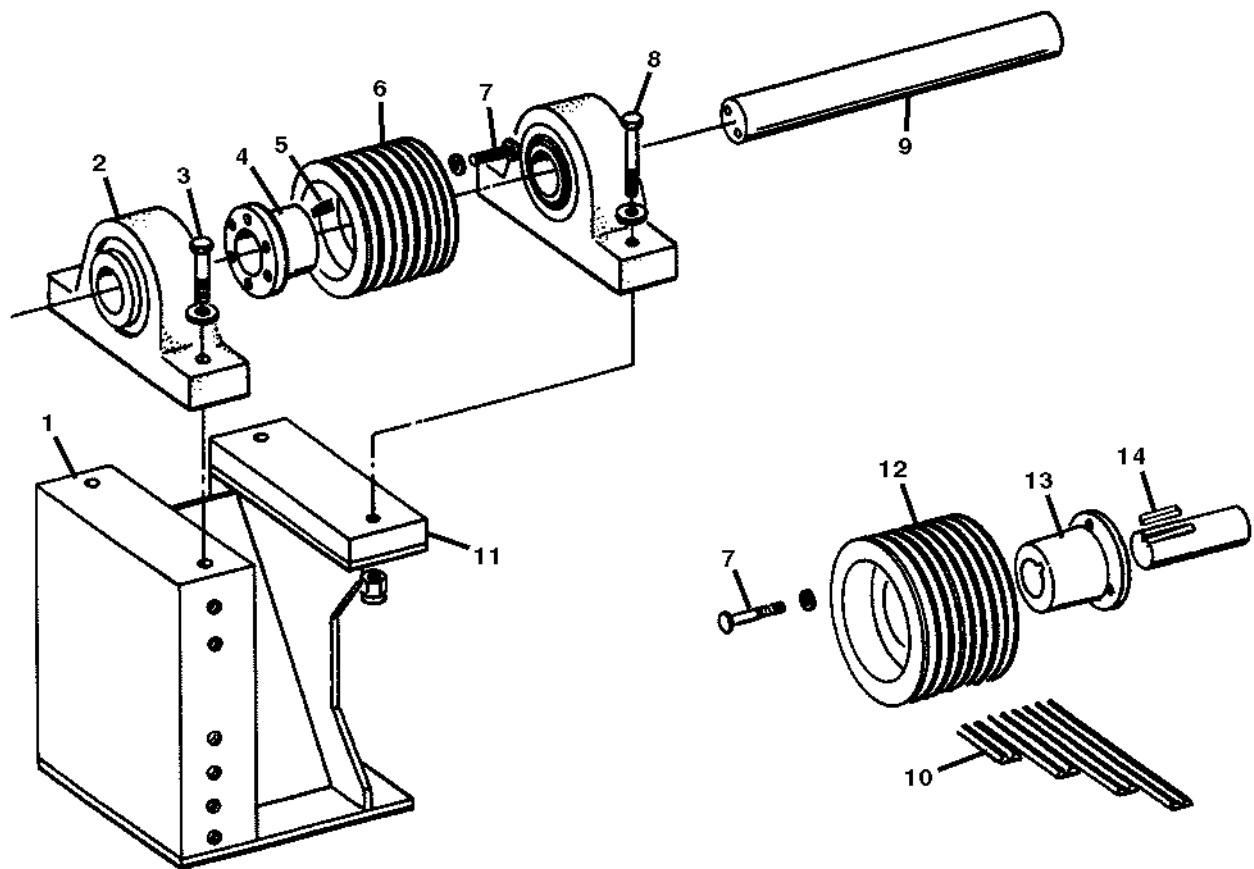
## Blower Assy

Item	Part Number	Qty.	Description	Rev.
1	VA5206-1603	2	NIPPLE	
2	VA2910-0032A	2	VALVE	
3	VA5401-1616	1	SWIVEL ADAPTER UNION	
4	VA5206-1618	1	NIPPLE	
5	VA5100-0016	1	TEE	
6	VA@0103	1	PIPE PLUG	
7	VA1364	1	STRAIGHT SWIVEL UNION	
8	VA3386-4167A	1	HOSE ASSY, (used on units w/manual hoist valve)	
	VA3386-4172A	1	HOSE ASSY, (used on units w/sweeper)	
9	VA3386-4167A	1	HOSE ASSY, (used on units except those w/transfer broom)	
	VA3386-4168A	1	HOSE ASSY, (used on units w/transfer broom)	
10	VA4139-0020A	1	INSPECTION COVER PLATE, LOWER	
11	VAF0350	14	CAPSCREW, 3/8X5/8	
12	VA4139-0077A	1	INSPECTION COVER PLATE, UPPER	
13	VA2347-0016A	1	OIL LEVEL SIGHT GAUGE	
14	VA8139-0093D	1	HOUSING COVER	
15	VA@0105	1	PIPE PLUG	
16	VAF0350	29	CAPSCREW, 3/8X1-1/4	
	VAF3100	27	LOCKNUT, 3/8"	
	VAF7875	2	LOCKWASHER, 3/8"	
	VAF0350	2	NUT, 3/8"	
17	VA2092-0001A	1	BREATHER	
18	VAF0350	1	OVAL SOCKET HEAD SCREW, 3/8X3/4	
19	VA6302-0001A	1	TRANSFORMATION GASKET	
20	VA2779-0012A	16	RUBBER RIVET	
21	VAF0981	2	NYLOCK CAPSCREW, 1/2X1-1/2	
22	VA4846-0001A	1	KEEPER STRIP	
23	VA4727-0180A	1	KEEPER PLATE	
24	VAF4912	1	SET SCREW, 3/4X2-1/2	
25	VA8968-0007D	1	BLOWER WHEEL	
26	VAF4910	1	SET SCREW, 3/4X2-1/2	
27	VA8391-0033D	1	BLOWER HOUSING	
28	VA8840-0001C	1	BLOWER OUTLET STACK, (VC 13 & 16 YD)	
	VA8840-0002C	1	BLOWER OUTLET STACK, (VC 10 & 14 YD)	
29	VA4498-0003A	1	KEY	
30	VA2498-0208A	1	KEY	
31	VA4820-0063C	1	BLOWER SHAFT	
32	VA4843-0007B	2	BLOWER HOUSING SUPPORT PLATE	



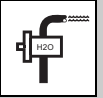
# WATER COMPONENTS

## Blower Drive Assy



PAM0010

# WATER COMPONENTS



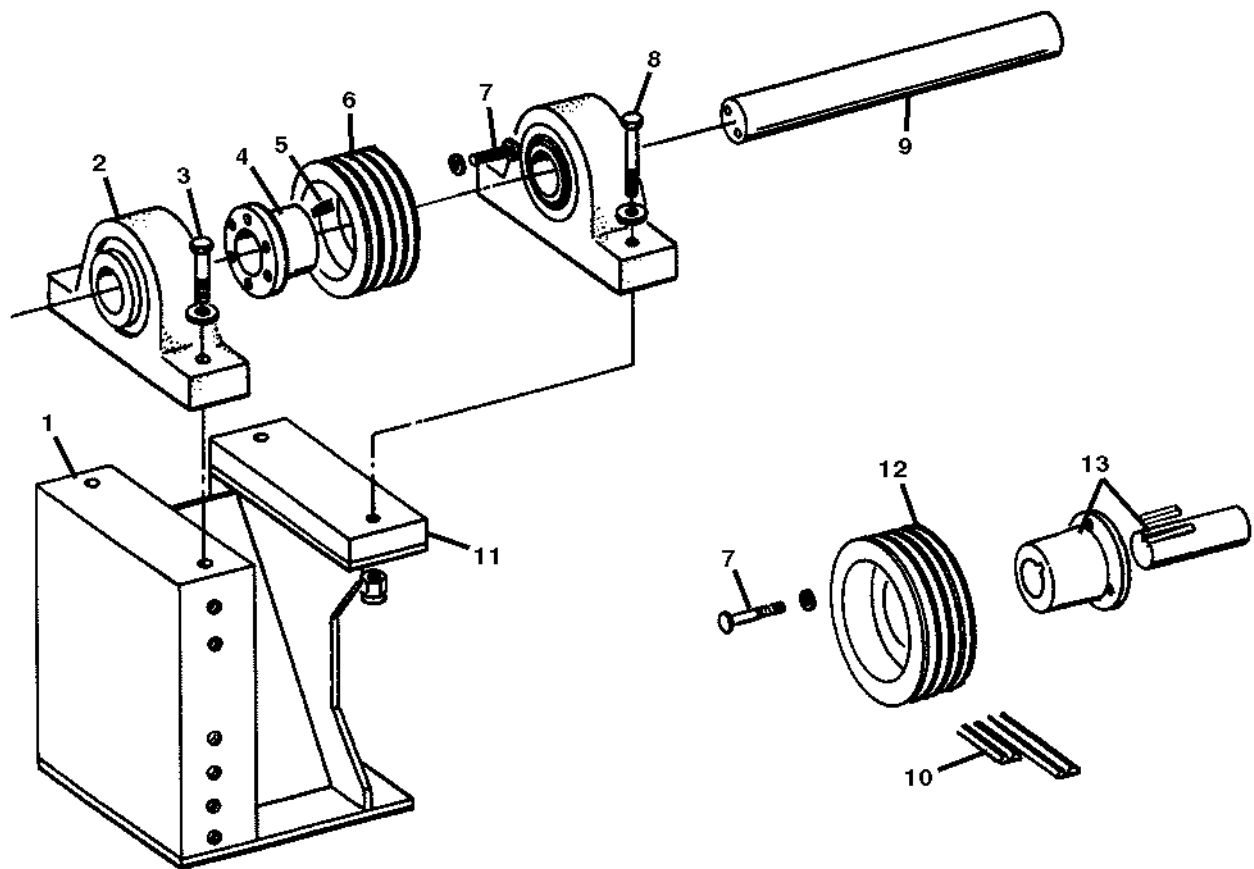
## Blower Drive Assy

Item	Part Number	Qty.	Description	Rev.
1	VA8054-0014C	1	BEARING BASE	
2	VA2062-0023B	2	BEARING	
3	VAF2223	2	CAPSCREW, 7/8X5-1/2	
	VAF7560	4	FLAT WASHER, 7/8"	
	VAF3826	4	LOCKNUT, 7/8"	
4	VA2096-0020A	1	BUSHING	
5	VA2498-0279A	1	KEY	
6	VA2840-0031B	1	BLOWER SHEAVE	
7	VA2806-0018A	3	CAPSCREW, 1/2X2-3/4	
8	VAF2223	2	CAPSCREW, 7/8X5-1/2	
9	VA4820-0063C	1	BLOWER SHAFT	
10	VA2064-0035A	1	BELT SET	
11	VA4837-0063A	1	BEARING SPACER	
12	VA2840-0029B	1	ENGINE SHEAVE	
13	VA2096-0021A	1	BUSHING	
14	VA2498-0208A	1	KEY	



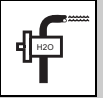
# WATER COMPONENTS

## Blower Drive Assy



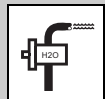
PAM0280





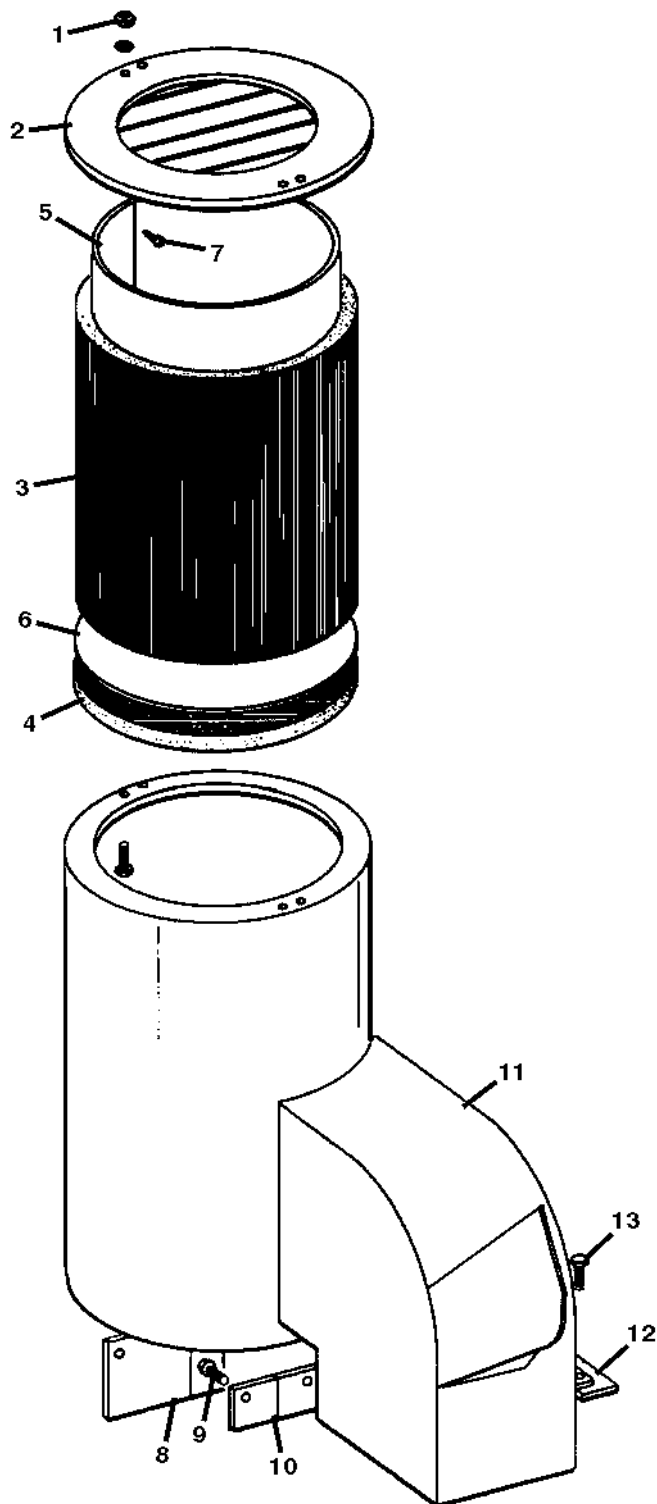
## Blower Drive Assy

Item	Part Number	Qty.	Description	Rev.
1	VA8054-0014C	1	BEARING BASE	
2	VA2062-0023B	2	BEARING	
3	VAF2223	2	CAPSCREW, 7/8X5-1/2	
	VAF7560	4	FLAT WASHER, 7/8"	
	VAF3826	4	LOCKNUT, 7/8"	
4	VA2096-0020A	1	BUSHING	
5	VA2498-0279A	1	KEY	
6	VA2840-0049A	1	BLOWER SHEAVE	
7	VA2806-0018A	3	CAPSCREW, 1/2X2-3/4	
8	VAF2223	2	CAPSCREW, 7/8X5-1/2	
9	VA4820-0063C	1	BLOWER SHAFT	
10	VA2064-0054A	1	BELT SET	
11	VA4837-0063A	1	BEARING SPACER	
12	VA2840-0048A	1	ENGINE SHEAVE	
13	VA2096-0040A	1	BUSHING w/KEY	

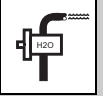


# WATER COMPONENTS

## Silent Vac Assy



PAM0030



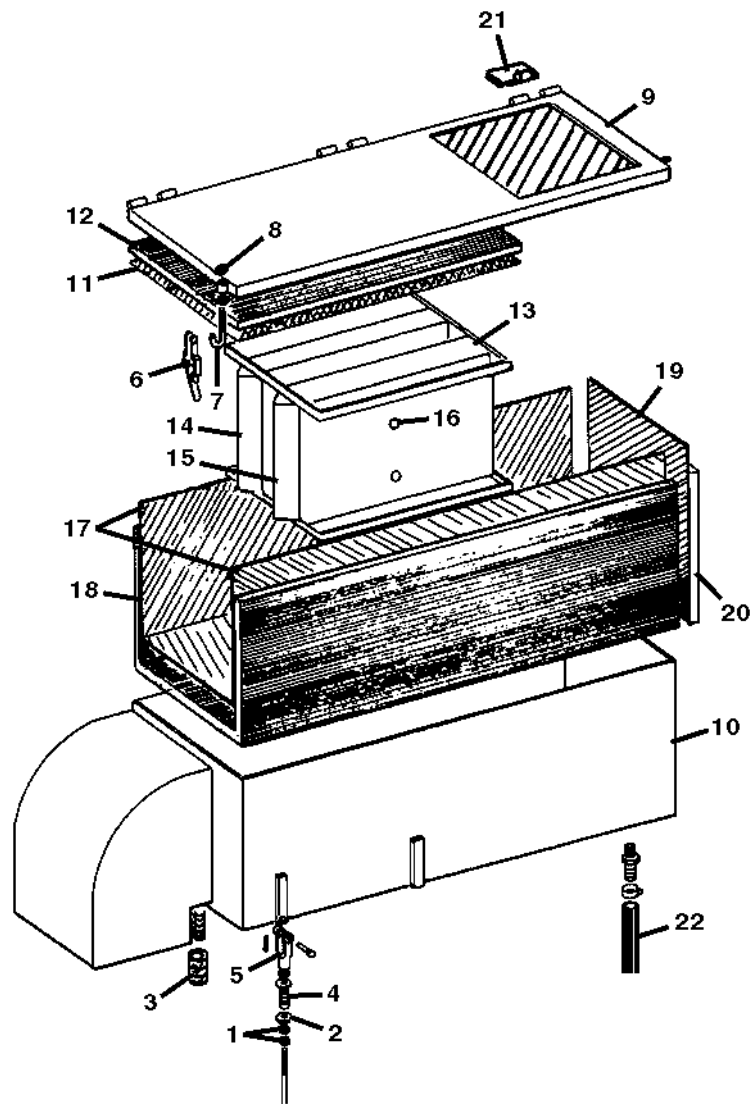
## Silent Vac Assy

Item	Part Number	Qty.	Description	Rev.
	VA6822-0015D		SILENT VAC ASSY, (all items)	
1	VAF3325	6	STOP NUT, 1/2"	
	VAF7350	6	FLAT WASHER, 1/2"	
2	VA8139-0104C	1	COVER	
3		1	FOAM PANEL	
4		1	BOTTOM FOAM PANEL	
5		1	FOAM RETAINER	
6		1	FOAM RETAINER	
7	VAF4215	4	SHEET METAL SCREW, #12X1/2	
8	VA4089-0011B	1	SUPPORT BRACE	
9	VAF1450	4	CAPSCREW, 5/8X2	
	VAF3500	4	STOP NUT, 5/8"	
	VAF7425	4	CUT WASHER, 5/8"	
10	VA4089-0012B	1	SUPPORT BRACE	
11	VA8824-0002D	1	SILENCER WELDMENT	
12	VA4347-0142A	1	GUSSET	
13	VAF0950	2	CAPSCREW, 1/2X1-1/2	
	VA9486-0069A	1	FOAM KITS, (items 3 & 4)	
	VA9486-0070A	1	RETAINER KIT, (items 5 & 6)	
	VA9486-0071A	1	RETAINER & FOAM KIT, (items 3-6)	

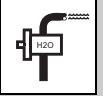


# WATER COMPONENTS

## Silent Vac Assy



PAM0040



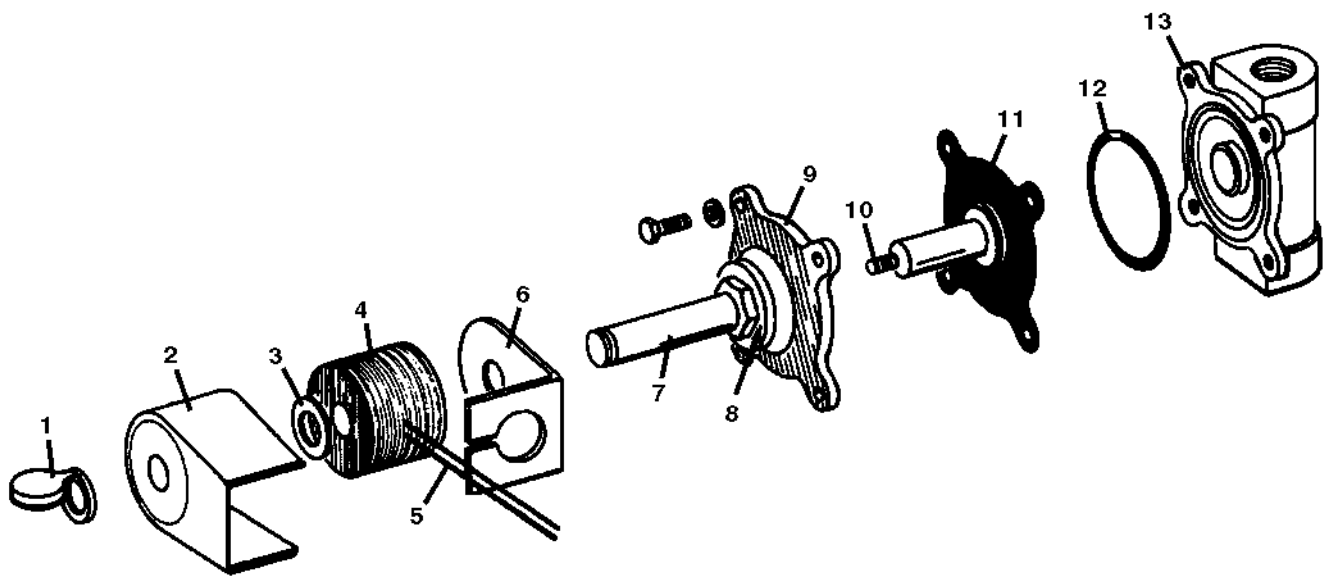
## Silent Vac Assy

Item	Part Number	Qty.	Description	Rev.
	VA6822-0014D		SILENT VAC ASSY, (VS) (all items)	
	VA6822-0016D	1	SILENCER ASSY, (VC 13 & 16 YD), (1-21)	
1	VAF3250	8	NUT, 1/2"	
2	VAF7350	4	FLAT WASHER, 1/2"	
3	VA2842-0022A	2	SPRING	
4	VA2842-0026A	2	SPRING	
5	VA8990-0002A	4	YOKE ASSY	
6	VA2127-0022A	2	CLAMP	
7	VA2474-0001A	2	J BOLT	
8	VAF2975	4	NUT, 3/8"	
9	VA8139-0105C	1	SILENCER COVER	
10	VA8391-0029D	1	SILENCER HOUSING, (VS)	
	VA8391-0030D	1	SILENCER HOUSING, (VC 13 & 16 YD)	
11		1	RETAINER COVER	
12		1	FOAM COVER	
13	VA8290-0120C	1	SILENCER BAFFLE WELDMENT, (VS)	
	VA8290-0121C	1	SILENCER BAFFLE WELDMENT, (VC 13 & 16 YD)	
14		4	BAFFLE RETAINER, (VS)	
		4	BAFFLE RETAINER, (VC 13 & 16 YD)	
15		4	BAFFLE FOAM, (VS)	
		4	BAFFLE FOAM, (VC 13 & 16 YD)	
16	VAF3250	4	LOCKNUT, 1/4"	
	VAF7350	4	FLAT WASHER, 1/4"	
	VAF5000	4	CARRAIGE SCREW, 1/4X4-1/2	
17		2	FOAM RETAINER, (VS)	
		2	FOAM RETAINER, (VC 13 & 16 YD)	
18		1	SIDES & BOTTOM FOAM, (VS)	
		1	SIDES & BOTTOM FOAM, (VC 13 & 16 YD)	
19		1	END FOAM RETAINER, (VS)	
		1	END FOAM RETAINER, (VC 13 & 16 YD)	
20		1	END FOAM, (VS)	
		1	END FOAM, (VS 13 & 16 YD)	
21	VA2372-0031A	3	HINGE	
22	VA6387-0103A	1	DRAIN HOSE ASSY KIT	
	VA9486-0063A	1	FOAM KIT, (items 12, 15, 18 & 20), (VS)	
	VA9486-0066A	1	FOAM KIT, (items 12, 15, 18 & 20), (VC 13 & 16 YD)	
	VA9486-0064A	1	RETAINER KIT, (items 11, 14, 17 & 19), (VS)	
	VA9486-0067A	1	RETAINER KIT, (items 11, 14, 17 & 19), (VC 13 & 16 YD)	
	VA9486-0065A	1	FOAM & RETAINER KIT, (items 11-12, 14-15 & 17-20), (VS)	
	VA9486-0068A	1	FOAM & RETAINER KIT, (VC 13 & 16 YD), (items 11-12, 14-15 & 17-20)	

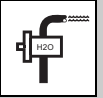


# WATER COMPONENTS

## Water Solenoid Valve



PAM0710



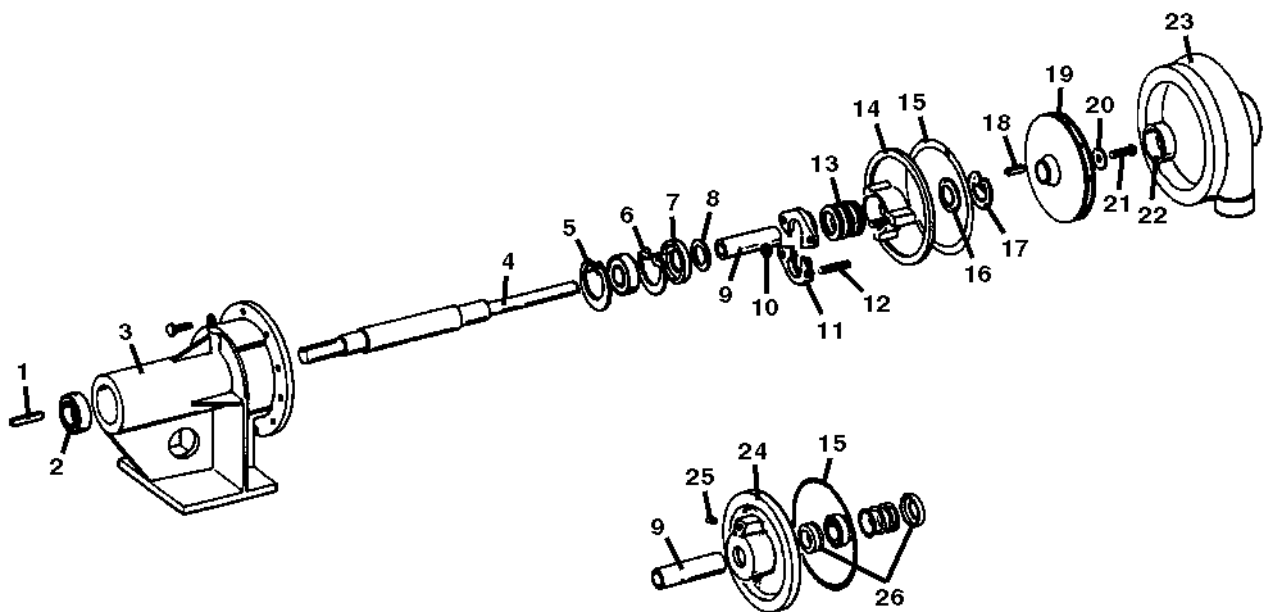
## Water Solenoid Valve

Item	Part Number	Qty.	Description	Rev.
	VA3910-0110B		WATER SOLENOID VALVE, (all items)	
1		1	RETAINING CAP	
2		1	HOUSING	
3		1	SPRING WASHER	
4	VA9130-0025	1	COIL	
5		2	WASHER INSULATION	
6		1	BASE PLATE	
7		1	SOLENOID BASE	
8		1	GASKET BONNET	
9		1	VALVE BONNET	
10		1	CORE SPRING	
11		1	DIAPHRAGM	
12		1	BODY GASKET	
13		1	VALVE BODY	
	VA9486-0129A		REPAIR KIT, (items 1,3, 8, 10, 11 & 12)	



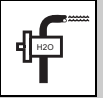
# WATER COMPONENTS

## Jetting Pump



PAM0650





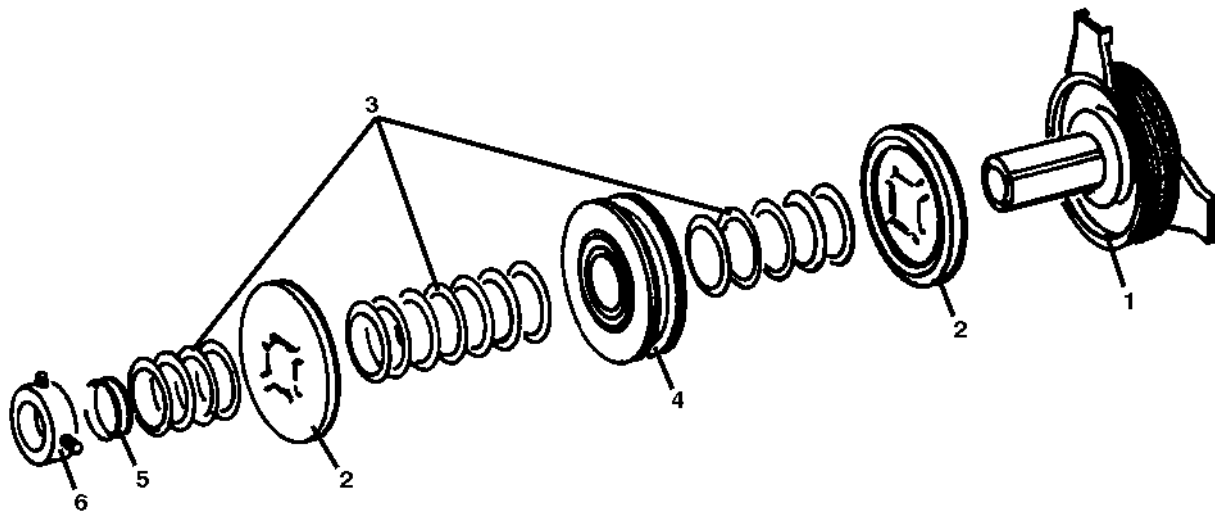
## Jetting Pump

Item	Part Number	Qty.	Description	Rev.
	VA3747-0009A		JETTING PUMP, (all items)	
1	VAE-2519-12B	1	KEY	
2		2	BEARING	
3	VAE-2519-20A	1	HOUSING	
4	VAE-2519-6A	1	SHAFT	
5		2	RETAINING RING	
		1	RETAINING RING	
6		1	RETAINING RING	
7	VAE-2519-14M	1	GREASE SEAL	
8		1	SLINGER	
9		1	SLEEVE	
10	VAE-2519-35F	2	PACKING NUT	
11	VAE-2519-7A	1	PACKING GLAND	
12	VAE-2519-22A	2	GLAND STUD	
13		1	PACKING SET	
14	VAE-2519-26U	1	PACKING INSERT	
15		1	VOLUTE GASKET	
16	VAE-2519-10K	1	PACKING WASHER	
17		1	RETAINER RING	
18		1	KEY	
19		1	IMPELLER	
20		1	WASHER	
21		1	CAPSCREW	
22		1	WEAR RING	
23	VA9939-0001	1	VOLUTE	
24		1	SEAL PLATE INSERT	
25		1	PLUG	
26		1	SEAL	
	VA9486-0110B		MECHANICAL SEAL KIT, (items 9, 15, 18-21 & 24-26) (can be used to replace rope packaging)	
	VAE-2519RK		REPAIR KIT, (items 2, 5, 6, 8-9, 13, 15, 17-18 & 20-22), (rope packing)	

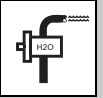


# WATER COMPONENTS

## Jetting Pump Clutch



PAM0660



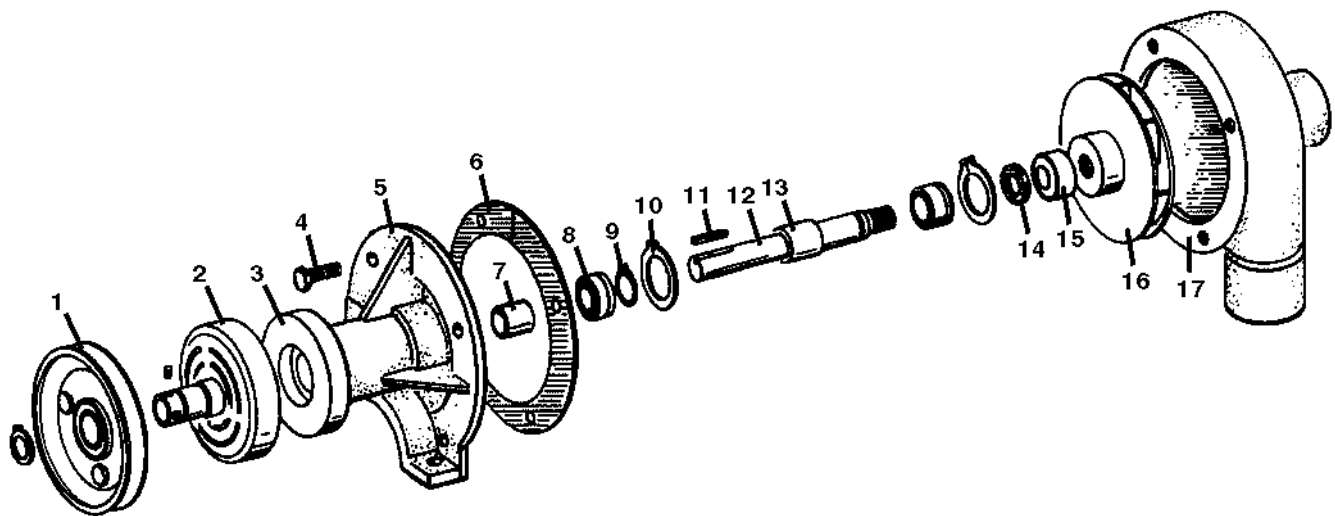
## Jetting Pump Clutch

Item	Part Number	Qty.	Description	Rev.
	VA3127-0004A	1	CLUTCH ASSY, (items 1-6)	
	VA2129-0001A	1	JETTING PUMP CLUTCH	
1		1	CLUTCH SHAFT	
2		2	PRESSURE PLATE	
3		1	SPACER SHIM	
4		1	SHEAVE	
5		2	SPRING	
6		1	COLLAR	
	VA9486-0083A	1	REPAIR KIT, (items 2 & 3)	

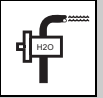


# WATER COMPONENTS

## Jetting Pump w/Electric Clutch



PAM0630



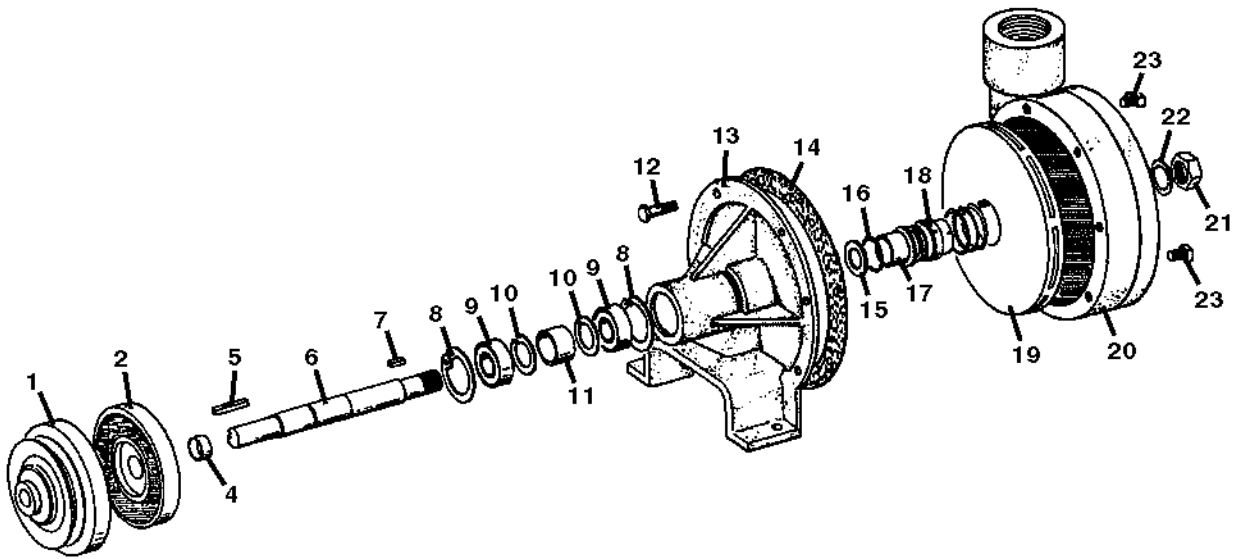
## Jetting Pump w/Electric Clutch

Item	Part Number	Qty.	Description	Rev.
	VA3747-0016C		JETTING PUMP w/ELECTRIC CLUTCH, (all items)	
1	VA9742-0001	1	SHEAVE ASSY	
2	VA9127-0001	1	MAGNETIC CLUTCH ASSY, (items 1-3)	
3	VA9130-0010	1	COIL	
4	VAF0255	4	CAPSCREW, 3/8X3/4	
5	VA9290-0005	1	FRAME	
6		1	GASKET	
7	VA9837-0003	1	SPACER	
8	VA9063-0025	2	BEARING	
9	VA9841-0008	2	SNAP RING, INTERNAL	
10	VA9841-0007	2	SNAP RING, EXTERNAL	
11	VA2498-0154	1	KEY, 3/16X3/16X1-1/4	
12	VA9820-0014	1	SHAFT	
13	VA9837-0002	1	BEARING SPACER	
14		1	O-RING	
15		1	SEAL	
16	VA9420-0006	1	IMPELLER	
17	VA9391-0013	1	VOLUTE	
	VA9486-0008A	1	REPAIR KIT, (items 6 & 14-15)	

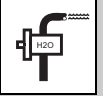


# WATER COMPONENTS

## Jetting Pump w/Electric Clutch



PAM0640



## Jetting Pump w/Electric Clutch

Item	Part Number	Qty.	Description	Rev.
	VA3747-0020C		JETTING PUMP w/ELECTRIC CLUTCH, (all items)	
1	VA9742-0003	1	SHEAVE ASSY	
2	VA9127-0009	1	CLUTCH ASSY, (items 1-4)	
3	VA9130-0020	1	COIL	
4	VA9837-0022	1	SPACER	
5		1	KEY, 3/16X3/16X1-1/4	
6	VA9820-0048	1	STAINLESS STEEL SHAFT	
7	VA9498-0024	1	IMPELLER KEY, 3/16X3/16X1/2	
8	VA9841-0014	2	SNAP RING	
9	VA9063-0079	2	SEALED BALL BEARING	
10	VA9841-0013	2	SNAP RING	
11		1	SPACER	
12	VAF0258	8	CAPSCREW, 3/8X3/4	
13	VA9290-0008	1	FRAME	
14		1	GASKET, 8 HOLES	
15	VA9829-0004	1	SLINGER	
16		1	O-RING	
17	VA9110-0006	1	CARTRIDGE SEAL	
18		3	SEAL	
19	VA9420-0007	1	IMPELLER, 8"	
20	VA9391-0036	1	VOLUTE, 2X1-1/2	
21	VA9647-0056	1	LOCKNUT, 9/16-18	
22	VA9952-0071	1	STAINLESS STEEL LOCKWASHER, 9/16"	
23		4	PIPE PLUG, 1/8"	
	VA9486-0147	1	REPAIR KIT, (items 14, 16, 18)	

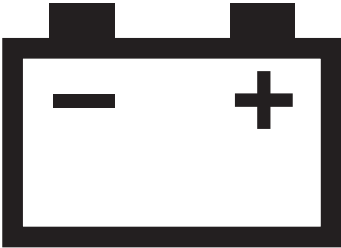


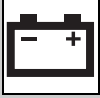
## WATER COMPONENTS

**This Page Intentionally Left Blank**



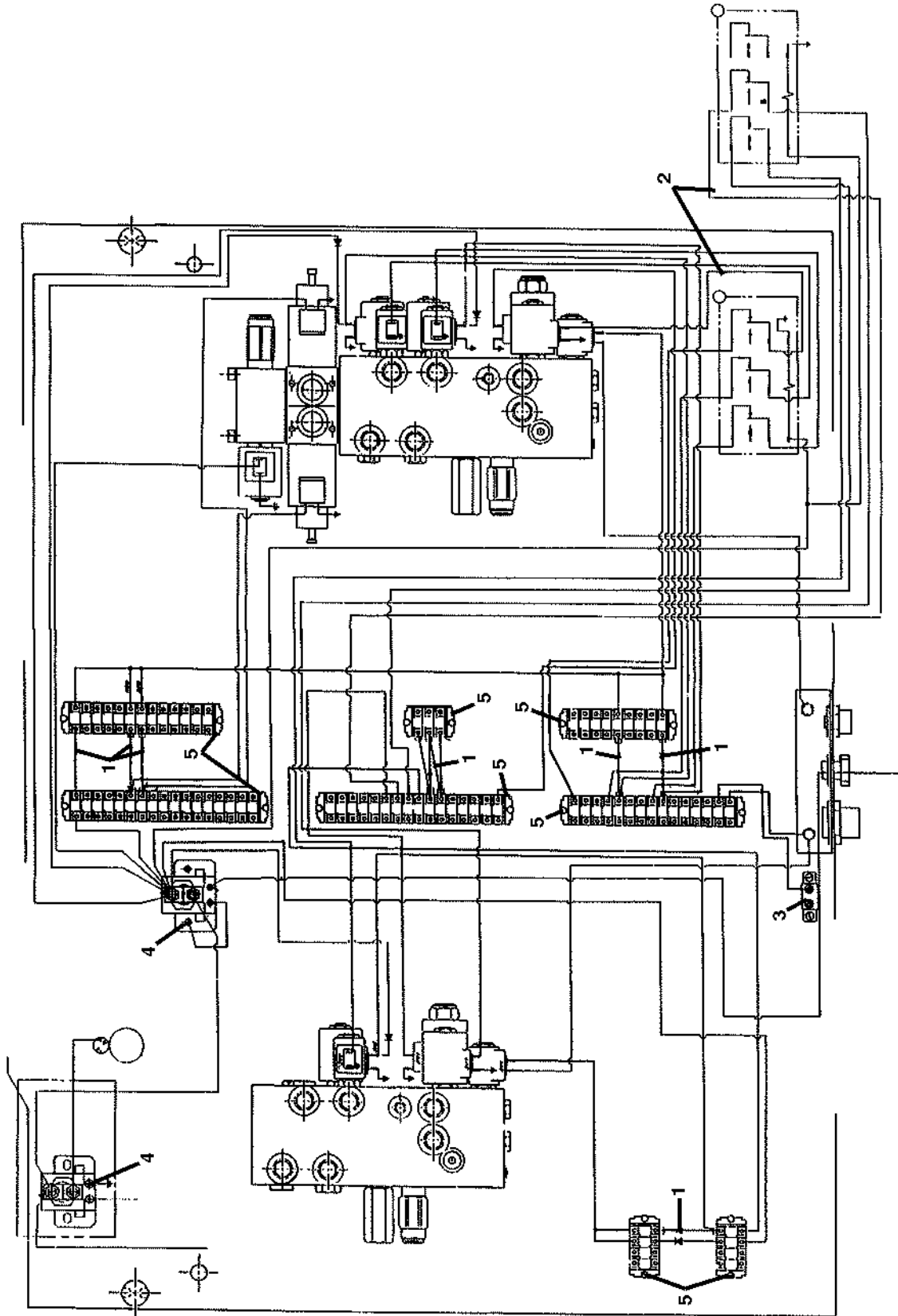
# SECTION 10 -ELECTRICAL



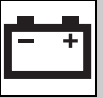


# ELECTRICAL

## Single Sweeper Wiring Panel w/Auto Raise

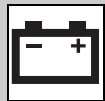


PAM0890



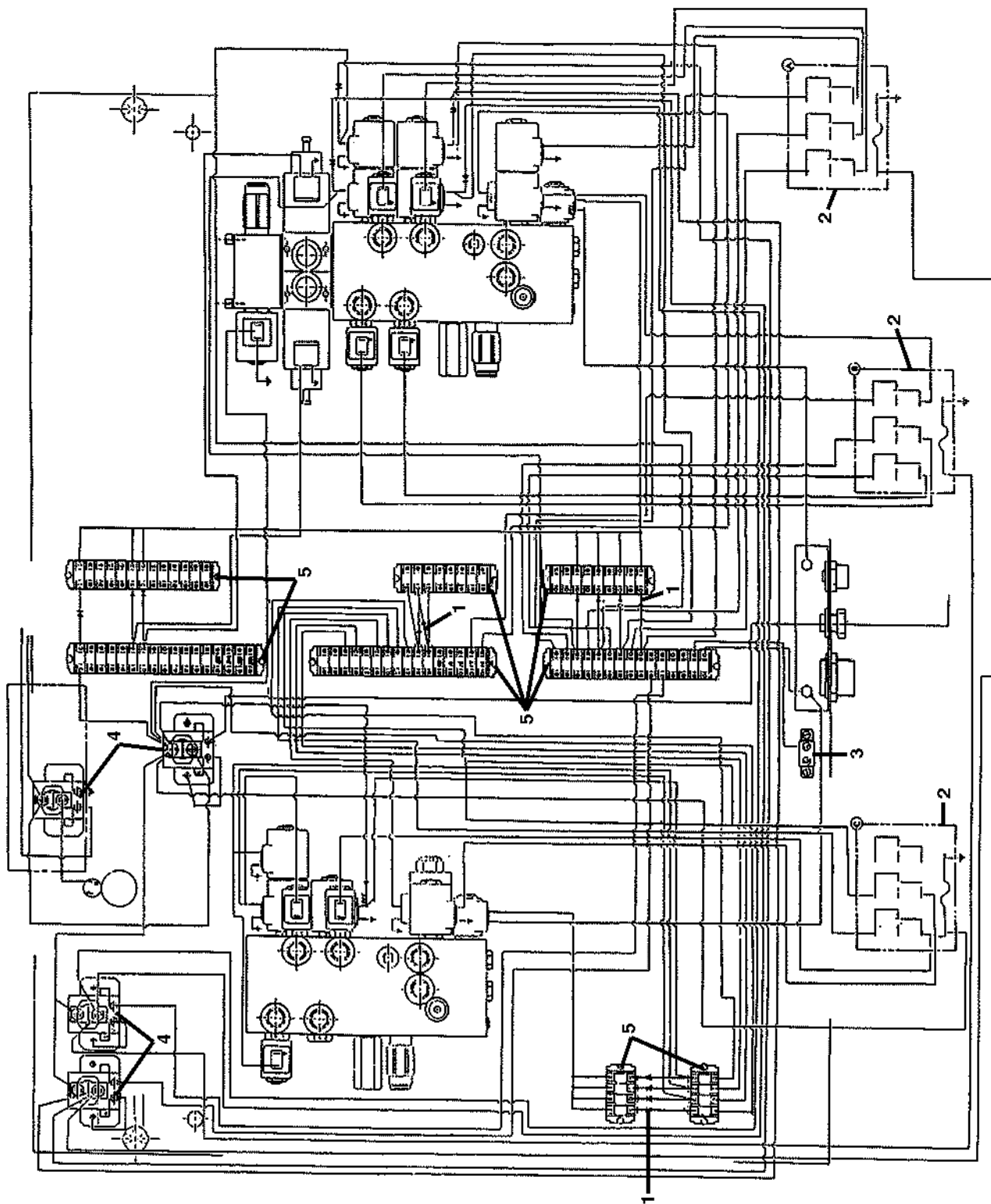
## Single Sweeper Wiring Panel w/Auto Raise

Item	Part Number	Qty.	Description	Rev.
	VA6705-0070D		SINGLE SWEEPER WIRING PANEL w/AUTO RAISE, (all items)	
1	VA2172-0002A	18	DIODE, 3 AMP	
	VA2896-0034A	1	HEAT SHINK TUBE	
	VA2862-0070A	2	MALE SLIP-ON CONNECTOR, #22-18	
2	VA2764-0028	3	RELAY, 3 PDT	
	VA2849-0010A	3	RELAY SOCKET	
3	VA2091-0016A	1	CIRCUIT BREAKER, 40 AMP	
4	VA9765-0002A	4	RELAY, 12 VDC, S.P.N.O.	
5	VA2862-0053A	81	SECTION BLOCK TERMINAL	
	VA2862-0054A	8	END BLOCK TERMINAL	
	<b>TERMINAL</b>		<b>FUNCTION</b>	
	#7		R.H. NOZZLE - UP	
	#8		R.H. NOZZLE - DOWN & FLOAT	
	#11		R.H. GUTTER BROOM - UP	
	#12		R.H. GUTTER BROOM - DOWN & FLOAT	
	#15		R.H. BROOM ROTATION - ON & OFF	
	#16		R.H. & L.H. BROOM SPEED - PROPORTIONAL	
	#23		TRANSFER BROOM - UP	
	#24		TRANSFER BROOM - DOWN & FLOAT	
	#25		TRANSFER BROOM ROTATION - ON & OFF	
	#26		TRANSFER BROOM SPEED - PROPORTIONAL #27	
	#42		BODY HOIST - UP	
	#43		BODY HOIST - DOWN	

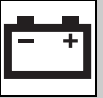


# ELECTRICAL

## Dual Sweeper Wiring Panel w/Auto Raise

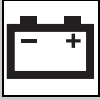


PAM0880



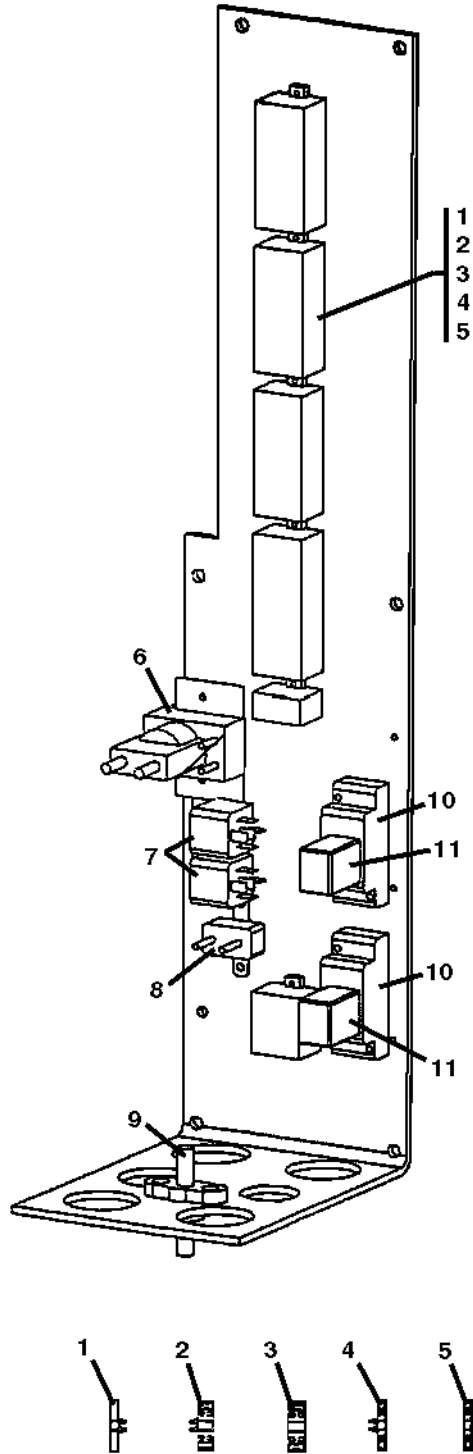
## Dual Sweeper Wiring Panel w/Auto Raise

Item	Part Number	Qty.	Description	Rev.
1	VA6705-0086A		DUAL SWEEPER WIRING PANEL w/AUTO RAISE, (all items)	
	VA2172-0002A	18	DIODE, 3 AMP	
	VA2896-0034A	1	HEAT SHINK TUBE	
	VA2862-0070A	2	MALE SLIP-ON CONNECTOR, #22-18	
2	VA2764-0028	3	RELAY, 3 PDT	
	VA2849-0010A	3	RELAY SOCKET	
3	VA2091-0016A	1	CIRCUIT BREAKER, 40 AMP	
4	VA9765-0002A	4	RELAY, 12 VDC, S.P.N.O.	
	VA2846-0007A	1	GROUND STRAP	
5	VA2862-0053A	86	SECTION BLOCK TERMINAL	
	VA2862-0054A	8	END BLOCK TERMINAL	
	<b>TERMINAL</b>		<b>FUNCTION</b>	
	#7		R.H. NOZZLE - UP	
	#8		R.H. NOZZLE - DOWN & FLOAT	
	#9		L.H. NOZZLE - UP	
	#10		L.H. NOZZLE - DOWN & FLOAT	
	#11		R.H. GUTTER BROOM - UP	
	#12		R.H. GUTTER BROOM - DOWN & FLOAT	
	#13		L.H. GUTTER BROOM - UP	
	#14		L.H. GUTTER BROOM - DOWN & FLOAT	
	#15		R.H. BROOM ROTATION - ON & OFF	
	#16		R.H. & L.H. BROOM SPEED - PROPORTIONAL	
	#17		L.H. BROOM ROTATION - ON & OFF	
	#23		TRANSFER BROOM - UP	
	#24		TRANSFER BROOM - DOWN & FLOAT	
	#25		TRANSFER BROOM ROTATION - ON & OFF	
	#26		TRANSFER BROOM SPEED - PROPORTIONAL #27	
	#28		TRANSFER BROOM TRAVERSE - RIGHT	
	#29		TRANSFER BROOM TRAVERSE - LEFT	
	#42		BODY HOIST - UP	
	#43		BODY HOIST - DOWN	

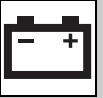


# ELECTRICAL

## Single Sweeper Hydraulic Box



PAM0950



## Single Sweeper Hydraulic Box

Item	Part Number	Qty.	Description	Rev.
1	VA602527	6	END CAP, WIED	
2	VA602526	4	DOUBLE END, WIED	
3	VA602525	21	DOUBLE CONNECTOR, WIED	
4	VA602529	2	SINGLE END, WIED	
5	VA602528	14	SINGLE CONNECTOR, WIED	
6	VA9765-0002A	1	STARTER SOLENOID RELAY SWITCH	
7	VA102118	4	RELAY, 12V SPDT	
8	VA2091-0016A	1	CIRCUIT BREAKER, 40 AMP	
9	VA602516	1	DELL FEED STUD	
10	VA602524	2	RELAY SOCKET, OMRON	
11	VA602523	2	RELAY, OMRON 4PDT	

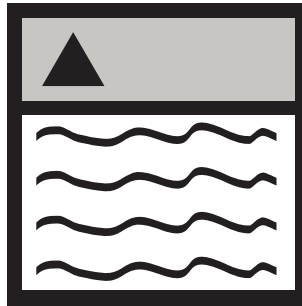


## ELECTRICAL

**This Page Intentionally Left Blank**



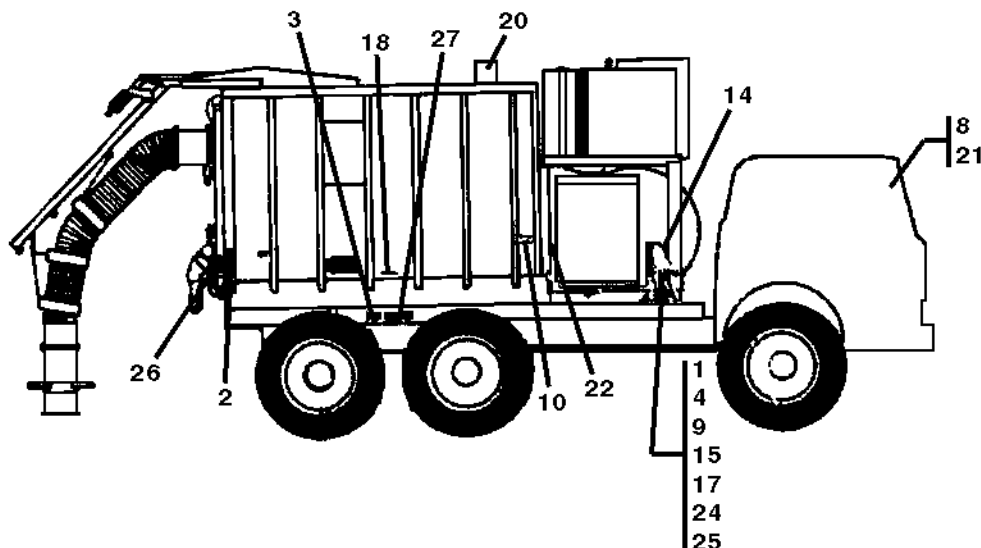
## SECTION 11 -DECALS





# DECALS

## Decals



**IMPORTANT**  
**Lubrication Instructions:**  
**Hand Grease Guns Only!**  
**Blower Bearings - 2 to 3**  
**strokes daily.**  
**Clutch Throwout Collar -**  
**1 stroke daily.**  
**VAC/ALL by LEACH CO.**

**CAUTION**  
**TAILGATE MUST BE**  
**SECURELY PROPPED**  
**WHEN IN A RAISED**  
**POSITION.**

**WARNING**  
**BODY PROP IS TO BE USED**  
**ONLY WITH EMPTY BODY.**  
**BODY MUST BE SECURELY**  
**BLOCKED WHEN REPAIR WORK**  
**IS DONE. VEHICLE IS NOT TO**  
**BE MOVED WHILE BODY PROP**  
**IS UP.**

**WARNING**  
 SLOWLY ENGAGE BLOWER WHEN  
 ENGINE SPEED IS AT 1000 RPM.  
 BLOWER IS TO BE OPERATED  
 ONLY WHEN BODY IS DOWN.  
 DO NOT SHUT DOWN ENGINE WHEN  
 BLOWER IS ENGAGED. RUN ENGINE  
 FOR A MINIMUM OF TWO MINUTES  
 AFTER DISENGAGING BLOWER.

**CAUTION**

1. DO NOT OPERATE BLOWER IF UNUSUAL VIBRATION OR NOISE OCCURS. INSPECT THE BLOWER THOROUGHLY AND REBALANCE. SEE SERVICE MANUAL FOR MAINTENANCE AND BALANCING INSTRUCTIONS.
2. INSPECT THE BLOWER EVERY 200 HOURS OF OPERATION. INSPECT THE CONDITION OF EACH BLADE AT THE TIP, AT THE HUB AND AT THE FRONT AND BACK BLOWER PLATES. INSPECT THE BLOWER BEARING.
3. WHENEVER WELDING OR HARDFACING IS ADDED TO THE BLADES OR ANY OTHER REPAIRS ARE MADE REBALANCE THE WHEEL PRIOR TO PLACING UNIT BACK INTO SERVICE.
4. DO NOT OPERATE BLOWER WITHOUT PROPER DUST CONTROL.

**WARNING**  
 FAILURE TO PERIODICALLY INSPECT THIS BLOWER  
 AS OUTLINED, COULD RESULT IN SERIOUS DAMAGE  
 AND VOID THE WARRANTY ON THIS EQUIPMENT.

**CAUTION**  
 RAISE NOZZLE & GUTTER  
 BOOM BEFORE BACKING UP

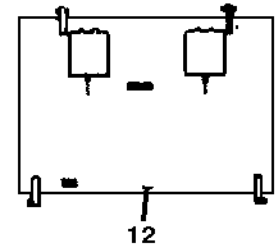
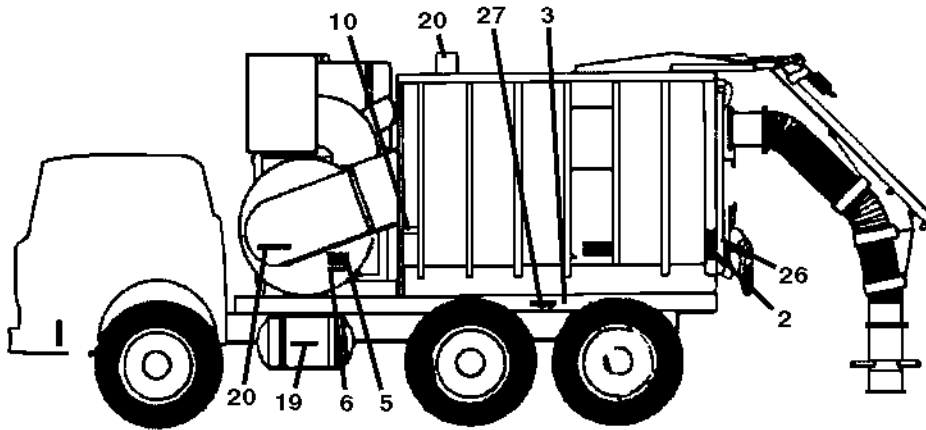
**CAUTION**  
 WHENEVER THE BODY IS IN ANY ELEVATED OR RAISED  
 POSITION IT MUST BE SECURELY PROPPED OR BLOCKED  
 SO IT CAN NOT FALL ON ANYONE

**DRAIN DAILY**

**AIR CHAMBER CLEAN OUT DOOR**  
**CLEAN OUT DAILY**  
**LEAVE OPEN AFTER WORK DAY**



Decals (Continued)



11  
**NO  
STEP**

15  
**CAUTION**  
DO NOT ENGAGE CLUTCH  
WHEN ENGINE SPEED  
IS ABOVE 800 RPM

19  
**WARNING**  
**DIESEL  
FUEL ONLY**

12  
BOOM MUST BE CHAINED IN STORED  
POSITION WHEN TRAVELING

14  
**THROTTLE  
CONTROL**

17  
**WARNING**  
DO NOT RUN PUMP WITHOUT  
LIQUID OR SHAFT SEAL WILL  
BE DESTROYED!

13  
WHEN BROOM OR NOZZLE ARE IN TRAVELING  
POSITION, SAFETY CHAINS MUST BE SECURED.

16  
**GASOLINE**

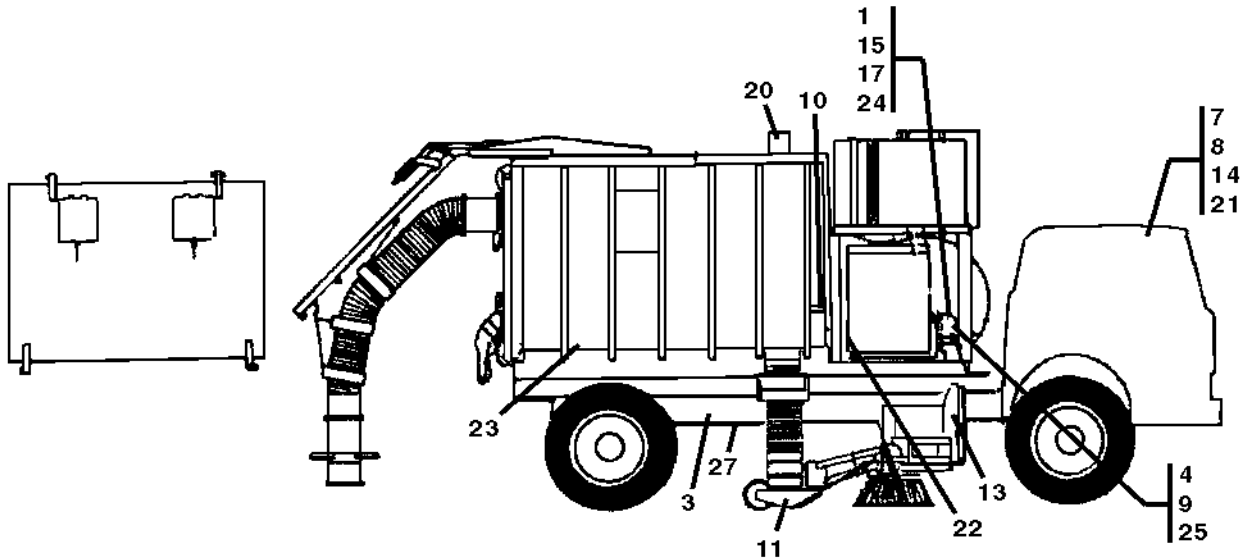
18  
**SCREEN WASHER**

20  
**HYDRAULIC OIL**



# DECALS

## Decals (Continued)



21

**CAUTION**

WHENEVER THE TAILGATE IS IN A RAISED POSITION IT MUST BE SECURELY PROPPED SO IT CANNOT FALL ON ANYONE

23

**PENDANT STATION**

24

**BODY HOIST OPERATION**

- PULL HANDLE OUTWARD TO RAISE
- PUSH HANDLE INWARD TO LOWER

22

**CAUTION**

**ALTERNATOR METALLATION**

DO NOT connect the battery cables until all wiring harness connectors have been made and properly tightened. If accidentally grounded, the lead to the battery terminal of the alternator will burn the wiring harness.

DO NOT pry against the steel center-pinion (caster), the rear housing, or the through bolts when adjusting drive belt tension. Always place the pry bar against the front housing.

Prying against the wrong parts will bend the through bolts and cause alternator assembly backfires.

DO NOT attempt to substitute the alternator. It can damage the voltage regulator and is not necessary.

DO NOT connect battery terminals in reverse polarity. This will burn out the alternator diodes. Connect positive (+) to positive and negative (-) to negative.

DO NOT disconnect alternator wires before disconnecting battery cables. Accidental grounding will burn the wiring harness.

DO NOT connect a battery charger to the battery before disconnecting the battery cables. When connecting the battery charger, connect positive (+) to positive and negative (-) to negative.

DO NOT use an electric welder on machines unless both battery cables and alternator wires are disconnected.

25

**WARNING**

THIS VEHICLE REQUIRES OF OVERHEAD CLEARANCE AS ORIGINALLY MOUNTED.

26

**⚠ DANGER**

**STAND CLEAR WHEN TAILGATE IS IN MOTION & DURING UNLOADING CYCLE. DO NOT STAND UNDER OR CROSS UNDER RAISED TAILGATE.**

27

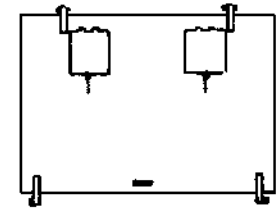
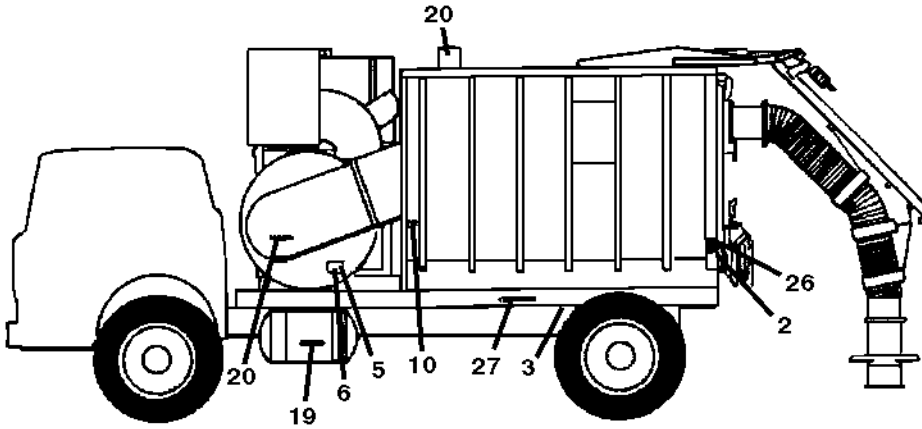
**DANGER**

**DO NOT ENTER UNDER CHASSIS UNLESS ENGINE OR POWER UNITS ARE STOPPED AND IGNITION KEYS REMOVED**

PAM1150



Decals (Continued)





## DECALS

### Decals

Item	Part Number	Qty.	Description	Rev.
1	VA2602-0007A	1	LUBRICATION INSTRUCTIONS	
2	VA4160-0018A	2	CAUTION DECAL	
3	VA4160-0019A	2	WARNING DECAL	
4	VA4160-0020A	1	WARNING DECAL	
5	VA4160-0026A	1	CAUTION DECAL	
6	VA4160-0027A	1	WARNING DECAL	
7	VA4160-0060A	6	CAUTION DECAL	
8	VA4160-0068A	3	CAUTION DECAL	
9	VA4160-0069A	2	DRAIN DAILY DECAL	
10	VA4160-0072A	2	AIR CHAMBER CLEAN OUT DECAL	
11	VA4160-0079A	14	NO STEP DECAL	
12	VA4160-0080A	1	BOOM MUST BE CHAINED DECAL	
13	VA4160-0125A	6	WHEN BROOM OR NOZZLE ARE IN TRAVELING DECAL	
14	VA4160-0156A	1	THROTTLE CONTROL DECAL	
15	VA4160-0163A	1	CAUTION DECAL	
16	VA4160-0164A	1	GASOLINE DECAL	
17	VA4160-0165A	1	WARNING DECAL	
18	VA4160-0166A	1	SCREEN WASHER DECAL	
19	VA4160-0167A	1	WARNING DECAL	
20	VA4160-0168A	2	HYDRAULIC OIL DECAL	
21	VA4160-0170A	2	CAUTION DECAL	
22	VA4160-0171A	1	CAUTION DECAL	
23	VA4160-0172A	1	PENDANT STATION DECAL	
24	VA4160-0176A	1	BODY HOIST OPERATION DECAL	
25	VA38164	2	WARNING DECAL	
26	VA38979	2	DANGER DECAL	
27	VA41894	2	DANGER DECAL	
28		1	VAC/ALL DECAL, BLACK	
29		1	VAC/ALL DECAL, WHITE	
30		4	VAC/ALL DECAL, BLACK	
31		4	VAC/ALL DECAL, WHITE	



Decals (Continued)

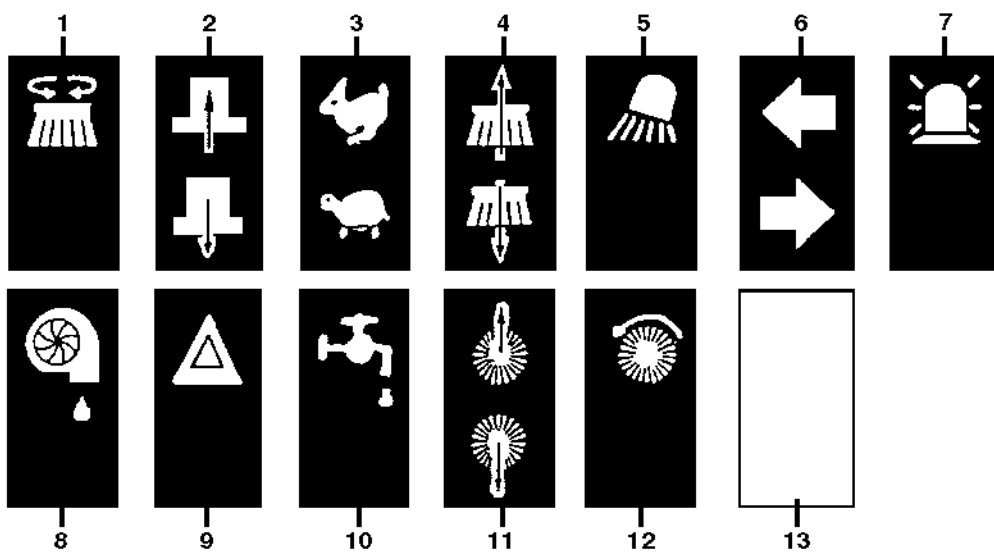
Item	Part Number	Qty.	Description	Rev.



# DECALS

## Rocker Switch Decals

---







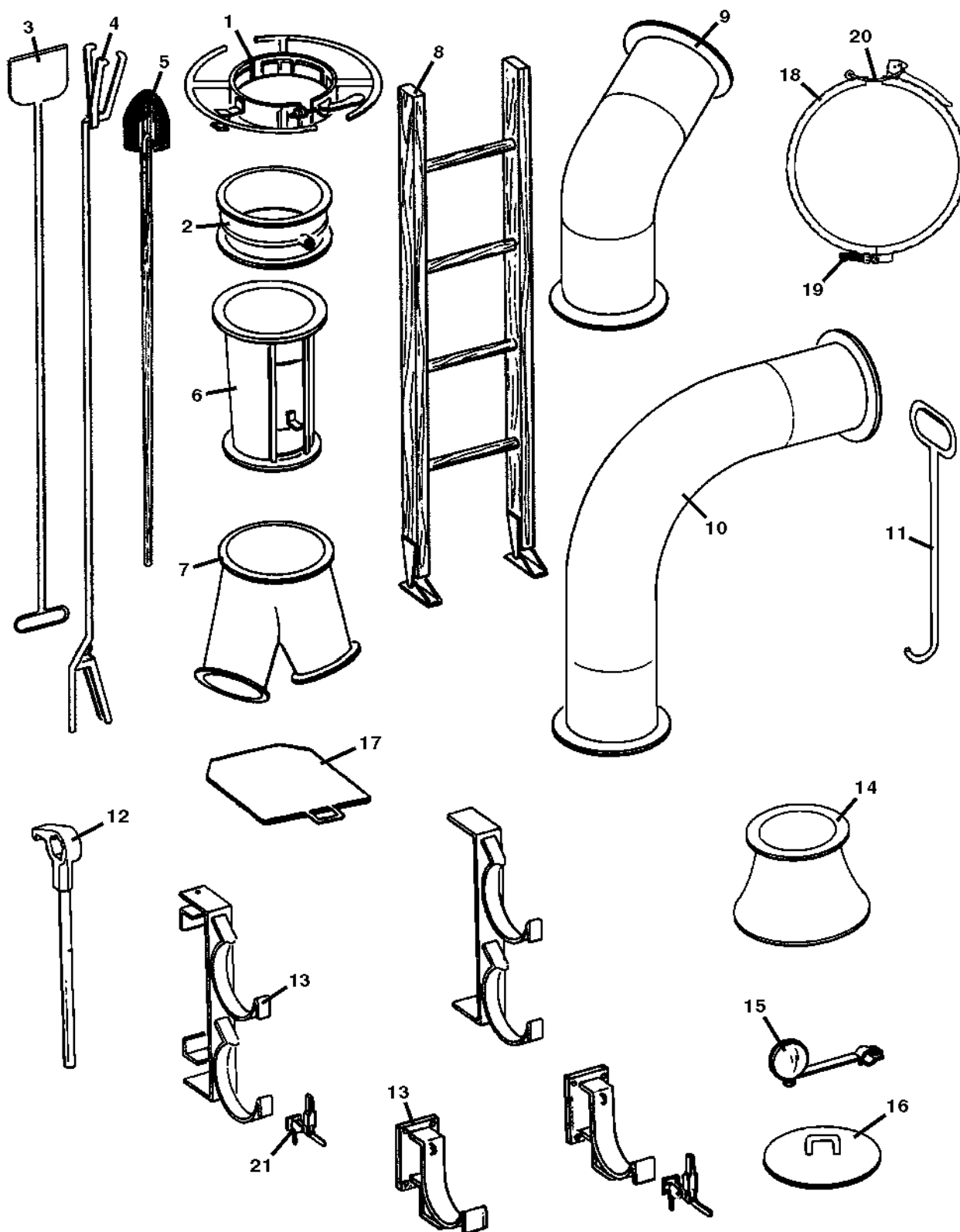
## Rocker Switch Decals

Item	Part Number	Qty.	Description	Rev.
1		1	GUTTER BROOM MOTOR DECAL, ON/OFF	
2		1	PICK-UP NOZZLE DECAL, RAISE/LOWER	
3		1	BROOM SPEED DECAL, FAST/SLOW	
4		1	GUTTER BROOM DECAL, RAISE/LOWER	
5		2	WORK LIGHT DECAL	
6		1	DIRECTION ARROW DECAL	
7		2	BEACON LIGHT DECAL	
8		1	JETTING PUMP DECAL	
9		1	HAZARD DECAL	
10		2	WATER MANIFOLD DECAL	
11		1	TRANSFER BROOM DECAL, RAISER/LOWER	
12		1	TRANSFER BROOM DECAL, ON/OFF	
13	VA2509-0011A	32	GREEN BLANK LENS ROCKER SWITCH	
	VA2486-0015A	1	SWITCH DECAL KIT, (items 1-12)	



# DECALS

## Accessories



PAM0600



## Accessories

Item	Part Number	Qty.	Description	Rev.
1	VA6353-0010D		OPERATOR HANDLE, 12", STEEL	
	VA6353-0009D		OPERATOR HANDLE, 10", STEEL	
	VA6353-0008D		OPERATOR HANDLE, 8", STEEL	
	VA6353-0007D		OPERATOR HANDLE, 6", STEEL	
	VAE-538-12		OPERATOR HANDLE, 12", ALUMINUM	
	VAE-538-10		OPERATOR HANDLE, 10", ALUMINUM	
	VAE-538-8		OPERATOR HANDLE, 8", ALUMINUM	
	VAE-538-6		OPERATOR HANDLE, 6", ALUMINUM	
2	VA8552-0003C		SCRUBBER MANIFOLD, 12"	
	VA8552-0020C		SCRUBBER MANIFOLD, 10"	
	VA8552-0018C		SCRUBBER MANIFOLD, 8"	
	VA8552-0016C		SCRUBBER MANIFOLD, 6"	
3	VA8808-0001B		SCREEN SCRAPER	
4	VA8770-0001D		RETRIEVER	
5	VA4880-0001B		SHOVEL	
6	VA8762-1210C		REDUCER, 12" TO 10"	
	VA8762-1208C		REDUCER, 12" TO 8"	
	VA8762-0806C		REDUCER, 8" TO 6"	
	VA8762-1008C		REDUCER, 10" TO 8"	
	VA8762-1206C		REDUCER, 12" TO 6"	
	7	VA8997-0071B		WYE, 12" TO TWO 12"
VA8997-0072B			WYE, 12" TO TWO 8"	
VA8997-0073B			WYE, 12" TO TWO 6"	
VA8997-0074B			WYE, 10" TO TWO 8"	
VA8997-0075B			WYE, 8" TO TWO 6"	
VA8997-0076B			WYE, 8" TO TWO 4"	
VA8997-0077B			WYE, 6" TO TWO 4"	
VA8997-0078B			WYE, 6" TO TWO 4", W/BEADED TUBE ENDS	
VA8997-0079B			WYE, 6" TO TWO 4", W/4" FEMALE TWIST COUPLERS	
VAE-793			MALE TWIST TYPE COUPLER, 4"	
VAE-794		FEMALE TWIST TYPE COUPLER, 4"		
8	VA2501-0002A		LADDER	
9	VAE-1597A-12		STEEL ELBOW, 45 DEGREES	
10	VAE-1596A-12		STEEL ELBOW, 90 DEGREES	
11	VA8387-0004A		MANHOLE HOOK	
12	VA2880-0004A		HYDRANT WRENCH	
13	VA6896-0039B		FRONT BUMPER TUBE RACK, SINGLE	
	VA6896-0024C		FRONT BUMPER TUBE RACK, DUAL	
	VA6896-0014C		TAILGATE TUBE RACK, SINGLE	
	VA6896-0009C		TAILGATE TUBE RACK, DUAL	
	14	VA8635-0024B		BELL LEAF NOZZLE
15	VA2572-0004A		SWEEPER MIRROR, 8"	
16	VA8139-0009A		COVER PLATE, 12"	
17	VA8726-0015A		COVER PLATE	
18	VA6127-0001C		CLAMP, 12"	
	VA6127-0009C		CLAMP, 10"	
	VA6127-0002C		CLAMP, 8"	
	VA6127-0008C		CLAMP, 6"	



# DECALS

## Accessories (Continued)

Item	Part Number	Qty.	Description	Rev.
19	VA6127-0007C		CLAMP, 4"	
20	VA2842-0004A		SPRING	
21	VA8842-0001A		SPRING	
	VA2127-0022A		TOGGLE CLAMP	



Accessories (Continued)

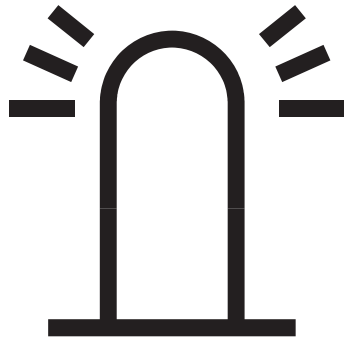
Item	Part Number	Qty.	Description	Rev.



## DECALS

**This Page Intentionally Left Blank**

## SECTION 12 -OPTIONS





## OPTIONS

**This Page Intentionally Left Blank**



# PART NUMBER INDEX



Part Number	Page	Part Number	Page	Part Number	Page	Part Number	Page
83211042	1-17	VA2056-0001A	4-6	VA2127-0071A	1-9	VA2390-0179A	2-11
88201069	1-17	VA2062-0015A	2-5	VA2127-0072A	1-9	VA2397-0003A	4-9
88211072	1-11	VA2062-0023B	9-21, 9-23	VA2127-0081A	1-9	VA2397-0004A	4-9
88221082	1-11	VA2062-0024A	2-5	VA2127-0129B	2-3	VA2474-0001A	9-27
88501008	1-15	VA2063-0005A	3-3, 3-29	VA2127-0145	1-3	VA2486-0015A	11-9
88521308	1-17	VA2063-0010A	3-8	VA2127-0159A	4-11, 4-13, 4-15, 4-17	VA2498-0019	1-3
88551013	1-15	VA2063-0012A	2-19	VA2127-0168A	4-9	VA2498-0154	9-35
88561111	1-15	VA2063-0013A	2-19	VA2129-0001A	9-33	VA2498-0208A	9-19, 9-21
88631491	1-17	VA2064-0028A	8-3	VA2130-0019A	8-11	VA2498-0279A	9-21, 9-23
90021593	1-17	VA2064-0034A	8-3	VA2132-0016A	4-25	VA2501-0002A	11-11
90021624	1-17	VA2064-0035A	9-21	VA21368	8-11, 8-13	VA2509-0011A	11-9
90027471	1-17	VA2064-0038A	8-7	VA2138-0055A	8-7	VA2522-0012A	3-3
VA0000S4078	1-11	VA2064-0054A	9-23	VA2138-0120A	6-19	VA2522-0029A	5-5
VA0000S4350	1-11	VA2073-0001A	2-19	VA2139-0004A	1-15, 6-15, 8-15	VA2522-0039A	1-3
VA0000S4351	1-11	VA2085-0002A	8-17	VA2172-0002A	10-3, 10-5	VA2572-0004A	11-11
VA0000S4352	1-11	VA2087-0003A	4-6	VA21793	6-15	VA2599-0007A	4-11, 4-15
VA0000S4353	1-11	VA2087-0005A	5-5	VA2225-0005A	4-9	VA2599-0008A	4-13, 4-17
VA0000S4354	1-11	VA2091-0013A	5-5	VA2225-0011A	4-9	VA2602-0007A	11-6
VA0000S4355	1-11	VA2091-0016A	10-3, 10-5, 10-7	VA2260-0010A	4-21	VA2602-0094A	2-3
VA0000S4356	1-11	VA2092-0001A	9-19	VA2272-0004A	1-9, 8-4	VA2602-0137C	1-15
VA0000S4357	1-11	VA2092-0002A	2-5, 3-3, 3-7	VA2273-0001	6-3, 6-5	VA2620-0003A	6-17
VA0000S4358	1-11	VA2092-0010A	2-7	VA2273-0002A3-3	3-19, 4-27	VA2635-0001A	3-5
VA0000S4359	1-11	VA2093-0002C	3-5	VA2273-0007A	3-3, 3-19	VA2635-0006B	6-17
VA0000S4360	1-11	VA2093-0010B	3-7	VA2275-0003A	4-11, 4-17	VA2635-0017A	8-17
VA0000S4361	1-11	VA2093-0011B	3-7	VA2275-0549A	4-11	VA2647-0006A	3-21, 3-23
VA0000S4362	1-11	VA2093-0012B	3-7	VA2275-0550A	4-13, 4-15, 4-17	VA2647-0011A	6-15, 8-15
VA0000S4363	1-11	VA2093-0013C	3-5	VA2275-0551A	4-13, 4-15	VA2647-0028A	6-17
VA0000S4364	1-11	VA2093-0016C	3-5	VA2302-0034A	9-15	VA2647-0029A	6-17
VA0000S4365	1-11	VA2094-0001A	3-29	VA2340-0002A	8-3	VA2722-0001A	1-3, 1-21
VA100430	6-3, 6-5, 6-11	VA2094-0004A	3-29	VA2340-0004A	6-7	VA2722-0009A	5-5
VA100836	6-13	VA2096-0020A	9-21, 9-23	VA2342-0018A	2-3	VA2722-0308	6-11
VA1010-0003A	9-5	VA2096-0021A	4-23, 9-21	VA2347-0015A	9-9, 9-11, 9-13, 9-17	VA2722-0319	6-11
VA101865	7-27	VA2096-0040A	9-23	VA2347-0016A	9-19	VA2722-0341	6-11, 6-13
VA102118	10-7	VA2097-0021A	3-3, 3-19	VA2347-0023A	6-17	VA2722-0344	6-11
VA102568	6-5	VA2099-0003A	1-15	VA2352-0001A	1-5, 1-19, 2-7, 3-17	VA2722-0415A	4-25, 9-9, 9-11, 9-13
VA103085	6-7, 6-9	VA2102-0026A	5-5	VA2352-0002A	1-19	VA2722-0417	1-3, 1-21, 3-7
VA104854	7-25	VA2102-0031A	5-5	VA2352-0003A	6-13	VA2722-0418	1-21
VA1361	7-27	VA2102-0035A	5-5	VA2352-0006A	8-11	VA2722-0418A	1-3, 3-3
VA1362	6-5	VA2102-0081A	5-5, 6-11	VA2352-0034	6-11	VA2722-0420	1-21
VA1363	6-7	VA2102-0088A	4-5	VA2353-0021A	4-25	VA2722-0421	1-17
VA13646-11, 6-13, 7-27, 9-19		VA2102-0090A	6-13	VA2372-0021A	1-3	VA2722-0424	3-7
VA1369	6-9	VA2102-0121A	4-5	VA2372-0031A	9-27	VA2722-0447	3-7
VA15697	7-25	VA2102-0122A	4-5	VA2383-0007B	4-9	VA2722-0450	1-19
VA15726	4-5	VA2104-0004A	4-13, 4-17	VA2385-0003A	5-5	VA2722-0517	1-3, 1-21
VA16020	6-15	VA2104-0007A	3-21, 3-23	VA2390-0001B	3-25	VA2722-0519A	3-3
VA16043	6-19	VA2104-0031A	4-11, 4-15	VA2390-0165A	2-11	VA2722-0526	1-21
VA16111	7-25	VA2104-0042A	9-15	VA2390-0166A	2-11	VA2722-0548	1-3
VA16131	1-3	VA2104-0043A	4-19	VA2390-0168A	2-11	VA2724-0002A	8-11
VA16132	1-3	VA2127-0002A	4-9	VA2390-0169A	2-11	VA2724-0003A	8-11
VA161704-27, 4-33, 4-37, 6-7, 6-9, 7-9, 8-3		VA2127-0012A	8-3, 8-7, 8-11, 8-17	VA2390-0170A	2-11	VA2724-0004A	8-11
VA16171	4-33, 4-38	VA2127-0013A	4-5	VA2390-0171A	2-11	VA2724-0006A	8-11
VA16189	4-5	VA2127-0017A	1-9, 8-3, 8-7, 8-19, 9-13, 9-15	VA2390-0172A	2-11	VA2727-0005A	1-9
VA16398	4-5	VA2127-0018A	4-11, 4-13, 4-15, 4-17	VA2390-0174A	2-11	VA2727-0006A	1-9
VA17389	8-4, 8-7	VA2127-0022A	6-7, 6-9, 9-27, 11-12	VA2390-0176A	2-11	VA2738-0007A	8-3
VA17834	2-21, 3-7, 6-7, 6-9					VA2738-0023A	8-3
VA2010-0008B	6-17					VA2738-0026A	6-19
VA2010-0010A	4-5					VA2738-0032A	6-19
VA2015-0002	8-17					VA2758-0001A	4-9



# PART NUMBER INDEX

Part Number	Page	Part Number	Page	Part Number	Page	Part Number	Page
VA2758-0002A.....	4-9	VA2910-0011A .....	6-13, 6-15	VA3386-2165A .....	6-13	VA38979 .....	11-6
VA2762-0001A.....	1-3	VA2910-0013A .....	8-7, 8-13	VA3386-2179A .....	6-3	VA3910-0002A .....	6-11
VA2762-0002A.....	1-3	VA2910-0014A .....	8-11	VA3386-2180A .....	6-3	VA3910-0028A .....	6-15
VA2764-0028 .....	10-3, 10-5	VA2910-0015A .....	8-3	VA3386-2181A .....	6-5	VA3910-0044A .....	6-13
VA2764-0032A.....	5-5	VA2910-0016A .....	6-17	VA3386-2182A .....	6-5	VA3910-0049A .....	6-11
VA2771-0003A.....	1-15, 5-3	VA2910-0018A .....	6-15	VA3386-2183A .....	6-5	VA3910-0050A .....	6-11
VA2773-0002A.....	3-21, 3-23	VA2910-0032A .....	9-19	VA3386-2184A .....	6-3, 6-5	VA3910-0092A .....	6-17
VA2779-0012A.....	2-19, 9-19	VA2910-0033A .....	4-9	VA3386-2185A .....	6-3	VA3910-0093C .....	6-19
VA2785-0018A.....	4-5	VA2910-0063A .....	6-19	VA3386-2186A .....	6-3	VA3910-0098B .....	7-25, 7-27, 7-31
VA2790-0008A.....	6-11	VA2910-0092A .....	6-7, 6-9	VA3386-2187A .....	6-3	VA3910-0101A .....	6-11
VA2790-0012A.....	1-17, 1-21, 9-9, 9-11, 9-13	VA2910-0093A .....	6-7	VA3386-2188A .....	6-5	VA3910-0110B .....	8-7, 8-13, 8-15, 9-29
VA2790-0014A.....	1-19, 2-5, 2-7	VA2910-0097A .....	8-11	VA3386-2189A .....	6-5	VA3910-0119C .....	7-25, 7-27, 7-35
VA2806-0018A.....	4-23, 9-21, 9-23	VA2910-0101A .....	4-5	VA3386-2190A .....	6-5	VA3910-0125B .....	7-25, 7-27, 7-35
VA2807-0091 .....	7-15	VA2910-0104A .....	6-13, 6-15	VA3386-3104A .....	3-25, 8-15	VA3910-0127A .....	7-25
VA2815-0001A.....	1-3	VA2910-0105A .....	5-5	VA3386-3108A .....	3-25, 8-15	VA3910-0127B .....	7-27
VA2832-0005A.....	3-21, 3-23	VA2910-0107C .....	6-19	VA3386-3127A .....	6-7, 6-9	VA3910-0128A .....	7-27
VA2833-0001A.....	3-3	VA2910-0112A .....	6-15	VA3386-3128A .....	3-5, 6-7	VA3910-0129B .....	7-25, 7-27
VA2836-0013B.....	4-19	VA2910-0116B .....	6-17	VA3386-3131A .....	5-5	VA3910-0130B .....	7-25, 7-27
VA2836-0014B.....	4-19	VA2910-0119A .....	8-7	VA3386-3132A .....	4-5, 4-6, 6-11	VA3910-0131B .....	7-25, 7-27
VA2836-0015B.....	4-19	VA2910-0120A .....	8-7	VA3386-3133A .....	4-5, 4-6, 5-5, 6-11, 6-13	VA3910-0132B .....	7-25, 7-27
VA2836-0018B.....	4-19	VA2910-0126B .....	7-25, 7-27, 7-33	VA3386-3154A .....	7-25, 7-27	VA3910-0135D .....	7-27
VA2840-0029B.....	4-23, 9-21	VA2910-0131A .....	6-17	VA3386-4167A .....	4-5, 6-11, 6-13, 9-19	VA3910-0140B .....	7-25, 7-27, 7-35
VA2840-0031B.....	9-21	VA2955-0002A .....	3-21, 3-23	VA3386-4168A .....	4-6, 9-19	VA3968-0001C .....	3-21, 3-23
VA2840-0048A.....	9-23	VA2998-0001A .....	1-3, 1-21	VA3386-4172A .....	9-19	VA4032-0271A .....	6-9
VA2840-0049A.....	9-23	VA2998-0005A .....	1-21	VA3386-6101A .....	1-9, 8-4, 8-7	VA4032-0650A .....	1-5
VA2842-0004A.....	11-12	VA2998-0013A .....	3-3, 3-19	VA3386-6102A .....	1-9, 8-4, 8-7	VA4032-0651A .....	1-5
VA2842-0022A.....	9-9, 9-11, 9-13, 9-27	VA2998-0026A .....	6-11, 6-13	VA3386-6103A .....	1-9, 8-4, 8-7	VA4032-0681A .....	1-5
VA2842-0024B.....	2-5	VA2998-0028A .....	4-25	VA3386-6104A .....	1-9, 8-4, 8-8	VA4032-0682A .....	1-5
VA2842-0026A.....	9-27	VA30132 .....	4-5	VA3401-0604 .....	7-25, 7-27	VA4032-0712A .....	2-23
VA2842-0028A.....	3-8	VA3090-0002A .....	4-19	VA3411-0806 .....	7-27	VA4032-0746A .....	1-5
VA2846-0003A.....	2-19, 2-23, 6-7, 6-9	VA3127-0004A .....	8-3, 9-33	VA3486-0006A .....	7-25, 7-27	VA4032-0903A .....	9-3
VA2846-0007A.....	10-5	VA3139-0007A .....	5-5	VA3587-0029B .....	3-7, 3-15	VA4034-0142A .....	8-11
VA2848-0028A.....	1-15	VA3139-0009A .....	5-5	VA3587-0030B .....	3-5, 3-13	VA4040-0004B .....	3-29
VA2848-0088A.....	5-5	VA3141-0005A .....	8-11, 8-13	VA36383 .....	2-5	VA4040-0005B .....	3-29
VA2848-0095A.....	4-6	VA3141-0007A .....	8-11	VA3717-0012A .....	2-3	VA4040-0008B .....	3-29
VA2848-0100A.....	4-6, 5-5	VA3141-0021D .....	4-23	VA3735-0020A .....	4-27	VA4040-0014A .....	9-3
VA2848-0118A.....	1-15, 5-3	VA3148-0020B .....	1-21	VA3735-0022D .....	4-31	VA4040-0021A .....	1-3
VA2848-0125A.....	9-13, 9-15	VA3148-0026B3-7 .....	3-19, 3-27	VA3741-0001A .....	4-6	VA4040-0039A .....	1-21
VA2849-0010A.....	10-3, 10-5	VA3148-0038A .....	2-19, 2-21, 7-15	VA3745-00032A .....	4-5, 7-19	VA4054-0375 .....	6-9
VA2862-0053A.....	6-15, 10-3, 10-5	VA3148-0052C .....	2-7, 7-11	VA3745-0033A .....	4-5, 7-19	VA4054-0474A .....	6-9
VA2862-0054A.....	6-15, 10-3, 10-5	VA3148-0062B .....	2-19, 7-17	VA3745-0034A .....	4-5, 7-19	VA4054-0562A .....	8-3
VA2862-0070A.....	10-3, 10-5	VA3148-0067C .....	2-5, 7-9	VA3745-0054A .....	4-5	VA4054-0567A .....	9-7
VA2880-0004A.....	11-11	VA3148-0068C .....	3-3, 3-11	VA3745-0055D .....	2-3, 7-21	VA4056-0005B .....	8-7
VA2896-0034A.....	10-3, 10-5	VA3290-0001C .....	4-25	VA3747-0006A .....	6-19	VA4082-0028A .....	6-3, 6-5, 6-7, 6-9
VA2897-0001A.....	1-3, 1-21	VA3290-0002C .....	4-25	VA3747-0009A .....	8-3, 9-31	VA4087-0011A .....	7-25, 7-27
VA2899-0001A.....	3-5, 8-11, 8-13, 8-15, 8-17	VA3305-0010B .....	4-19	VA3747-0016C .....	8-3, 8-7, 9-35	VA4089-0011B .....	9-25
VA2899-0007A.....	8-3, 8-19	VA3386-0117A .....	2-7, 6-13	VA3747-0020C .....	8-7, 9-37	VA4089-0012B .....	9-25
VA2899-0010A.....	8-21	VA3386-0124A .....	1-21	VA38164 .....	11-6	VA4089-0023A .....	1-6
VA2899-0013A.....	4-5	VA3386-1179A .....	6-13, 6-15	VA38176 .....	6-7, 6-9	VA4090-0189A .....	1-15
VA2899-0016A.....	6-17, 8-7	VA3386-1181A .....	6-15	VA3845-0001A .....	8-3	VA4090-0190A .....	1-15
VA2910-0008A.....	6-3, 6-5	VA3386-1184A .....	3-3	VA3845-0006A .....	8-7	VA4090-0314A .....	6-7, 6-9
VA2910-0009A.....	6-13, 6-15	VA3386-1185A .....	3-5, 3-19	VA3851-0002D .....	9-13	VA4090-0316A .....	2-7
		VA3386-1186A .....	3-5, 3-7	VA3851-0007D .....	9-13	VA4090-0318A .....	4-5
		VA3386-1188A .....	6-15	VA3852-0003A .....	4-19		
		VA3386-1189A .....	3-7	VA3852-0004A .....	4-19		
		VA3386-1199A .....	3-7	VA3852-0006D .....	4-19		
		VA3386-1200A .....	3-7	VA38555 .....	1-3		
		VA3386-1207A .....	2-3, 2-5				

# PART NUMBER INDEX



Part Number	Page	Part Number	Page	Part Number	Page	Part Number	Page
VA4090-0326A	5-5, 6-13	VA4302-0007A	3-17	VA4727-1043B	1-5	VA4892-0006A	9-11
VA4090-0329B	4-5	VA4302-0066A	1-3	VA4727-1049B	1-5	VA4895-0105A	3-19
VA4090-0353A	8-15	VA4302-0073A	1-3	VA4727-1050B	1-5	VA4895-0311A	9-17
VA4090-0468A	8-17	VA4302-0076A	1-6	VA4727-1097B	1-5	VA4895-0589A	4-11
VA4097-0008A	2-21	VA4345-0037A	9-13	VA4727-1098B	1-5	VA4895-0609A	4-13, 4-15
VA4097-0009A	2-5	VA4347-0142A	9-25	VA4727-1325B	1-5	VA4895-0612A	4-17
VA4097-0011A	2-21	VA4348-0012A	8-3	VA4740-0001	6-9	VA4895-0876B	2-23
VA4100-0002A	2-3	VA4352-0012A	6-13	VA4740-0006B	2-23	VA4895-1058A	9-3
VA4101-0006B	1-21	VA4352-0031A	8-3	VA4743-0001A	9-3	VA4895-1059A	9-3
VA4119-0012A	1-17	VA4389-0018A	4-5	VA4743-0002A	9-3	VA4895-1060A	9-3
VA4120-0234B	1-5	VA4389-0050A	8-3, 9-13	VA4743-0003A	9-3	VA4895-1061A	9-3
VA4120-0235B	1-5	VA4389-0055A	4-5	VA4762-0018B	3-21	VA4895-1062A	9-3
VA4120-0236B	1-5	VA4389-0058A	8-17	VA4762-0019B	3-21	VA4952-0009A	3-19
VA4120-0243B	1-5	VA4389-0059A	9-15	VA4762-0020B	3-23	VA5100-0012	8-4, 8-13
VA4120-0244B	1-5	VA4389-0108A	8-7	VA4762-0021B	3-23	VA5100-0016	6-11, 9-19
VA4120-0245B	1-5	VA4389-0114A	8-7	VA4762-0023A	3-3	VA5100-0032	6-17
VA4120-0337A	1-5	VA4389-0115A	8-7	VA4762-0034C	1-17	VA5100-0048	6-19
VA4120-0338A	1-5	VA4389-0126A	8-19	VA4762-0035C	1-17	VA5102-0032	6-17
VA4120-0387B	1-5	VA4389-0156A	8-3, 8-11	VA4762-0061C	1-17	VA5102-0040	8-21
VA4127-0016A	3-19	VA4389-0192A	8-3, 8-11	VA4762-0079A	6-9	VA5103-0012	8-4, 8-13
VA4127-0046B	2-23	VA4498-0003A	9-19	VA4762-0081C	2-9	VA5106-0012	8-13
VA4127-0064A	4-9	VA4502-0001B	1-3	VA4773-0001A	3-17	VA5106-0016	6-13
VA4129-0011A	3-7	VA4502-0031B	1-21	VA4784-0041A	1-3, 1-21	VA5108-0012	8-11
VA4129-0012A	3-7	VA4523-0020B	1-6	VA4784-0076A	3-7	VA5108-0032	6-19
VA4135-0034C	2-16	VA4525-0055A	2-5	VA4785-0003A	3-3	VA5109-0064	9-9, 9-11
VA4139-0020A	9-19	VA4525-0060A	6-11	VA4787-0004A	2-5	VA5112-0012	8-4, 8-11, 8-13, 8-15, 8-17
VA4139-0073A	1-3	VA4545-0114A	1-5	VA4804-0003B	3-21	VA5112-0024	1-9, 8-3, 8-19
VA4139-0077A	9-19	VA4545-0123A	1-5	VA4804-0004B	3-21	VA5112-0048	6-19
VA4139-0092A	9-9, 9-11	VA4702-0013A	9-7	VA4804-0012B	3-23	VA5113-0406	6-13
VA4139-0129B	2-3	VA4702-0014A	9-7	VA4804-0013B	3-23	VA5113-0408	2-7
VA4148-0001A	9-13	VA4702-0020C	9-5	VA4807-0023A	9-15	VA5113-1216	6-13
VA4160-0018A	11-6	VA4702-0050A	9-5	VA4820-0054A	1-3	VA5113-4832	6-19
VA4160-0019A	11-6	VA4702-0082A	9-5	VA4820-0063C	9-19, 9-21, 9-23	VA5114-3240	6-17
VA4160-0020A	11-6	VA4702-0083A	9-5	VA4820-0067A	6-9	VA5130-0024	8-3
VA4160-0026A	11-6	VA4702-0084A	9-5	VA4820-0069A	1-21	VA5158-0012	8-7
VA4160-0027A	11-6	VA4702-0085A	9-5	VA4820-0070A	1-21	VA5165-0016	6-15
VA4160-0060A	11-6	VA4702-0086A	9-5	VA4820-0086A	4-25	VA5175	1-9
VA4160-0068A	11-6	VA4717-1653B	4-9	VA4822	1-17	VA5178-0024	1-9
VA4160-0069A	11-6	VA4723-0029A	3-5	VA4822-0002A	3-19	VA5181-0024	1-9
VA4160-0072A	11-6	VA4723-0030A	1-19	VA4822-0018A	1-17	VA5182-2416	1-9
VA4160-0079A	11-6	VA4723-0077A	1-3	VA4822-0019A	1-17	VA5183-0024	1-9
VA4160-0080A	11-6	VA4723-0080A	1-5	VA4832-0007A	6-3, 6-5, 6-7, 6-9	VA5205-1201	8-4
VA4160-0125A	11-6	VA4723-0099A	1-19	VA4832-0079A	1-17	VA5205-1202	8-13
VA4160-0156A	11-6	VA4723-0101A	2-7	VA4837-0063A	9-21, 9-23	VA5205-1210	8-15
VA4160-0163A	11-6	VA4723-0102A	2-5, 2-7	VA4837-0092A	3-7	VA5205-1225	8-13
VA4160-0164A	11-6	VA4723-0104A	2-5	VA4837-0095A	3-7	VA5206-1603	9-19
VA4160-0165A	11-6	VA4723-0105A	2-7	VA4839-0002A	3-3	VA5206-1618	9-19
VA4160-0166A	11-6	VA4723-0108A	2-5	VA4843-0007B	9-19	VA5208-2401	8-3, 8-7
VA4160-0167A	11-6	VA4723-0118A	6-7	VA4846-0001A	9-19	VA5208-2406	8-4
VA4160-0168A	11-6	VA4723-0120A	6-7	VA4849-0056B	2-21	VA5208-2417	8-3
VA4160-0170A	11-6	VA4723-0146A	2-21	VA4849-0097A	4-9	VA5208-2420	8-19
VA4160-0171A	11-6	VA4723-0147A	2-21	VA4856-0002A	6-19	VA5208-2435	1-9
VA4160-0172A	11-6	VA4727-0180A	9-19	VA4880-0001B	11-11	VA5208-2474	1-9
VA4160-0176A	11-6	VA4727-0441A	2-3	VA4892-0001A	9-9	VA5208-2475	1-9
VA41894	11-6	VA4727-0735A	9-3	VA4892-0002A	9-17	VA5208-2476	1-9
VA4205-0034A	9-3	VA4727-0751A	9-3	VA4892-0003A	9-13	VA5208-2486	8-4
VA4220-0007A	6-17	VA4727-0866A	6-7, 6-9	VA4892-0005A	9-11	VA5208-2492	8-19
VA4220-0017A	6-19	VA4727-1040A	1-21			VA5209-3201	6-17
VA4277-0097A	1-6	VA4727-1041B	1-5				



# PART NUMBER INDEX

Part Number	Page	Part Number	Page	Part Number	Page	Part Number	Page
VA5209-3203	6-19	VA5406-0806	6-15	VA602521	1-15, 5-3	VA6162-0001C	2-19
VA5209-3204	6-17, 6-19	VA5406-1206	6-15	VA602522	1-15, 5-3	VA6162-0009C	1-6
VA5209-3206	6-19	VA5408-0606	6-15	VA602523	10-7	VA6162-0010C	1-6
VA5209-3243	6-19	VA5409-0404	6-13, 6-15, 7-25, 7-27	VA602524	10-7	VA6162-0013C	1-19
VA5211-4801	6-19	VA5409-0606	6-13, 6-15	VA602525	10-7	VA6162-0014C	1-19
VA5211-4811	6-19	VA5409-0808	6-3, 6-13	VA602526	10-7	VA6262-0001	6-7
VA5214-4004	8-21	VA5409-1212	6-7, 6-9, 6-15, 7-27, 8-7	VA602527	10-7	VA6272-0004A	4-21
VA5214-4018	8-21	VA5409-1616	6-11, 6-13	VA602528	10-7	VA6302-0001A	9-19
VA5214-4038	8-21	VA5410-1212	6-7, 6-9	VA602529	10-7	VA6302-0002A	2-19
VA5216-0011	8-7	VA5411-1006	6-15	VA602531	1-15	VA6343-0014A	9-9
VA5219-0008	8-7	VA5411-1012	4-5, 6-11, 6-13	VA602533	1-15, 5-3	VA6343-0015A	9-11, 9-13
VA5221-0001	8-7	VA5411-1016	4-5	VA602534	1-15, 5-3	VA6345-0008B	9-17
VA5241-0009	8-17	VA5411-1212	6-11, 6-13	VA602535	1-15, 5-3	VA6345-0013A	8-3
VA5241-0037	8-17	VA5411-1216	6-11, 6-13	VA602536	1-15, 5-3	VA6353-0007D	11-11
VA5244-0006	8-8	VA5411-1406	3-5	VA602537	1-15, 5-3	VA6353-0008D	11-11
VA5244-0013	8-7	VA5414-1212	6-9, 6-15	VA602538	1-15, 5-3	VA6353-0009D	11-11
VA5303-0409	8-3	VA5417-0606	7-25, 7-27	VA602539	1-15, 5-3	VA6353-0010D	11-11
VA5303-0435	1-21	VA5418-0008	7-3, 7-5	VA602547	1-15	VA6353-0018D	2-19
VA5303-2012	8-3	VA5418-0010	7-3, 7-5	VA602548	1-15	VA6360-0031B	9-11
VA5308-1215	6-9	VA5422-0407	4-5	VA602549	1-15	VA6383-0002	1-17
VA5309-1219	6-9	VA5426-0402	4-5	VA602550	1-15	VA6387-0055A	2-11
VA5355-1203	8-4	VA5428-0302	4-5	VA602562	1-15, 5-3	VA6387-0056A	2-11
VA5355-1205	8-4	VA5432-0808	6-5	VA6040-0010B	3-3	VA6387-0057A	2-11
VA5356-1215	8-11	VA5443-1212	6-9	VA6040-0012B	3-3	VA6387-0058A	2-11
VA5358-2406	1-9	VA5600-0608	7-25	VA6040-0015A	3-3	VA6387-0060A	2-11, 2-19
VA5361-4813	6-19	VA5644-1212	7-25	VA6040-0028C	2-21	VA6387-0061A	2-11
VA5370-3204	6-17	VA5709-0024	8-7	VA6040-0029C	2-19, 2-21	VA6387-0062A	2-11
VA5400-0012	7-25, 7-27	VA5711-2424	8-7	VA6040-0030B	2-23	VA6387-0085A	2-11
VA5400-1212	5-5	VA5715-1212	8-7, 8-17	VA6053-0004C	2-9	VA6387-0086A	2-11
VA5401-0008	6-13	VA5715-2424	8-7	VA6053-0006C	2-9	VA6387-0087A	2-11
VA5401-0404	1-21, 2-7, 6-13	VA5717-1208	8-17	VA6053-0008C	2-9	VA6387-0097A	2-19
VA5401-0406	6-13	VA5719-1212	8-17	VA6053-0012C	2-9, 3-25	VA6387-0103A	9-27
VA5401-0606	2-3, 2-5, 3-3, 3-5, 3-7, 3-19, 6-15	VA5722-1208	8-17	VA6053-0010C	2-9	VA6425-0001A	9-11
VA5401-0808	6-3, 6-5, 6-11, 7-25, 7-27	VA5724-0024	8-8	VA6087-0030D	2-5	VA6502-0009C	1-3
VA5401-1212	4-6, 5-5, 6-7, 6-9, 6-11, 6-13, 6-15, 8-7	VA5729-1208	8-7	VA6092-0020B	3-7	VA6502-0010C	1-3
VA5401-1612	6-7	VA5731-0024	8-8	VA6103-0003A	2-11	VA6502-0016C	1-3
VA5401-1616	6-11, 6-13, 6-15, 9-19	VA5735-0048	9-13	VA6103-0012A	2-11	VA6525-0007B	3-19
VA5402-0406	6-15	VA5741-0024	8-7	VA6104-0002A	8-21	VA6525-0008C	3-19
VA5402-0606	6-15	VA5742-0012	8-7	VA6104-0003A	1-9, 8-4, 8-7, 8-19	VA6525-0009C	3-19
VA5402-1208	6-13	VA5742-0024	8-7, 9-13	VA6116-0003A	3-19	VA6525-0010C	3-19
VA5402-3232	6-17	VA5743-0024	8-8	VA6116-0009A	3-3	VA6525-0011C	3-19
VA5403-0806	7-25, 7-27	VA6009-0009C	3-17	VA6116-0010A	2-11	VA6525-0012C	3-19
VA5403-08086-11, 7-25, 7-27		VA6009-0010C	3-17	VA6116-0021A	2-7	VA6525-0013C	3-19
VA5403-1006	3-5, 3-7, 6-13	VA601788	1-11	VA6116-0023A	2-19	VA6525-0036C	6-7, 6-9
VA5403-1008	6-5, 6-13	VA6018-0025A	4-9	VA6116-0025A	2-19	VA6525-0043B	3-19
VA5403-1012	4-5, 6-11, 6-13, 6-15	VA6018-0029D	4-9	VA6127-0001C	2-9, 2-19, 11-11	VA6552-0003A	1-9
VA5403-1212	7-27	VA601888	1-17	VA6127-0001C	2-9, 2-19, 11-11	VA6626-0448C	2-16
VA5404-0606	6-13, 6-15	VA601922	1-17	VA6127-0002C	2-9, 11-11	VA6626-0648C	2-16
VA5404-0808	6-5, 6-13	VA602041	1-15	VA6127-0007C	2-9, 11-12	VA6626-0848C	2-16
VA5405-0606	6-15	VA602043	1-15	VA6127-0008C	2-9, 11-11	VA6626-1048C	2-16
VA5406-0604	1-21, 6-15	VA602044	1-15, 5-3	VA6127-0009C	2-9, 11-11	VA6626-1248C	2-16
VA5406-0616	6-15	VA602213	1-17	VA6127-0012C	3-25	VA6635-0008B	3-5
		VA602221	1-17	VA6127-0017A	1-3	VA6635-0010D	3-21, 3-25
		VA602402	1-17	VA6132-0006C	2-9	VA6635-0020D	3-23, 3-25
		VA602405	1-17	VA6132-0008C	2-9	VA6635-0021D	3-23, 3-25
		VA602465	1-17	VA6132-0012C	2-9	VA6635-0050A	8-11
		VA602516	10-7	VA6132-0010C	2-9	VA6635-0059A	8-17
				VA6139-0031C	5-5	VA6704-0001C	9-7
						VA6704-0006B	9-7



# PART NUMBER INDEX



Part Number	Page	Part Number	Page	Part Number	Page	Part Number	Page
VA6704-0020C	9-5	VA6895-0020D	1-5	VA8092-0392C	3-5	VA8391-0033D	9-19
VA6705-0070A	7-25	VA6895-0021D	1-5	VA8092-0393C	3-5	VA8496-0049A	3-3
VA6705-0070D	10-3	VA6896-0009C	11-11	VA8092-0396B	6-7, 6-9	VA8504-0005A	1-5
VA6705-0086A	10-5	VA6896-0014C	11-11	VA8092-0397C	3-5	VA8512-0003B	9-7
VA6705-0086D	7-27	VA6896-0024C	11-11	VA8092-0398C	3-17	VA8512-0006B	9-7
VA6717-0025B	2-3	VA6896-0027C	6-7, 6-9	VA8092-0399C	3-17	VA8514-0027A	4-25
VA6725-0167C	8-21	VA6896-0039B	11-11	VA8092-0420B	2-23	VA8514-0028A	4-25
VA6725-0201C	8-19	VA6968-0002B	3-21, 3-23	VA8096-0001A	2-5	VA8522-0005C	3-21, 3-23
VA6725-0202C	8-19	VA8009-0031C	3-5	VA8105-0003B	1-3	VA8522-0006C	3-21, 3-23
VA6725-0203C	8-19	VA8009-0067C	3-5	VA8105-0004B	1-3	VA8524-0015B	3-19
VA6727-0010C	3-7	VA8009-0068A	9-15	VA8127-0014B	2-23	VA8552-0003C	3-25, 11-11
VA6739-0002A	6-19	VA8009-0406C	2-9	VA8127-0035B	1-3	VA8552-0016C	11-11
VA6740-0007B	6-7	VA8009-0408C	2-9	VA8129-0001A	2-5	VA8552-0018C	11-11
VA6740-0010D	2-23	VA8009-0412C	2-9	VA8138-0001B	3-17, 3-25	VA8552-0020C	11-11
VA6740-0013	1-17	VA8009-0410C	2-9	VA8138-0022A	3-7	VA8552-0025C	7-25, 7-27
VA6763-0008	1-17	VA8009-1206C	2-9	VA8139-0009A	2-19, 11-11	VA8635-0003D	3-21
VA6763-0009	1-17	VA8009-1208C	2-9	VA8139-0093D	9-19	VA8635-0009D	3-23
VA6787-0004A	2-5	VA8009-1210C	2-9	VA8139-0099C	1-3	VA8635-0010D	3-23
VA6800-0001C	2-9	VA8009-1212C	2-9	VA8139-0102A	1-3	VA8635-0024B	11-11
VA6801-0017A	1-3	VA8040-0018B	3-19	VA8139-0104C	9-25	VA8722-0023A	3-19
VA6807-0010D	1-9	VA8040-0037B	3-3	VA8139-0105C	9-27	VA8722-0024A	3-19
VA6807-0013D	1-9	VA8040-0045C	2-7	VA8140-0004B	2-9	VA8722-0025A	3-19
VA6807-0014D	1-9	VA8040-0047B	3-3	VA8140-0006B	2-9	VA8722-0026A	3-3, 3-19
VA6807-0016D	1-9	VA8040-0056B	2-5	VA8140-0008B	2-9	VA8722-0027A	3-3
VA6821-0001A	6-9	VA8040-0057A	8-3	VA8140-0012C	2-9	VA8722-0028A	3-3
VA6822-0014D	9-27	VA8040-0065D	6-9	VA8140-0010C	2-9	VA8722-0032A	2-5
VA6822-0015D	9-25	VA8040-0066B	1-21	VA8162-0003C	3-21	VA8722-0043A	1-5
VA6822-0016D	9-27	VA8040-0084B	3-19	VA8162-0013C	3-23	VA8722-0044A	1-19
VA6845-0002C	6-19	VA8040-0093D	2-19, 2-23	VA8162-0018C	1-19	VA8722-0045A	2-5
VA6846-0002A	4-13, 4-15, 4-17	VA8040-0094D	2-19, 2-23	VA8162-0019C	1-19	VA8722-0052A	1-5
VA6846-0003A	4-11	VA8047-0001B	3-21, 3-23	VA8162-0020C	1-19	VA8722-0058A	3-19
VA6852-0056D	1-17	VA8052-0004B	1-5	VA8162-0021C	1-19	VA8722-0062A	3-7
VA6852-0057D	1-17	VA8052-0005B	1-5	VA8162-0027C	1-6	VA8724-0031A	8-19
VA6852-0072D	1-17	VA8052-0010C	1-19	VA8162-0028C	1-6	VA8724-0032A	8-19
VA6852-0073D	1-17	VA8054-0014C	9-21, 9-23	VA8290-0113D	9-7	VA8724-0035A	8-19
VA6852-0074D	1-17	VA8060-0002A	1-21	VA8290-0116D	9-7	VA8725-0002B	3-19
VA6852-0075D	1-17	VA8060-0003A	1-21	VA8290-0120C	9-27	VA8726-0015A	11-11
VA6854-0150D	9-15	VA8085-0094B	2-7	VA8290-0121C	9-27	VA8726-0017A	3-17
VA6854-0151D	9-15	VA8087-0007C	2-5	VA8290-0161D	9-7	VA8726-0018A	3-17
VA6854-0175D	9-15	VA8092-0101B	3-19	VA8290-0169C	3-7	VA8726-0051B	6-19
VA6854-0176D	9-15	VA8092-0102C	3-19	VA8290-0184C	2-3	VA8726-0058D	7-25, 7-27
VA6854-0210D	9-15	VA8092-0103D	3-3	VA8347-0028B	8-3, 8-7	VA8740-0006A	1-19
VA6854-0211D	9-15	VA8092-0131B	3-21	VA8347-0032C	8-3	VA8740-0011B	2-23
VA6854-0300D	9-11	VA8092-0137C	3-19	VA8347-0046B	9-11	VA8762-0015A	1-6
VA6854-0301D	9-11	VA8092-0141D	3-3	VA8347-0052C	3-7	VA8762-0806C	11-11
VA6854-0302D	9-11	VA8092-0147C	3-5	VA8347-0054C	2-21	VA8762-1008C	11-11
VA6854-0376C	2-19, 9-17	VA8092-0149C	3-5	VA8347-0055C	2-23	VA8762-1206C	11-11
VA6854-0400D	9-9	VA8092-0151C	3-5	VA8348-0028B	2-19, 2-23	VA8762-1208C	11-11
VA6854-0401D	9-9	VA8092-0154C	3-3	VA8349-0006B	2-23	VA8762-1210C	11-11
VA6854-0402D	9-9	VA8092-0155C	3-3	VA8349-0007B	2-23	VA8768-0009B	1-19
VA6854-0440D	9-11	VA8092-0166D	3-3, 3-19	VA8349-0009C	2-23	VA8768-0018A	1-5
VA6854-0441D	9-11	VA8092-0217B	3-23	VA8352-0019B	1-3	VA8768-0019A	1-5
VA6854-0442D	9-11	VA8092-0310C	6-7, 6-9	VA8352-0026B	6-11	VA8770-0001D	11-11
VA6854-0450C	9-15	VA8092-0320A	2-7	VA8354-0005B	3-29	VA8785-0024A	4-25
VA6854-0475C	9-15	VA8092-0362A	1-15	VA8354-0007B	3-29	VA8800-0001C	2-9
VA6854-0480C	9-15	VA8092-0369C	3-19	VA8372-0020A	6-7, 6-9	VA8800-0002C	2-9
VA6875-0009B	4-5	VA8092-0383C	3-3, 3-19	VA8387-0004A	11-11	VA8803-0001B	3-17
VA6895-0019D	2-19	VA8092-0384C	3-3, 3-19	VA8391-0029D	9-27	VA8803-0002B	3-17
		VA8092-0390B	3-7	VA8391-0030D	9-27	VA8808-0001B	11-11



# PART NUMBER INDEX

Part Number	Page	Part Number	Page	Part Number	Page	Part Number	Page
VA8810-0020C	1-6	VA8875-1220C	2-15	VA8997-0078B	11-11	VA9132-0004A	4-27
VA8810-0025C	1-6	VA8875-1224C	2-15, 2-19	VA8997-0079B	11-11	VA9132-0005	4-27
VA8810-0026C	1-6	VA8875-1248C	2-15	VA9040-0007	6-3, 6-5	VA9132-0006A	4-37
VA8820-0027A	3-8	VA8875-1256C	2-15	VA9040-0030	6-5	VA9132-0007	4-37
VA8824-0002D	9-25	VA8875-1272C	2-15	VA9054-0002	7-15	VA9136-0001	4-31
VA8840-0001C	9-19	VA8875-1292C	2-15	VA9056-0007	7-7	VA9139-0020	7-23
VA8840-0002C	9-19	VA8875-1296C	2-15	VA9056-0010	3-13, 3-15	VA9139-0021	7-23
VA8841-0002A	9-11	VA8876-0612C	2-16	VA9063-0021	3-21, 3-23	VA9139-0022	7-19
VA8842-0001A	11-12	VA8876-0620C	2-15	VA9063-0025	9-35	VA9139-0041C	7-23
VA8848-0030A	9-11	VA8876-0624C	2-16	VA9063-0033	4-33	VA9139-0042C	7-23
VA8848-0032A	9-11	VA8876-0648C	2-16	VA9063-0034	4-27, 4-33	VA9139-0046	3-13, 3-15
VA8848-0033A	9-9	VA8876-0656C	2-15	VA9063-00354-23	4-27, 4-37	VA9148-0004B	6-7, 6-9, 7-7
VA8848-0038A	9-11	VA8876-0672C	2-16	VA9063-0057	7-19	VA9148-0005A	6-3, 7-5
VA8848-0042B	9-13	VA8876-0692C	2-15	VA9063-0078	4-38	VA9148-0006A	6-5, 7-3
VA8848-0047A	9-15	VA8876-0696C	2-16	VA9063-0079	9-37	VA9179-0005	4-31
VA8848-0048A	9-15	VA8876-0812C	2-16	VA9063-0081	4-31	VA9179-0009A	7-25, 7-27
VA8848-0049A	9-15	VA8876-0824C	2-16	VA9063-0082	4-31	VA9260-0008	4-9
VA8849-0040A	1-21	VA8876-0848C	2-16	VA9083-0020	4-38	VA9260-0009	4-9
VA8849-0045B	1-15	VA8876-0856C	2-15	VA9084-0001	3-13, 3-15	VA9273-0001	4-28, 4-37
VA8849-0049B	2-19, 2-23	VA8876-0872C	2-16	VA9084-0002	4-31	VA9273-0002	4-31
VA8849-0054C	2-21	VA8876-0892C	2-15	VA9084-0003	4-31	VA9273-0003	4-31
VA8852-0076D	9-11	VA8876-0896C	2-16	VA9084-0004	4-31	VA9274-00014-27	4-33, 4-37
VA8852-0077D	9-11	VA8876-1024C	2-16	VA9085-0016	7-19	VA9274-00024-27	4-33, 4-37
VA8852-0078D	9-11	VA8876-1048C	2-16	VA9085-0025	7-11	VA9290-0005	9-35
VA8852-0082D	9-9	VA8876-1056C	2-15	VA9085-0030	7-33	VA9290-0008	9-37
VA8852-0083D	9-9	VA8876-1092C	2-15	VA9085-0034	3-13	VA9290-0009	6-3
VA8852-0084D	9-9	VA8876-1096C	2-16	VA9085-0035	4-31, 7-21	VA9290-0010	6-3
VA8852-0085D	9-11	VA8876-1212C	2-15	VA9085-0038	3-11	VA9290-0011D	6-5
VA8852-0086D	9-11	VA8876-1220C	2-15	VA9092-0008	4-38	VA9290-0012	6-5
VA8852-0087D	9-11	VA8876-1224C	2-15	VA9100-0001A	7-21	VA9305-0001B	4-5
VA8852-0088E	9-17	VA8876-1248C	2-15	VA9104-0027	7-5	VA9305-0002B	4-5
VA8854-0037D	1-17	VA8876-1256C	2-15	VA9104-0028	7-3	VA9305-0004B	4-5
VA8854-0039D	1-17	VA8876-1272C	2-15	VA9110-0004B	6-11	VA9305-0009	4-38
VA8854-0043D	1-17	VA8876-1292C	2-15	VA9110-0005B	6-11	VA9305-0011A	4-5
VA8854-0044D	1-17	VA8876-1296C	2-16	VA9110-0006	9-37	VA9314-0025	7-19
VA8854-0045D	1-17	VA8876-1297C	2-15	VA9110-0008	7-25, 7-27	VA9314-0026	7-19
VA8875-0612C	2-15	VA8890-0005C	1-5	VA9110-0010	7-25, 7-28	VA9314-0027	7-19
VA8875-0620C	2-15	VA8890-0006C	1-5	VA9110-0011	7-27	VA9327-0001	7-7
VA8875-0624C	2-15	VA8890-0007C	1-5	VA9110-0014	7-25, 7-27	VA9327-0004	7-17
VA8875-0648C	2-15	VA8890-0008C	1-5	VA9111-0001A	4-38	VA9327-0005	7-9
VA8875-0656C	2-15	VA8890-0009C	1-5	VA9125-0001	4-31	VA9327-0006	7-9
VA8875-0672C	2-15	VA8890-0010C	1-5	VA9127-0001	9-35	VA9348-0009	7-15
VA8875-0692C	2-15	VA8890-0011C	1-5	VA9127-0002A	4-33	VA9348-0017	3-11
VA8875-0696C	2-15	VA8897-0052A	1-9	VA9127-0008A	4-37	VA9372-0002	6-3
VA8875-0812C	2-15	VA8897-0053A	1-9	VA9127-0009	9-37	VA9372-0003	6-5
VA8875-0820C	2-15	VA8897-0054A	1-9	VA9127-0010A	4-27	VA9386-0002A	4-27, 4-33
VA8875-0824C	2-15	VA8897-0173B	1-6	VA9127-0011	4-31	VA9386-0003	4-27, 4-33
VA8875-0848C	2-15	VA8897-0175B	1-6	VA9130-0010	9-35	VA9386-0007A	4-37
VA8875-0856C	2-15	VA8913-0001B	9-15	VA9130-00187-25	7-27, 7-31	VA9386-0008	4-37
VA8875-0872C	2-15	VA8968-0007D	9-19	VA9130-0020	9-37	VA9391-0013	9-35
VA8875-0892C	2-15	VA8990-0002A	9-9, 9-11, 9-13, 9-27	VA9130-0021	7-21	VA9391-0015	4-34
VA8875-0896C	2-15	VA8997-0071B	11-11	VA9130-0022A	7-25, 7-27, 7-35	VA9391-0016	4-28
VA8875-1024C	2-15	VA8997-0072B	11-11	VA9130-0023A	7-25, 7-27, 7-28	VA9391-0027	7-7
VA8875-1048C	2-15	VA8997-0073B	11-11	VA9130-0024A	7-25, 7-27	VA9391-0028	7-7
VA8875-1056C	2-15	VA8997-0074B	11-11	VA9130-0025	9-29	VA9391-0029	4-37
VA8875-1072C	2-15	VA8997-0075B	11-11	VA9132-0002A	4-33	VA9391-0036	9-37
VA8875-1092C	2-15	VA8997-0076B	11-11	VA9132-0003	4-33	VA9391-0037	7-5
VA8875-1096C	2-15	VA8997-0077B	11-11			VA9391-0038	7-3
VA8875-1212C	2-15					VA9391-0039	4-31

# PART NUMBER INDEX



Part Number	Page	Part Number	Page	Part Number	Page	Part Number	Page
VA9391-00427-25, 7-27, 7-35		VA9525-0010	4-31	VA9727-0038	4-38	VA9820-0050	7-3
VA9391-0043	7-9	VA9534-0004	4-31	VA9727-0043	3-13, 3-15	VA9820-0051	3-15
VA9405-0001	3-13, 3-15	VA9534-0005	4-31	VA9727-0044	4-31	VA9820-0052	3-13
VA9420-0006	9-35	VA9536-0001	4-33	VA9727-0045	4-31	VA9820-0053	4-31
VA9420-0007	9-37	VA9536-0002	4-27	VA9727-0046	4-31	VA9820-0054	4-31
VA9467-0060	4-31	VA9585-0009A	7-21	VA9729-0024A	7-25	VA9820-0056	7-17
VA9486-0008A	9-35	VA9585-0010	4-6	VA9729-0028A	7-25	VA9822-0008	4-33
VA9486-0015	7-23	VA9647-0027	7-15	VA9734-0004A	7-25, 7-27	VA9822-0009	4-27
VA9486-0033A	7-23	VA9647-0031	4-33	VA9738-0009	4-38	VA9822-0026	4-37
VA9486-0035A	7-19	VA9647-00324-27, 4-33, 4-37		VA9738-0014	3-13, 3-15	VA9822-0027	4-38
VA9486-0054A	7-7	VA9647-00334-27, 4-33, 4-37		VA9742-0001	9-35	VA9826-0005A	7-21
VA9486-0063A	9-27	VA9647-0034	4-27	VA9742-0003	9-37	VA9827-0001A	4-33
VA9486-0064A	9-27	VA9647-0035	7-15, 7-31	VA9755-0002	4-6	VA9827-0002	4-33
VA9486-0065A	9-27	VA9647-0036	7-25, 7-27	VA9762-0001	4-27, 4-33	VA9827-0005	4-27
VA9486-0066A	9-27	VA9647-0050	7-7	VA9762-0004	4-38	VA9827-0009A	4-37
VA9486-0067A	9-27	VA9647-0051	7-7	VA9765-0002A	4-6, 10-3, 10-5, 10-7	VA9827-0010	4-37
VA9486-0068A	9-27	VA9647-0052	4-37			VA9827-0011	4-37
VA9486-0069A	9-25	VA9647-0054	7-11	VA9768-0030	4-31	VA9827-0013A	4-27
VA9486-0070A	9-25	VA9647-0056	9-37	VA9772-0014	4-33	VA9827-0014A	4-27
VA9486-0071A	9-25	VA9647-0057	7-3, 7-5	VA9772-0015	4-27, 4-37	VA9827-0016	4-31
VA9486-0083A	8-3, 9-33	VA9647-0059	4-31	VA9772-0016	4-27, 4-37	VA9827-0017	4-31
VA9486-0110B	9-31	VA9647-0062	7-9	VA9772-0033	4-37	VA9829-0004	9-37
VA9486-0112A	7-11	VA9690-0013	3-27	VA9772-0034	4-37	VA9832-0034	3-27
VA9486-0115A	7-23	VA9690-0014	3-27	VA9772-0038	7-11	VA9832-0035	3-27
VA9486-0119A	7-5	VA9690-0038A	7-25, 7-27	VA9772-0041	3-13, 3-15	VA9832-0066	7-15
VA9486-0120A	7-3	VA9704-0022	7-23	VA9772-0047	4-31	VA9837-0002	9-35
VA9486-0121A	7-3, 7-5	VA9722-0008	4-33	VA9772-0048	4-31	VA9837-0003	9-35
VA9486-0124A	6-17	VA9722-0009	4-33	VA9772-0049	4-31	VA9837-0020	7-7
VA9486-0128A	3-13, 3-15	VA9722-00104-27, 4-33, 4-37		VA9772-0050	4-31	VA9837-0022	9-37
VA9486-0129A	9-29	VA9722-0011	4-27, 4-37	VA9772-0051	4-31	VA9837-0023	7-17
VA9486-0140B	7-21	VA9722-0012	4-27, 4-37	VA9785-0007	3-27	VA9839-0004	7-7
VA9486-0141B	7-21	VA9722-0013	7-15	VA9785-0011	7-15	VA9841-0007	9-35
VA9486-0142B	7-21	VA9722-0014	7-15	VA9785-0012	7-15	VA9841-0008	9-35
VA9486-0143B	7-21	VA9722-0020	6-9	VA9785-0020	7-7	VA9841-0009	3-27
VA9486-0147	9-37	VA9722-0021	6-9	VA9785-0030	7-9	VA9841-0013	9-37
VA9486-0153A	7-9	VA9722-0022A	6-7, 6-9	VA9803-0019	4-37	VA9841-0014	9-37
VA9486-0158A	3-11	VA9722-0024	7-19	VA9803-0024	7-17	VA9842-0010	4-33
VA9498-0010	4-33	VA9722-0030	6-3	VA9805-0004	8-3	VA9842-0011	4-33
VA9498-0011	4-33	VA9722-0031	6-3	VA9805-0005	8-7	VA9842-0012	4-27, 4-37
VA9498-00124-28, 4-34, 4-37		VA9722-0032	6-5	VA9812-0036	4-27, 4-33	VA9842-0030	4-31
VA9498-0014	4-27	VA9722-0034	4-31	VA9812-0037	4-27, 4-33	VA9842-0031	4-31
VA9498-0015	4-27, 4-38	VA9722-0035	4-31	VA9812-00384-28, 4-33, 4-37		VA9847-0014A	7-23
VA9498-0017	7-19	VA9723-00044-27, 4-33, 4-37		VA9812-0039	4-38	VA9848-0010	4-6
VA9498-0021	4-37	VA9723-00054-27, 4-33, 4-37		VA9812-0040	4-27, 4-33	VA9848-0015	4-5
VA9498-0022	4-38	VA9725-0009	7-15	VA9812-0050	7-19	VA9895-0010	7-15
VA9498-0024	9-37	VA9725-0018	7-7	VA9812-0051	7-19	VA9895-0032A	7-25, 7-27, 7-31
VA9498-0025	3-7, 3-15	VA9725-0023	7-17	VA9812-0056	4-37		
VA9498-0026	3-13	VA9725-0024	3-11	VA9812-0057	4-38	VA9895-0037	4-31
VA9498-0027	4-31	VA9727-0008	4-33	VA9812-0063	7-3, 7-5	VA9895-0039	7-17
VA9498-0028	4-31	VA9727-0009	4-33	VA9812-0068	4-31	VA9910-0066C	7-23
VA9498-0029	4-31	VA9727-0010	4-33	VA9820-0014	9-35	VA9910-0074	7-33
VA9514-0002	4-37	VA9727-0011	4-33	VA9820-0017	4-33	VA9910-0075	7-33
VA9514-0003	4-27, 4-37	VA9727-0014	4-27	VA9820-0018	4-34	VA9910-0077	3-13, 3-15
VA9514-0006	4-31	VA9727-0015	4-27	VA9820-0019	4-27	VA9910-0078A	7-21
VA9514-0007	4-31	VA9727-0016	4-27, 4-37	VA9820-0020	4-28, 4-37	VA9910-0079A	7-21
VA9525-0004	4-33	VA9727-0017	4-27, 4-37	VA9820-0044	4-38	VA9939-0001	9-31
VA9525-0005	4-33	VA9727-0034	4-37	VA9820-0046	7-11	VA9946-0003	4-27
VA9525-0006	4-27, 4-37	VA9727-0036	4-37	VA9820-0048	9-37	VA9952-0043	4-27, 4-37
VA9525-0009	6-13	VA9727-0037	4-37	VA9820-0049	7-5	VA9952-0071	9-37



# PART NUMBER INDEX

Part Number	Page	Part Number	Page	Part Number	Page	Part Number	Page
VA9952-0075	4-31	VAE-538-12	11-11	VAF0960	3-23	VAF4077	2-5
VA9954-0001	4-27, 4-33	VAE-538-6	11-11	VAF0979	3-21, 3-23	VAF4117	1-3
VA9954-0003	4-33	VAE-538-8	11-11	VAF0980	2-5, 3-5, 3-19	VAF4215	9-25
VA9954-00044-27, 4-33, 4-37		VAE-5975-11	7-13	VAF0981	9-19	VAF4423	1-9
VA9954-0005	4-37	VAE-5975-12	7-13	VAF1010	3-7, 9-15	VAF480	5-5
VA9954-0006	4-31	VAE-5975-13	7-13	VAF1035	3-29, 8-3	VAF4910	9-19
VA9954-0007	4-31	VAE-5975-2	7-13	VAF1037	3-5	VAF4912	9-19
VA9954-0008	4-31	VAE-5975-6	7-13	VAF1061	3-5	VAF5000	9-27
VA9974-0007	7-3, 7-5	VAE-5975-9	7-13	VAF1126	6-7, 8-3	VAF5185	3-23
VA9990-0003	4-33	VAE5975SK	7-13	VAF1200	6-3, 6-5	VAF5483	3-21, 3-23
VA9990-0004	4-33	VAE-620-42	4-33	VAF1227	6-7	VAF5675	1-6
VA9990-0005A	4-33	VAE-6708	2-19, 2-21, 7-13	VAF1300	2-21	VAF6355	3-3
VA9990-0006	4-27	VAE-6708-4	7-13	VAF1350	2-21, 6-9	VAF6670	5-5
VA9990-0007	7-15	VAE-6708-8	7-13	VAF1400	6-7	VAF6750	3-7
VA9990-0010	4-37	VAE-6717	4-37	VAF1450	9-25	VAF6760	2-5, 3-7, 3-21, 3-23
VA9990-0011	4-31	VAE-6759	4-6	VAF1631	2-21, 3-19, 4-5	VAF6900	3-7
VAC2000631	1-17	VAE-6762-11	4-6	VAF1650	3-19	VAF6910	3-7
VAE-1056A	2-11	VAE-6762-12	4-6	VAF1900	3-7	VAF6940	2-21
VAE-1057P	2-11	VAE-6762-20	4-5	VAF1916	6-3, 6-5	VAF7025	2-21
VAE-1169-10A	6-7	VAE-6762-3	4-5	VAF1965	3-19	VAF7075	2-3, 3-7, 3-21, 3-23, 8-3, 8-17
VAE-1169-7	6-7	VAE-6762-4	4-5	VAF1976	4-25	VAF7100	2-5, 3-5, 4-5, 6-9
VAE-1169-9B	6-7	VAE-6762-7	4-6	VAF2223	9-21, 9-23	VAF7125	8-13
VAE-1234	2-11	VAE-6885	4-11, 4-13, 4-15, 4-17	VAF2350	9-11	VAF7175	2-3, 3-23
VAE-1238P	2-11	VAE-6935	4-6	VAF2625	8-3	VAF7195	8-19
VAE-1239P	2-11	VAE-7000	2-9	VAF2725	2-3, 2-5, 3-5, 3-21, 3-23, 4-5, 6-9, 8-3, 8-13, 8-17	VAF7250	1-6, 1-21, 2-21, 3-3, 4-5, 4-25, 8-7, 8-21
VAE-1241P	2-11	VAE7015	5-5	VAF2740	8-7	VAF7255	3-17, 3-19
VAE-1243P	2-11	VAE-7330	4-5	VAF2850	2-3, 8-19	VAF7275	3-3, 3-5, 6-13
VAE-1369P	2-11	VAE-793	11-11	VAF29751-6	1-21, 3-17, 3-29, 4-5, 4-25, 6-13, 8-7, 9-9, 9-11, 9-27	VAF7325	3-3
VAE-1404P	2-11	VAE-794	11-11	VAF2990	3-5	VAF7350	3-7, 3-19, 6-3, 6-5, 9-9, 9-11, 9-13, 9-25, 9-27
VAE-1406P	2-11	VAE-809-12	2-15	VAF3025	3-19	VAF73603-7	3-21, 3-23, 3-29
VAE-1596A-12	11-11	VAE-909-12	2-16	VAF3075	3-23, 8-21	VAF7375	2-5, 3-5
VAE-1597A-12	11-11	VAE-909-72	2-16	VAF3100	3-21, 9-19	VAF7400	8-3
VAE-1979-1	6-7	VAE-921-20	2-15	VAF3180	3-3	VAF7425	2-21, 9-25
VAE-1979-2	6-7	VAE-922-20	2-15	VAF3185	3-29	VAF7500	3-7, 4-25
VAE-2517-12	6-7	VAF0002	9-15	VAF3223	3-7	VAF7560	9-21, 9-23
VAE-2517-3	6-7	VAF0006	8-3	VAF3225	3-5, 6-3, 6-5	VAF7677	2-5
VAE-2519-10K	9-31	VAF0019	9-15	VAF3235	3-19	VAF7690	9-15
VAE-2519-12B	8-3, 9-31	VAF0022	3-7, 8-3, 8-7	VAF3250	3-3, 3-21, 3-23, 8-3, 9-9, 9-13, 9-27	VAF7700	8-3
VAE-2519-14M	9-31	VAF0024	2-5, 6-7, 6-9	VAF3325	3-29, 9-25	VAF7750	8-7, 9-15
VAE-2519-20A	9-31	VAF0076	2-3	VAF3350	9-15	VAF7775	8-19
VAE-2519-22A	9-31	VAF0211	2-3	VAF3375	2-5	VAF7825	5-5
VAE-2519-26U	9-31	VAF0255	9-35	VAF3450	6-7	VAF7850	3-17
VAE-2519-35F	9-31	VAF0258	3-3, 3-7, 9-37	VAF3475	3-17	VAF7875	1-6, 1-21, 8-7, 9-9, 9-11, 9-19
VAE-2519-6A	9-31	VAF0270	9-9, 9-11	VAF3500	2-21, 9-25	VAF7975	3-7, 3-21, 9-15
VAE-2519-7A	9-31	VAF0277	3-17, 3-19	VAF3625	1-3	VAF8025	3-17
VAE-2519RK	9-31	VAF0290	1-21	VAF3650	4-25	VAF8050	3-17, 6-7, 6-9
VAE-2553	2-11	VAF0325	2-21, 3-21, 8-7	VAF3675	3-7	VAF8075	2-21, 3-19
VAE-2620-12	4-9	VAF0330	1-3, 3-29	VAF3676	1-21, 6-3, 6-5	VAF8375	1-17
VAE-2620-15	4-9	VAF0350	3-17, 9-19	VAF3710	3-7		
VAE-3921-4	1-5	VAF0400	3-21	VAF3735	3-19		
VAE-4309-13	1-5	VAF0401	3-5	VAF3826	9-21, 9-23		
VAE-4309-16	1-5	VAF0480	4-25	VAF3900	2-5		
VAE-444P	2-11	VAF0500	1-9	VAF4076	3-7		
VAE-446-1	2-11	VAF0555	6-13				
VAE-446-3	2-11	VAF0822	3-29				
VAE-449	2-11	VAF0824	3-3				
VAE-4534-2	6-19	VAF0826	1-9				
VAE-4843	4-25	VAF0950	3-21, 9-25				
VAE-538-10	11-11						





# **VACALL**

*Gradall Industries, Inc.  
406 Mill Ave SW  
New Philadelphia OH. 44663  
USA  
Phone: (330) 339-2211  
Vacall Parts Dept: (800) 382-8302  
Fax: (330) 339-3579*

---